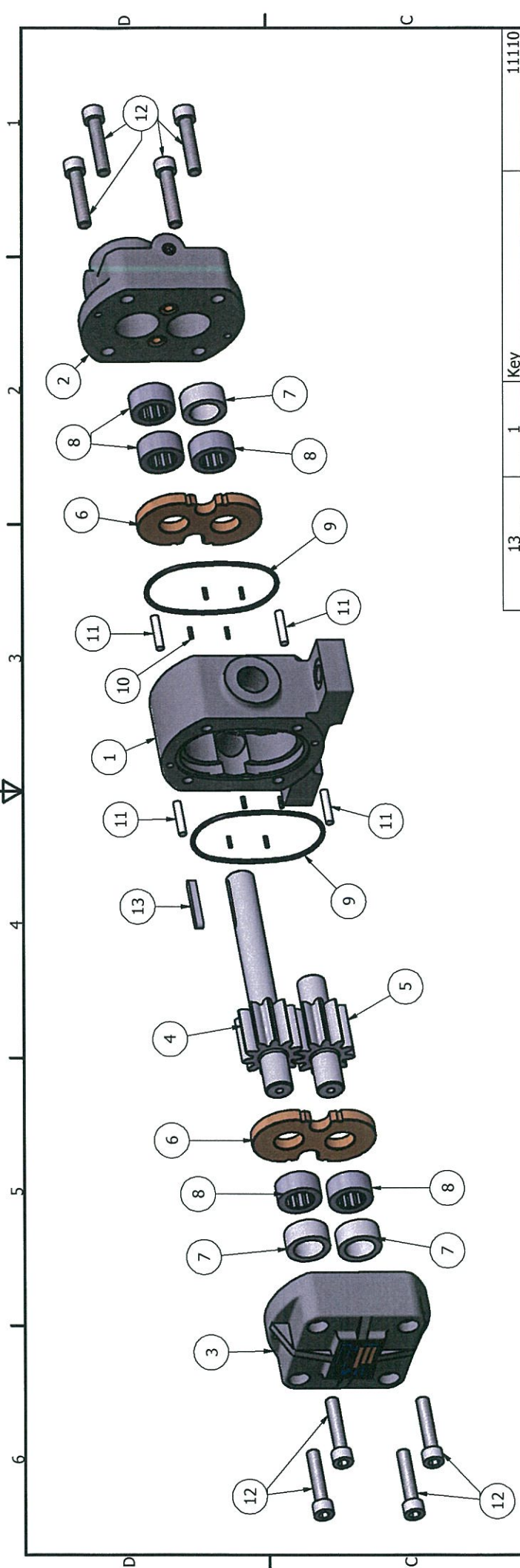


| Item | Qty | Description              | Art. no. |
|------|-----|--------------------------|----------|
| 13   | 1   | Key                      | 11110    |
| 12   | 8   | Unbrako screw            | 250961   |
| 11   | 4   | Guide                    | 12420    |
| 10   | 8   | Sealing with O-ring cord | 251155   |
| 9    | 2   | O-ring                   | 12580    |
| 8    | 5   | Needle bearing           | 10600    |
| 7    | 3   | Bushing                  | 251100   |
| 6    | 2   | Thrust plate             | 250817   |
| 5    | 1   | Gear w/pin               | 250930   |
| 4    | 1   | Gear w/main shaft        | 250926   |
| 3    | 1   | End cover                | 251042   |
| 2    | 1   | Front cover              | 251046   |
| 1    | 1   | Pump housing             | 251029   |
| 14   | 1   | Skilt                    | Messing  |
| 15   | 2   | Nagler                   | Messing  |

|   |                            |
|---|----------------------------|
|  |                            |
| DELTA 600 - 034<br><b>PARTLIST</b>  |                            |
| DRAWN<br>Terje Runnan   | 21.06.2013                 |
| CHECKED<br>EH   | 21.06.2013                 |
| QA  |                            |
| MFG   |                            |
| APPROVED  |                            |
| SIZE<br><b>A3</b>   | DWG NO<br><b>600-034-3</b> |
| SCALE   | SHEET 1 OF 1               |



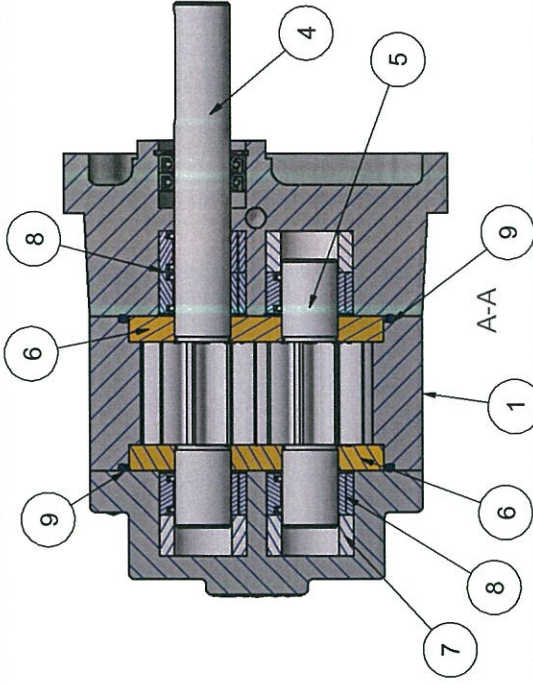
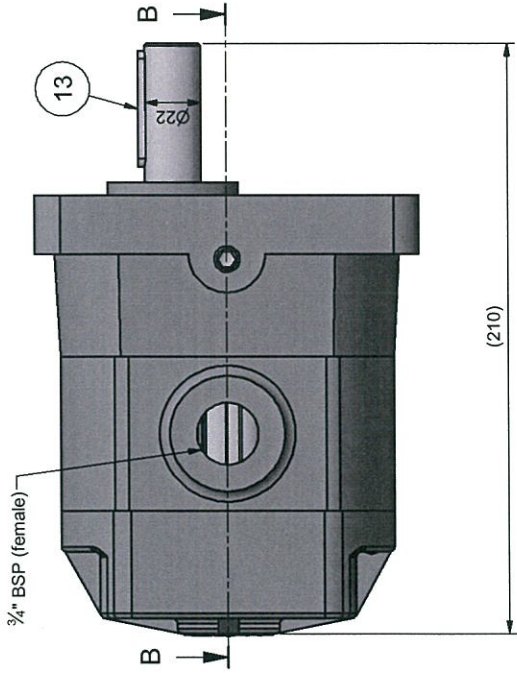
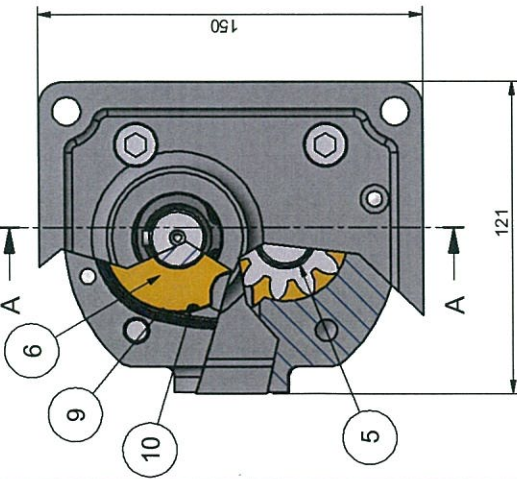
| Item | Qty | Description              | Art. no. |
|------|-----|--------------------------|----------|
| 13   | 1   | Key                      | 11110    |
| 12   | 8   | Unbrako screw            | 250961   |
| 11   | 4   | Guide                    | 12420    |
| 10   | 8   | Sealing with o-ring cord | 251155   |
| 9    | 2   | O-ring                   | 12580    |
| 8    | 5   | Needle bearing           | 10600    |
| 7    | 3   | Bushing                  | 251100   |
| 6    | 2   | Thrustplate              | 250817   |
| 5    | 1   | Gear w/pin               | 250930   |
| 4    | 1   | Gear w/main shaft        | 250926   |
| 3    | 1   | End cover                | 251042   |
| 2    | 1   | Front cover              | 251046   |
| 1    | 1   | Pump housing             | 251029   |

Parts list

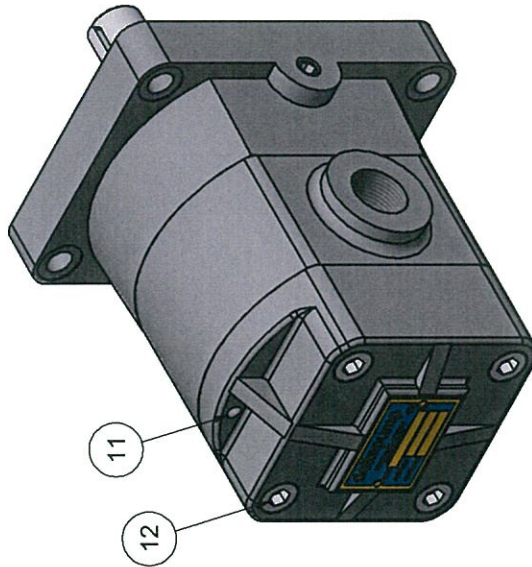
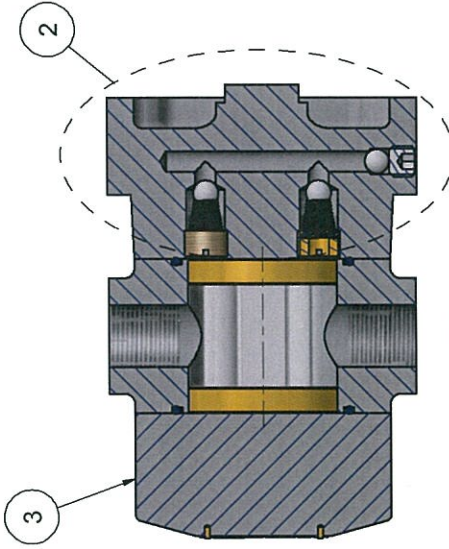
www.deltapump.se

|          |            |                 |           |     |
|----------|------------|-----------------|-----------|-----|
| DRAWN    | 24.06.2013 |                 |           |     |
| CHECKED  |            |                 |           |     |
| EH       | 24.06.2013 | TITLE           |           |     |
| QA       |            | DELTA 600 - 034 |           |     |
| MFG      |            | PARTLIST DETAIL |           |     |
| APPROVED |            | SIZE            | DWG NO    | REV |
|          |            | A3              | 600-034-4 |     |
|          |            | SCALE           |           |     |


SHEET 1 OF 1

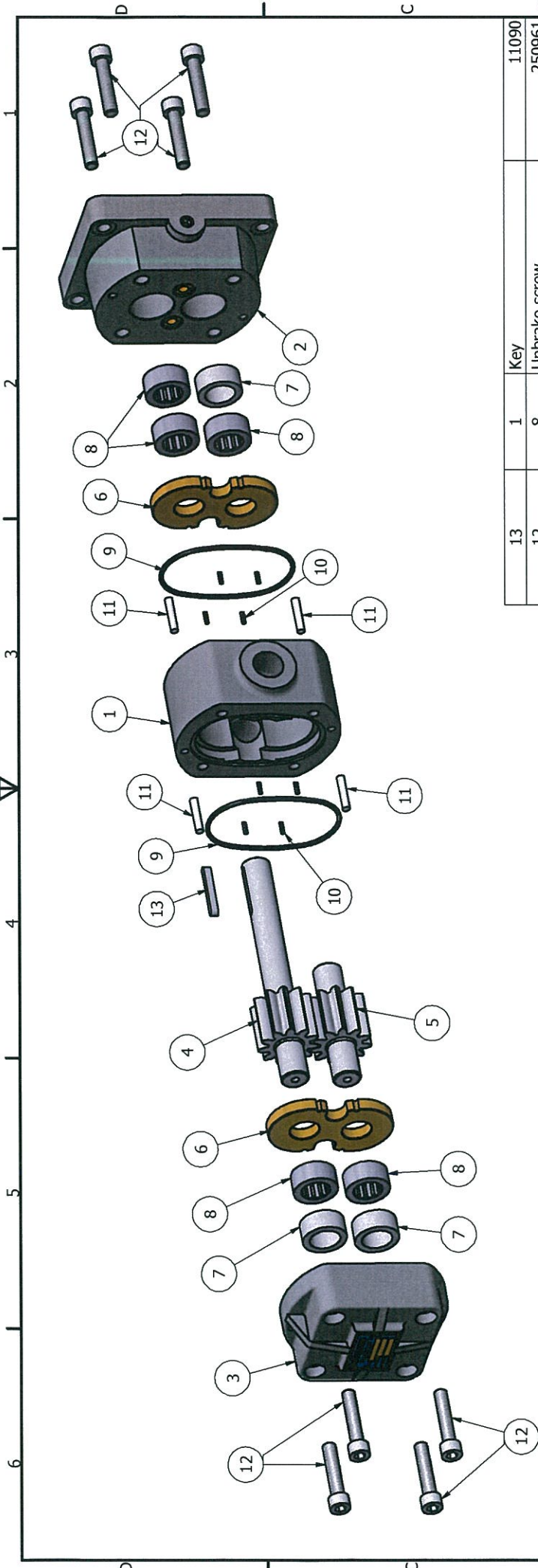


| Item | Qty | Description              | Art. no. |
|------|-----|--------------------------|----------|
| 13   | 1   | Key                      | 11090    |
| 12   | 8   | Unbrako screw            | 250961   |
| 11   | 4   | Guide                    | 12420    |
| 10   | 8   | Sealing with O-ring cord | 251155   |
| 9    | 2   | O-ring                   | 12580    |
| 8    | 5   | Needle bearing           | 10600    |
| 7    | 3   | Bushing                  | 251100   |
| 6    | 2   | Thrust plate             | 250817   |
| 5    | 1   | Gear w/pin               | 250930   |
| 4    | 1   | Gear w/main shaft        | 250926   |
| 3    | 1   | End cover                | 251042   |
| 2    | 1   | Front cover              | 251111   |
| 1    | 1   | Pump housing w/flange    | 251029   |
| 14   | 1   | Skilt                    | Messing  |
| 15   | 2   | Nagler                   | Messing  |



|              |            |
|--------------|------------|
| DRAWN        | 21.06.2013 |
| Terje Runnan |            |
| CHECKED      |            |
| EH           | 21.06.2013 |
| QA           |            |
| MFG          |            |
| APPROVED     |            |

|   |              |
|---|--------------|
|  |              |
| <b>DELTA 600 - 034F</b><br><b>PARTLIST</b>  |              |
| SIZE  | DWG NO       |
| <b>A3</b>   | 600-034F-3   |
| SCALE   |              |
|   | SHEET 1 OF 1 |



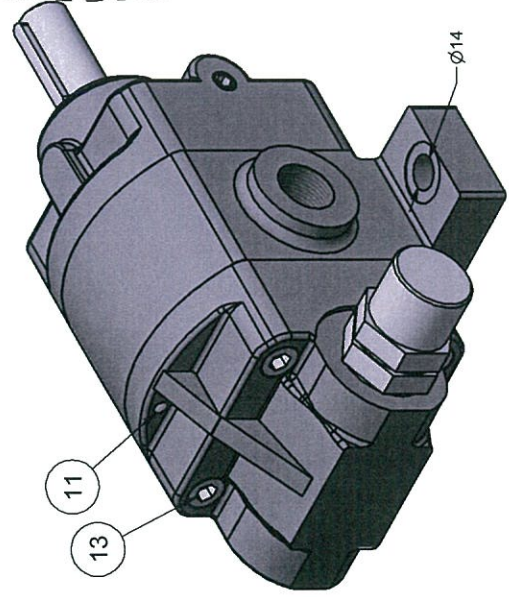
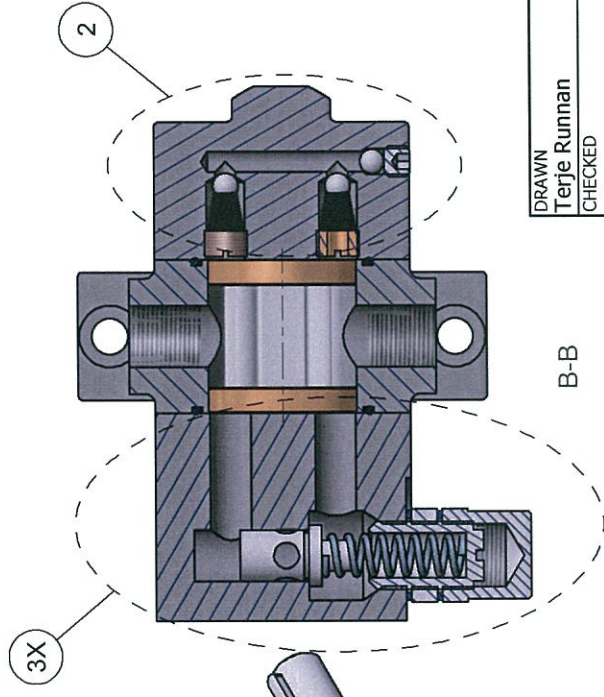
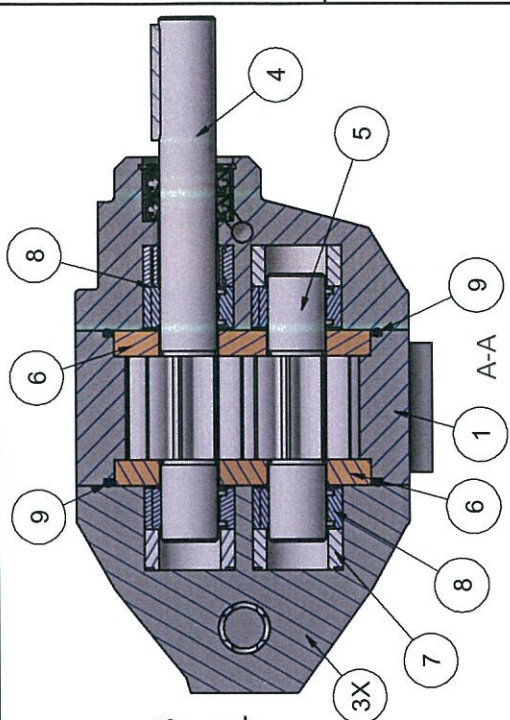
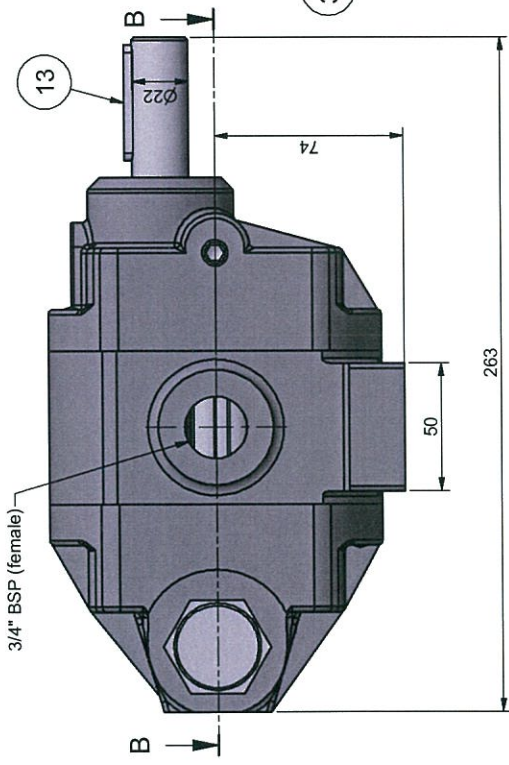
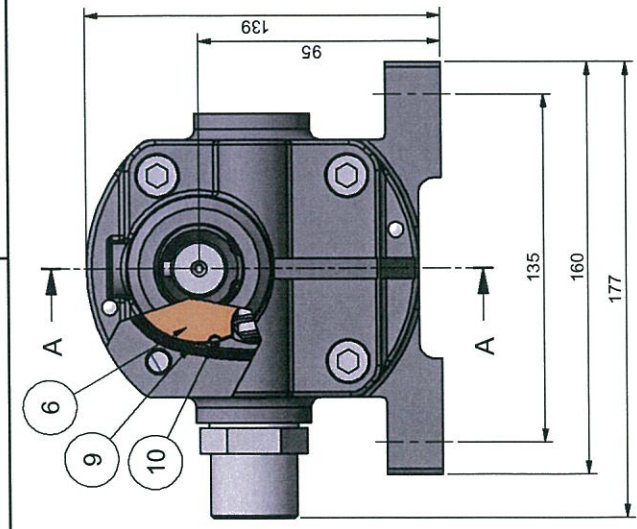
| Item | Qty | Description              | Art. no. |
|------|-----|--------------------------|----------|
| 13   | 1   | Key                      | 11090    |
| 12   | 8   | Unbrako screw            | 250961   |
| 11   | 4   | Guide                    | 12420    |
| 10   | 8   | Sealing with O-ring cord | 251155   |
| 9    | 2   | O-ring                   | 12580    |
| 8    | 5   | Needle bearing           | 10600    |
| 7    | 3   | Bushing                  | 251100   |
| 6    | 2   | Thrust plate             | 250817   |
| 5    | 1   | Gear w/pin               | 250930   |
| 4    | 1   | Gear w/main shaft        | 250926   |
| 3    | 1   | End cover                | 251042   |
| 2    | 1   | Front cover w/flange     | 251111   |
| 1    | 1   | Pump housing             | 251029   |

Parts list




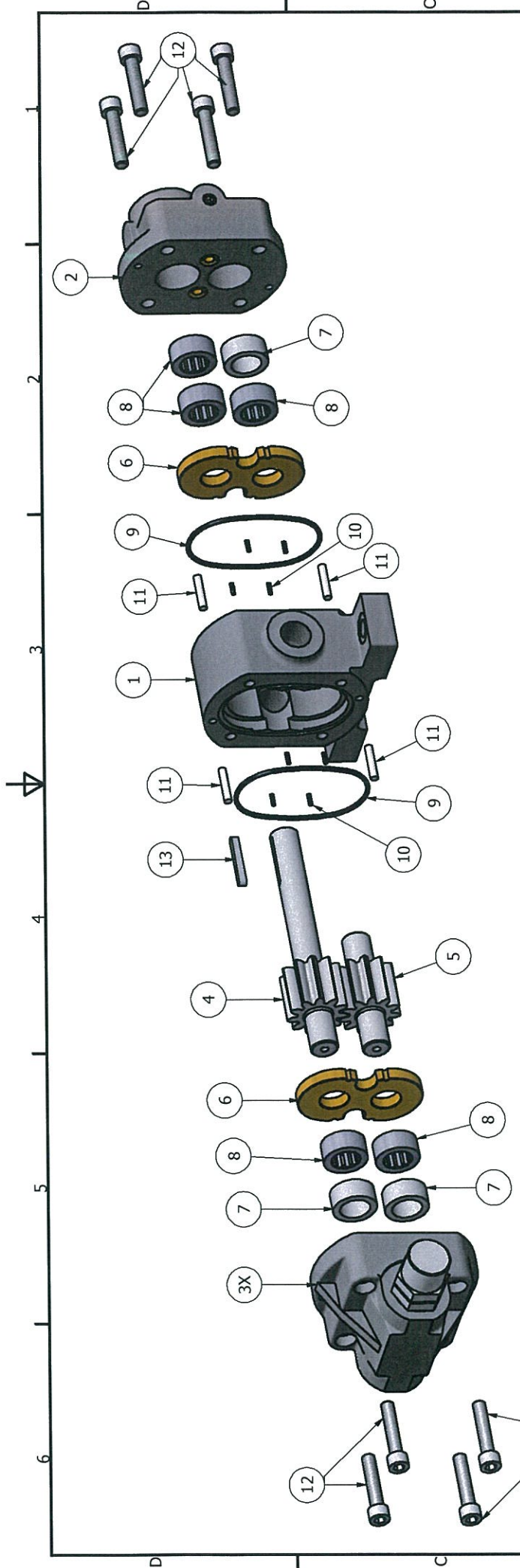
**DELTA 600 - 034F**  
**PARTLIST DETAIL**

|          |            |        |            |
|----------|------------|--------|------------|
| DRAWN    | 24.06.2013 | TITLE  |            |
| CHECKED  |            | SIZE   | A3         |
| EH       | 24.06.2013 | DWG NO | 600-034F-4 |
| QA       |            | SCALE  |            |
| MFG      |            | REV    |            |
| APPROVED |            |        |            |



| Item | Qty | Description               | Art. no. |
|------|-----|---------------------------|----------|
| 13   | 1   | Key                       | 11110    |
| 12   | 8   | Unbrako screw             | 250961   |
| 11   | 4   | Guide                     | 12420    |
| 10   | 8   | Sealing with O-ring cord  | 251155   |
| 9    | 2   | O-ring                    | 12580    |
| 8    | 5   | Needle bearing            | 10600    |
| 7    | 3   | Bushing                   | 251100   |
| 6    | 2   | Thrust plate              | 250817   |
| 5    | 1   | Gear w/pin                | 250930   |
| 4    | 1   | Gear w/main shaft         | 250926   |
| 3X   | 1   | End cover w/ safety valve | 251096   |
| 2    | 1   | Front cover               | 251046   |
| 1    | 1   | Pump housing              | 251029   |

|   |                             |
|---|-----------------------------|
|  |                             |
| <b>DELTA 600 - 034X</b><br><b>PARTLIST</b>  |                             |
| DRAWN<br>Terje Runnan   | 24.06.2013                  |
| CHECKED<br>EH   | 24.06.2013                  |
| QA  |                             |
| MFG   |                             |
| APPROVED  |                             |
| SIZE<br><b>A3</b>   | DWG NO<br><b>600-034X-3</b> |
| SCALE   | REV                         |
|   | SHEET 1 OF 1                |



| Item | Qty | Description              | Art. no. |
|------|-----|--------------------------|----------|
| 13   | 1   | Key                      | 11110    |
| 12   | 8   | Unbrako screw            | 250961   |
| 11   | 4   | Guide                    | 12420    |
| 10   | 8   | Sealing with O-ring cord | 251155   |
| 9    | 2   | O-ring                   | 12580    |
| 8    | 5   | Needle bearing           | 10600    |
| 7    | 3   | Bushing                  | 251100   |
| 6    | 2   | Thrust plate             | 250817   |
| 5    | 1   | Gear w/pin               | 250930   |
| 4    | 1   | Gear w/main shaft        | 250926   |
| 3X   | 1   | End cover w/safety valve | 251096   |
| 2    | 1   | Front cover              | 251046   |
| 1    | 1   | Pump housing             | 251029   |

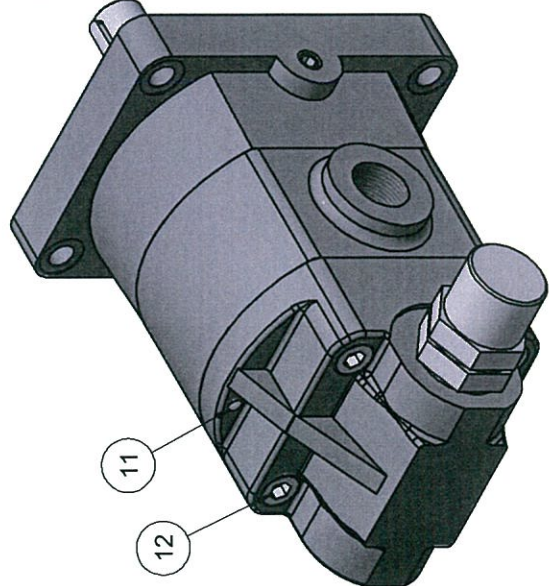
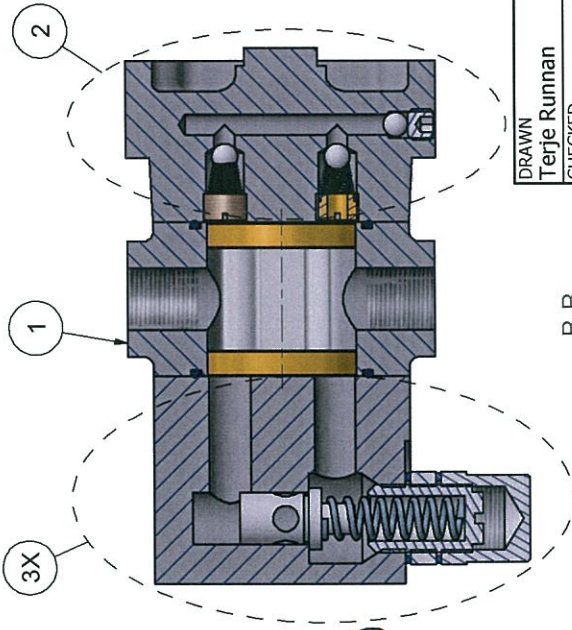
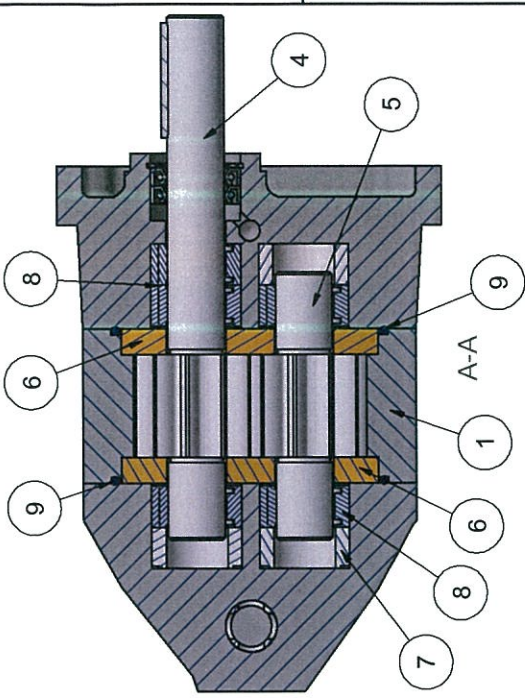
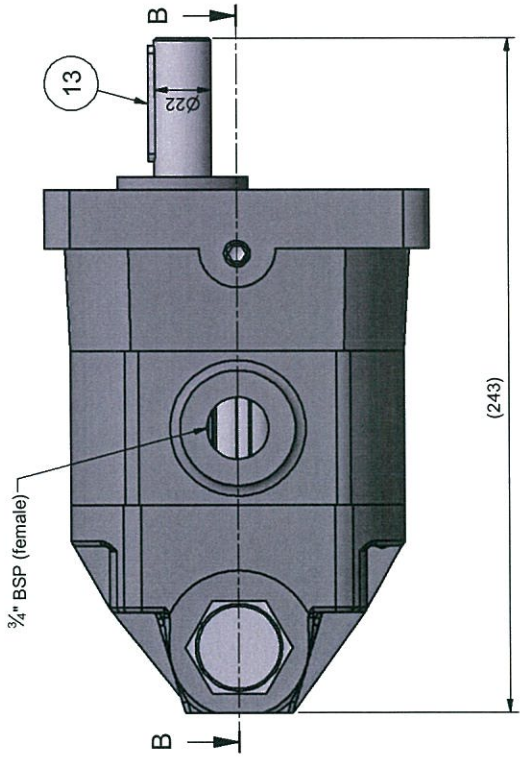
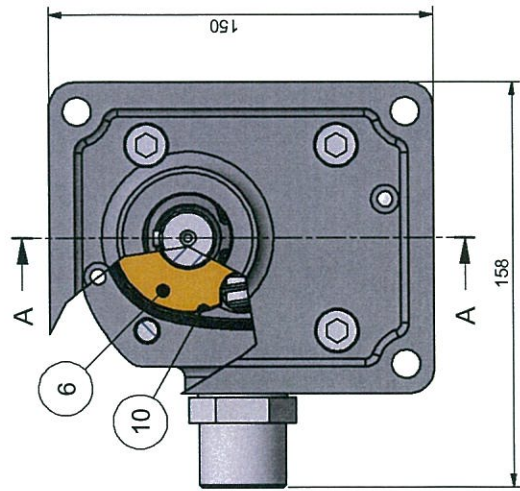
Parts list

**deltapump**  
www.deltapump.no

**DELTA 600 - 034X**  
**PARTLIST DETAIL**

|          |            |       |            |
|----------|------------|-------|------------|
| DRAWN    | 24.06.2013 | TITLE | REV        |
| CHECKED  | 24.06.2013 | SIZE  | DWG NO     |
| EH       |            | A3    | 600-034X-4 |
| QA       |            | SCALE |            |
| MFG      |            |       |            |
| APPROVED |            |       |            |

SHEET 1 OF 1

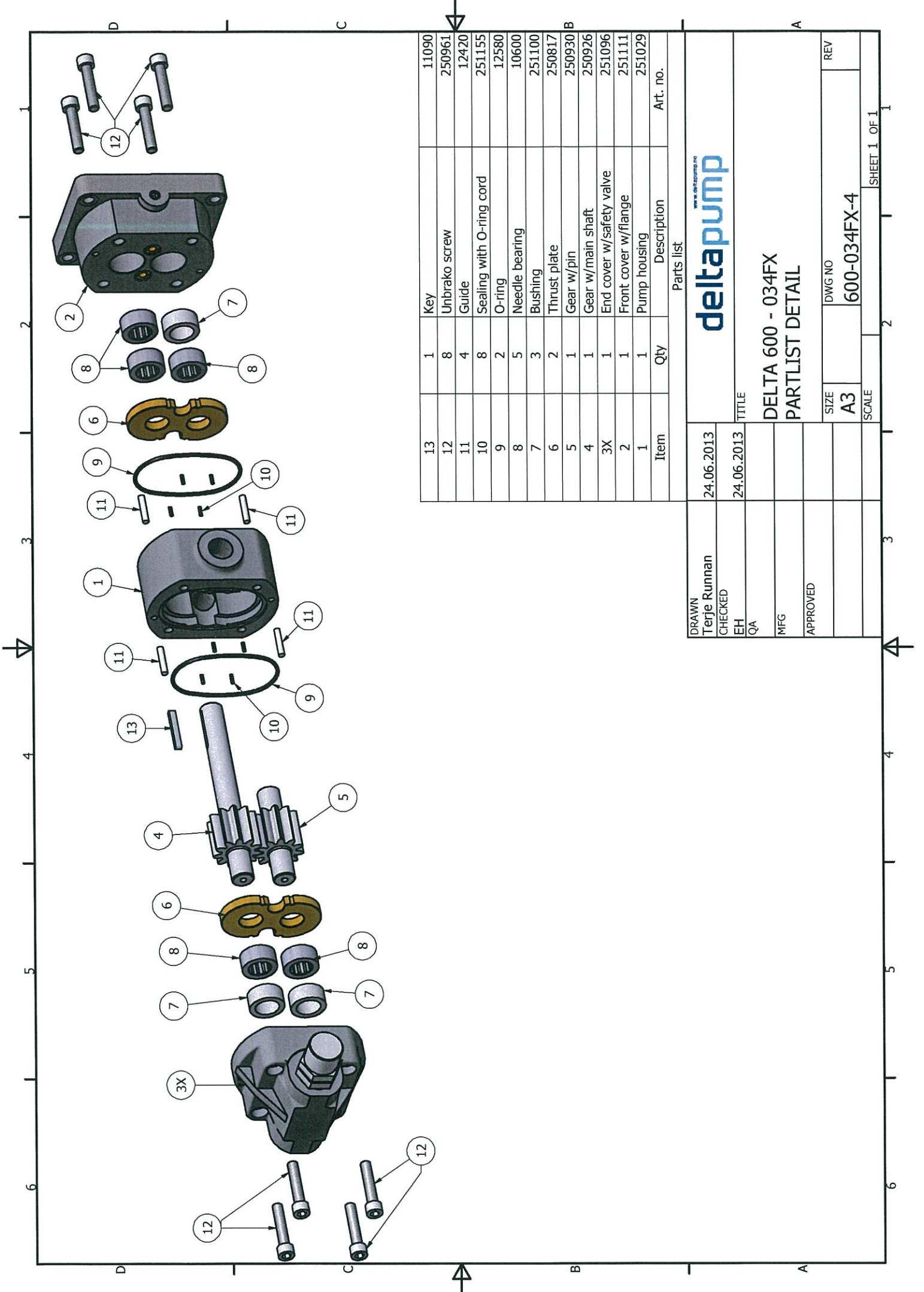


| Item | Qty | Description               | Art. no. |
|------|-----|---------------------------|----------|
| 13   | 1   | Key                       | 11090    |
| 12   | 8   | Unbrako screw             | 250961   |
| 11   | 4   | Guide                     | 12420    |
| 10   | 8   | Sealing with O-ring cord  | 251155   |
| 9    | 2   | O-ring                    | 12580    |
| 8    | 5   | Needle bearing            | 10600    |
| 7    | 3   | Bushing                   | 251100   |
| 6    | 2   | Thrust plate              | 250817   |
| 5    | 1   | Gear w/pin                | 250930   |
| 4    | 1   | Gear w/main shaft         | 250926   |
| 3X   | 1   | End cover w/ safety valve | 251096   |
| 2    | 1   | Front cover w/flange      | 251111   |
| 1    | 1   | Pump housing              | 251029   |


| Parts List   |             |
|--------------|-------------|
| DRAWN        | 24.06.2013  |
| Terje Runnan |             |
| CHECKED      |             |
| EH           | 24.06.2013  |
| QA           |             |
| MFG          |             |
| APPROVED     |             |
| SCALE        |             |
| SIZE         | DWG NO      |
| A3           | 600-034FX-3 |
| REV          |             |



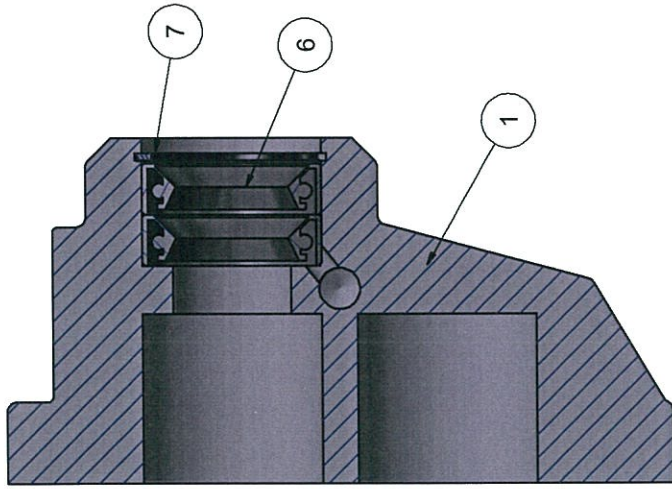
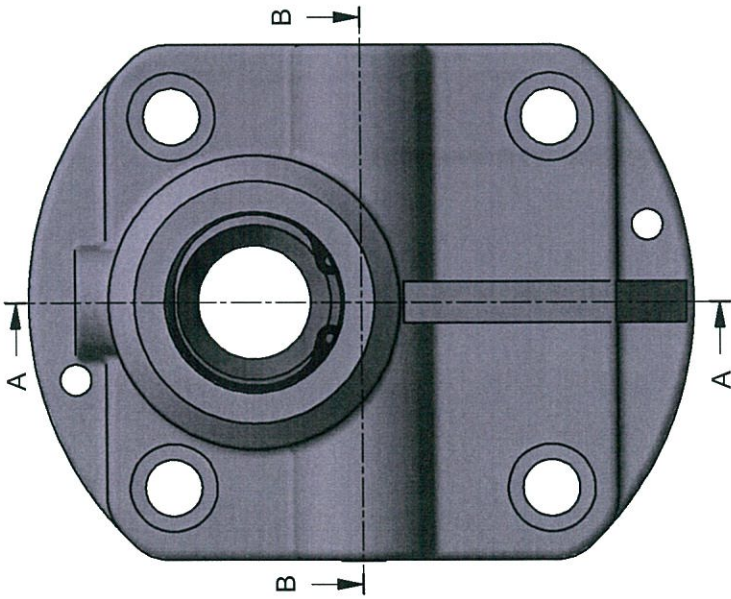
DELTA 600 - 034FX  
PARTLIST



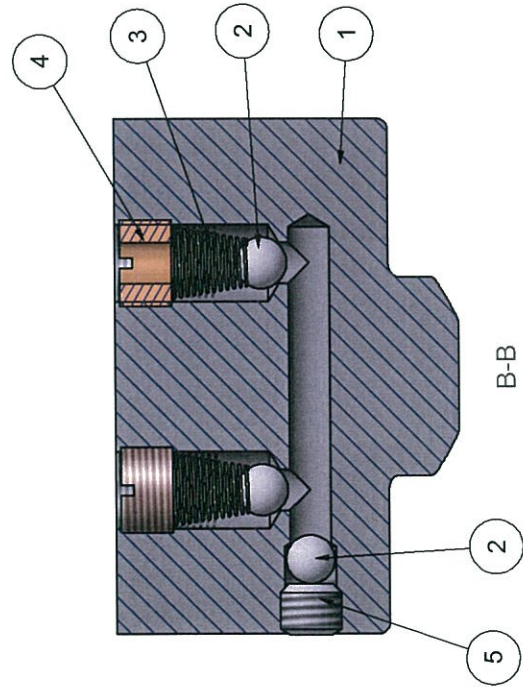
| Item | Qty | Description              | Art. no. |
|------|-----|--------------------------|----------|
| 13   | 1   | Key                      | 11090    |
| 12   | 8   | Unbrako screw            | 250961   |
| 11   | 4   | Guide                    | 12420    |
| 10   | 8   | Sealing with O-ring cord | 251155   |
| 9    | 2   | O-ring                   | 12580    |
| 8    | 5   | Needle bearing           | 10600    |
| 7    | 3   | Bushing                  | 251100   |
| 6    | 2   | Thrust plate             | 250817   |
| 5    | 1   | Gear w/plin              | 250930   |
| 4    | 1   | Gear w/main shaft        | 250926   |
| 3X   | 1   | End cover w/safety valve | 251096   |
| 2    | 1   | Front cover w/flange     | 251111   |
| 1    | 1   | Pump housing             | 251029   |

|  |             |
|--|-------------|
| <b>Parts list</b><br> |             |
| DRAWN  | 24.06.2013  |
| Terje Runnan   |             |
| CHECKED  |             |
| EH   | 24.06.2013  |
| QA   |             |
| MFG  |             |
| APPROVED   |             |
| <b>TITLE</b><br>DELTA 600 - 034FX<br>PARTLIST DETAIL   |             |
| SIZE   | DWG NO      |
| A3   | 600-034FX-4 |
| SCALE  | REV         |
|  |             |

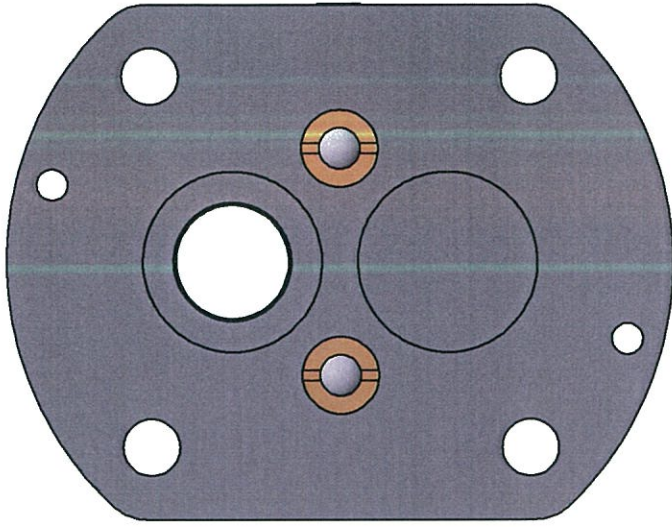




A-A



B-B



| Item | Qty | Description    | Art. no |
|------|-----|----------------|---------|
| 7    | 1   | Seeger ring    | 11300   |
| 6    | 2   | Seal ring      | 10620   |
| 5    | 1   | Unbrako screw  | 251147  |
| 4    | 2   | Valve screw    | 251102  |
| 3    | 2   | Conical spring | 251104  |
| 2    | 3   | Ball           | 11830   |
| 1    | 1   | Front cover    | 251046  |

Parts List

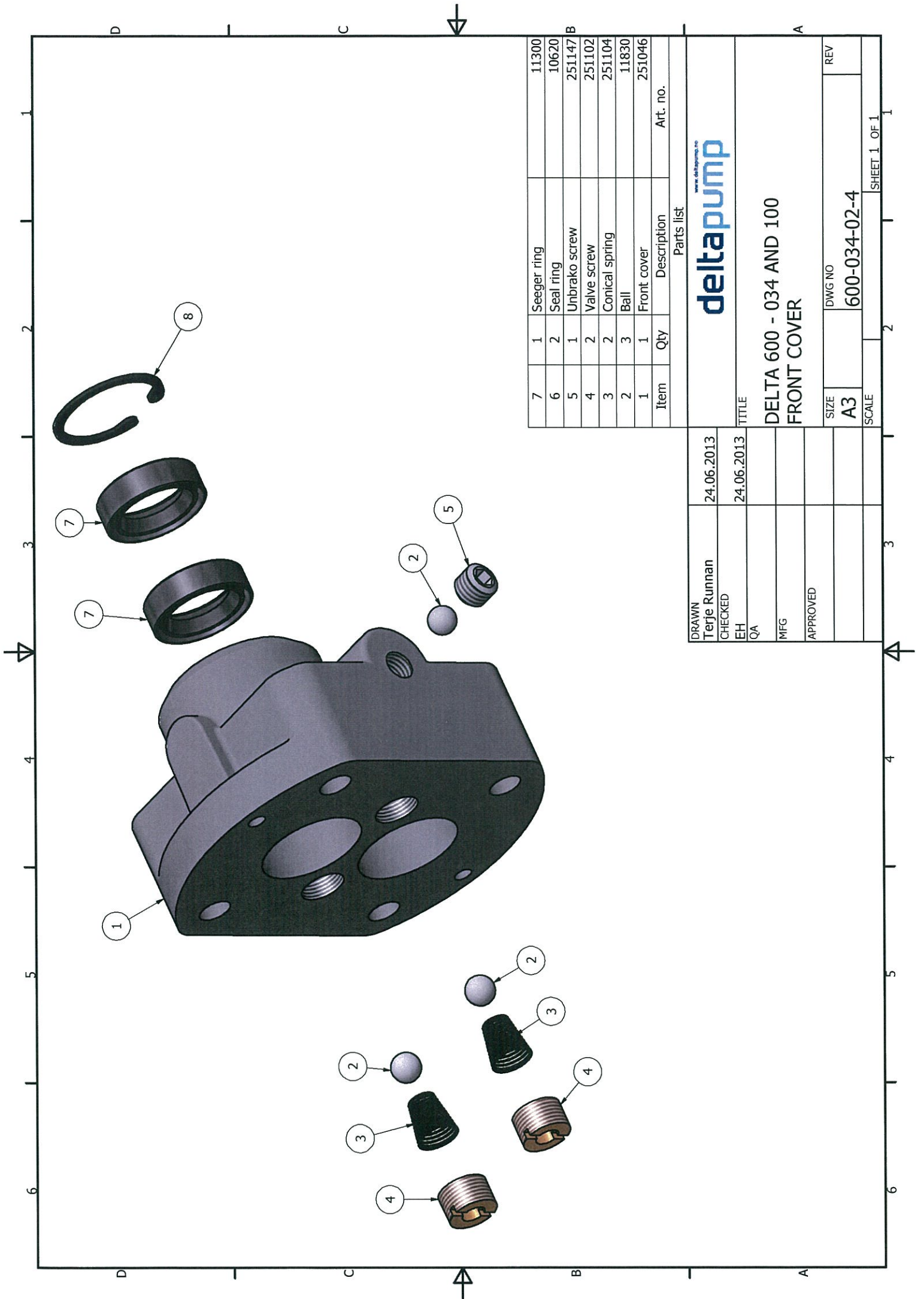


|              |            |
|--------------|------------|
| DRAWN        | 24.06.2013 |
| Terje Runnan |            |
| CHECKED      |            |
| EH           | 24.06.2013 |
| QA           |            |
| MFG          |            |
| APPROVED     |            |

TITLE

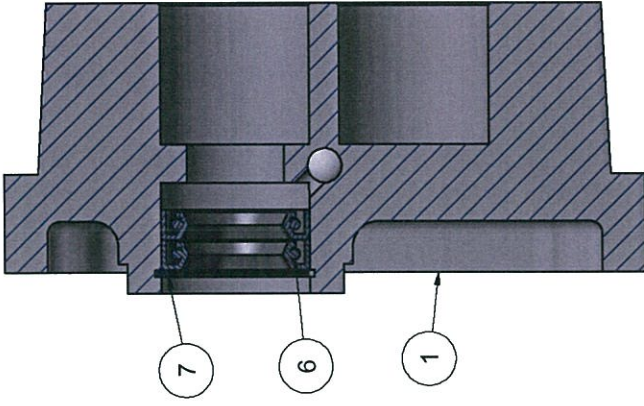
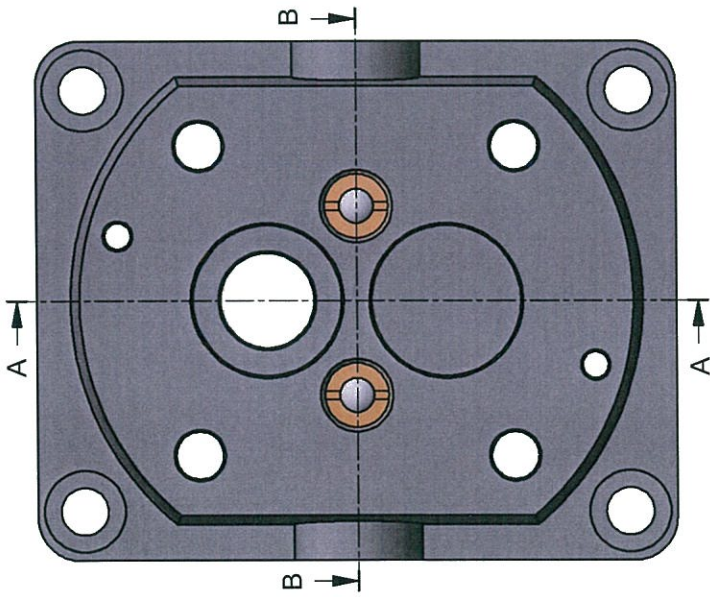
DELTA 600 - 034 AND 100  
FRONT COVER

|       |              |     |
|-------|--------------|-----|
| SIZE  | DWG NO       | REV |
| A3    | 600-034-02-2 |     |
| SCALE | SHEET 1 OF 1 |     |

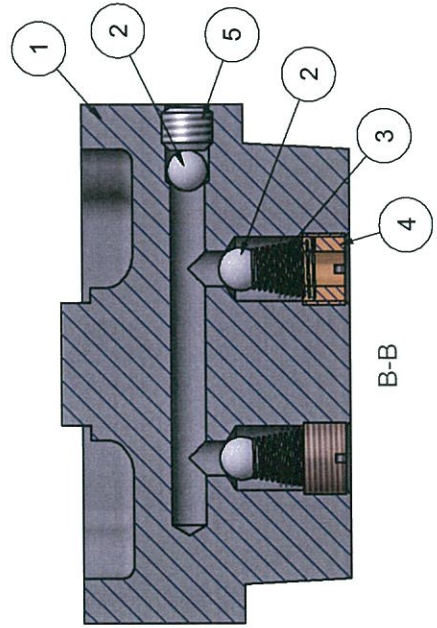


| Item | Qty | Description    | Art. no. |
|------|-----|----------------|----------|
| 7    | 1   | Seeger ring    | 11300    |
| 6    | 2   | Seal ring      | 10620    |
| 5    | 1   | Unbrako screw  | 251147   |
| 4    | 2   | Valve screw    | 251102   |
| 3    | 2   | Conical spring | 251104   |
| 2    | 3   | Ball           | 11830    |
| 1    | 1   | Front cover    | 251046   |

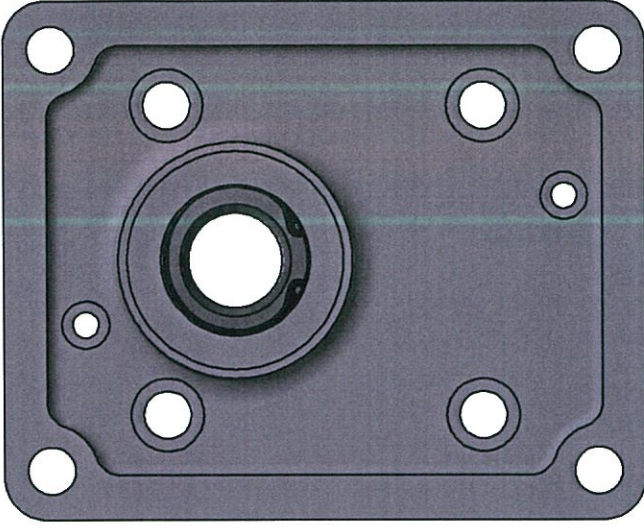
|   |                        |
|---|------------------------|
|  |                        |
| DELTA 600 - 034 AND 100<br>FRONT COVER  |                        |
| DRAWN<br>Terje Runnan   | 24.06.2013             |
| CHECKED<br>EH   | 24.06.2013             |
| QA  |                        |
| MFG   |                        |
| APPROVED  |                        |
| TITLE   |                        |
| SIZE<br>A3  | DWG NO<br>600-034-02-4 |
| SCALE   |                        |



A-A



B-B

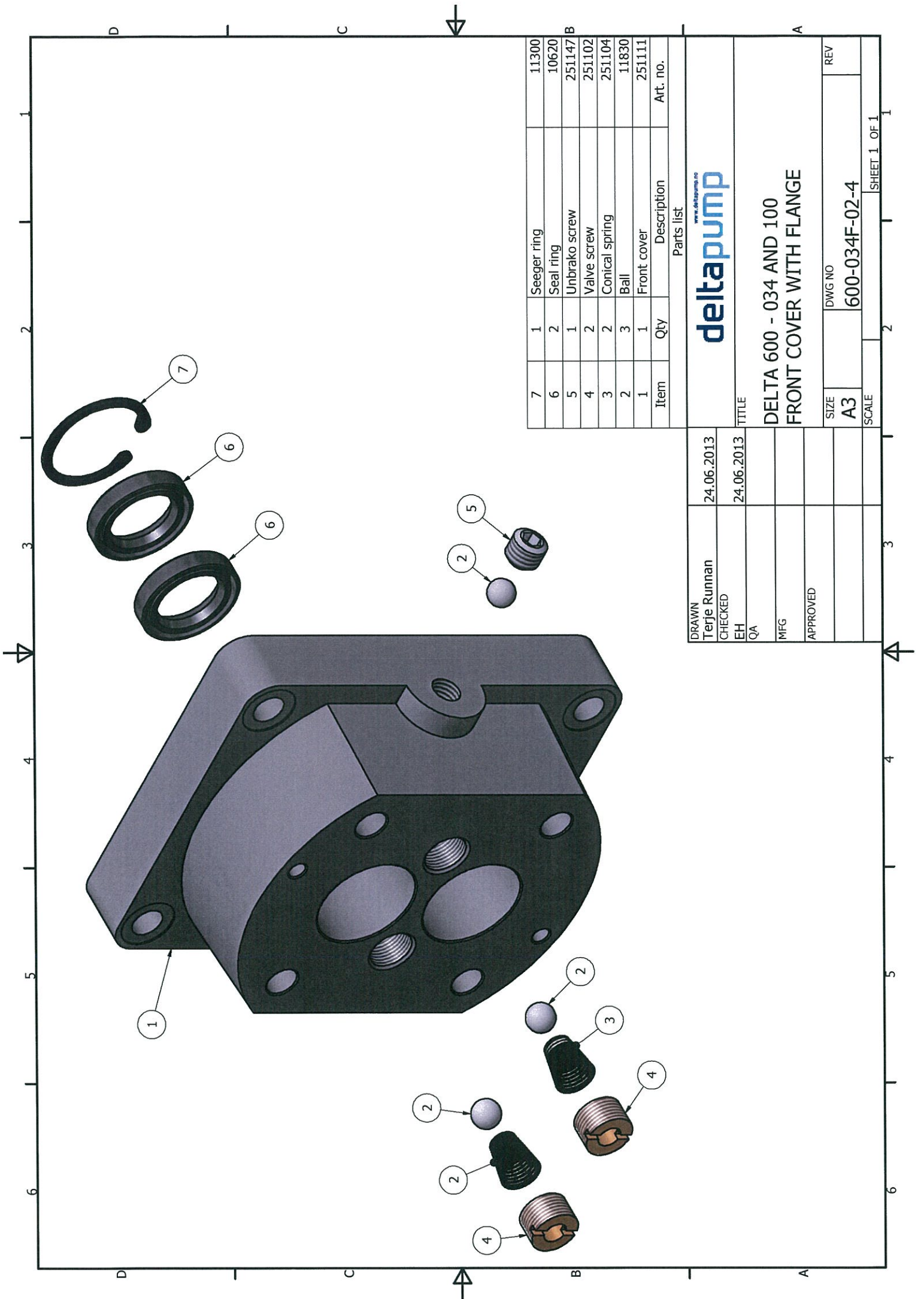


| Item | Qty | Description    | Art. no. |
|------|-----|----------------|----------|
| 7    | 1   | Seeger ring    | 11300    |
| 6    | 2   | Seal ring      | 10620    |
| 5    | 1   | Unbrako screw  | 251147   |
| 4    | 2   | Valve screw    | 251102   |
| 3    | 2   | Conical spring | 251104   |
| 2    | 3   | Ball           | 11830    |
| 1    | 1   | Front cover    | 251111   |

Parts List

**deltapump**  
www.deltapump.no

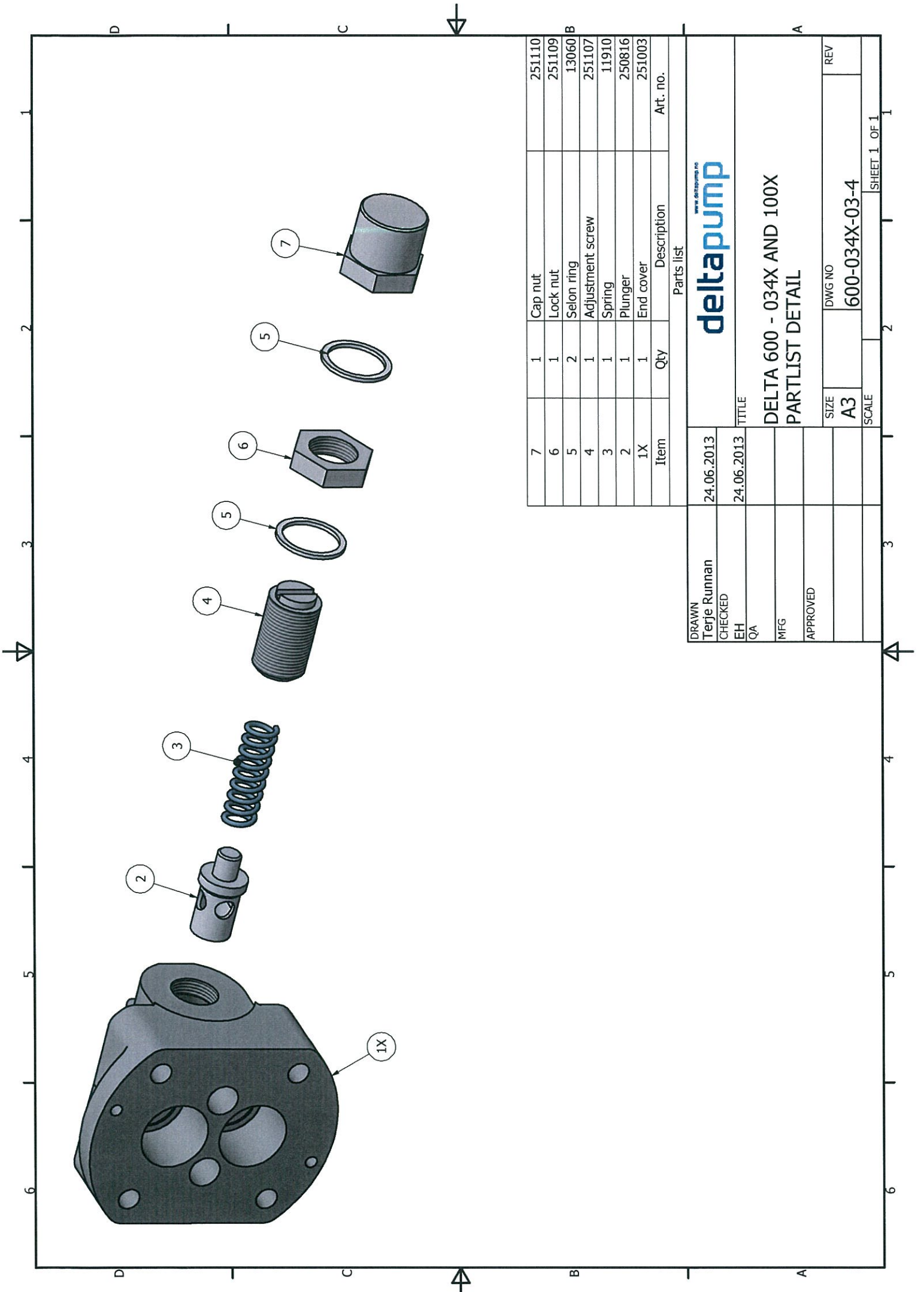
|                         |               |
|-------------------------|---------------|
| DRAWN                   | 24.06.2013    |
| Terje Runnan            |               |
| CHECKED                 | 24.06.2013    |
| EH                      |               |
| QA                      |               |
| MFG                     |               |
| APPROVED                |               |
| TITLE                   |               |
| DELTA 600 - 034 AND 100 |               |
| FRONT COVER WITH FLANGE |               |
| SIZE                    | DWG NO        |
| A3                      | 600-034F-02-2 |
| SCALE                   | REV           |
|                         |               |



| Item | Qty | Description    | Art. no. |
|------|-----|----------------|----------|
| 7    | 1   | Seeger ring    | 11300    |
| 6    | 2   | Seal ring      | 10620    |
| 5    | 1   | Unbrako screw  | 251147   |
| 4    | 2   | Valve screw    | 251102   |
| 3    | 2   | Conical spring | 251104   |
| 2    | 3   | Ball           | 11830    |
| 1    | 1   | Front cover    | 251111   |

| Parts list  |               |
|---|---------------|
| <b>deltapump</b><br><small>www.deltapump.no</small> |               |
| TITLE   |               |
| DELTA 600 - 034 AND 100<br>FRONT COVER WITH FLANGE  |               |
| SIZE  | DWG NO        |
| A3  | 600-034F-02-4 |
| SCALE   |               |
| SHEET 1 OF 1  |               |

|              |            |
|--------------|------------|
| DRAWN        | 24.06.2013 |
| Terje Runnan |            |
| CHECKED      | 24.06.2013 |
| EH           |            |
| QA           |            |
| MFG          |            |
| APPROVED     |            |



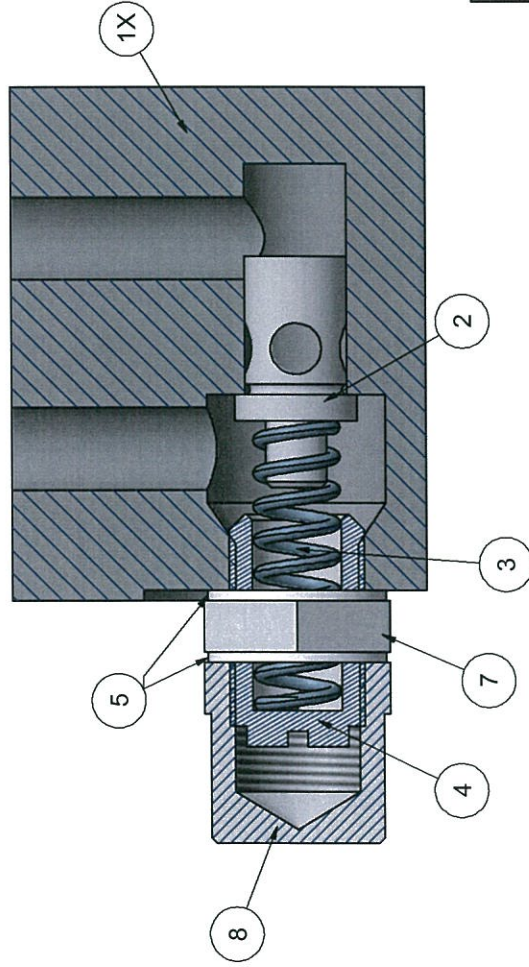
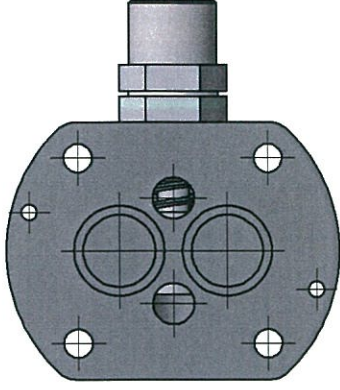
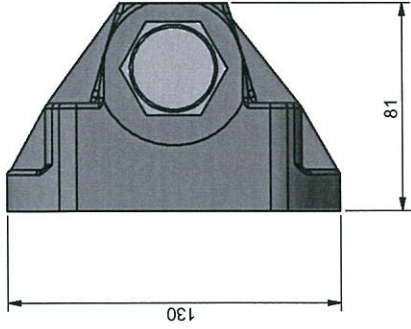
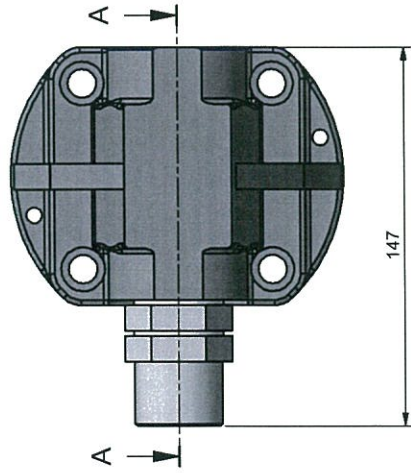
| Item | Qty | Description      | Art. no. |
|------|-----|------------------|----------|
| 7    | 1   | Cap nut          | 251110   |
| 6    | 1   | Lock nut         | 251109   |
| 5    | 2   | Selon ring       | 13060 B  |
| 4    | 1   | Adjustment screw | 251107   |
| 3    | 1   | Spring           | 11910    |
| 2    | 1   | Plunger          | 250816   |
| 1X   | 1   | End cover        | 251003   |

Parts list

**deltapump**  
www.deltapump.no

**DELTA 600 - 034X AND 100X**  
**PARTLIST DETAIL**

|          |            |               |              |
|----------|------------|---------------|--------------|
| DRAWN    | 24.06.2013 |               |              |
| CHECKED  |            |               |              |
| EH       | 24.06.2013 | TITLE         |              |
| QA       |            |               |              |
| MFG      |            |               |              |
| APPROVED |            |               |              |
|          |            | SIZE          | REV          |
|          |            | A3            |              |
|          |            | DWG NO        |              |
|          |            | 600-034X-03-4 |              |
|          |            | SCALE         |              |
|          |            |               | SHEET 1 OF 1 |



| Item | Qty | Description      | Art. no. |
|------|-----|------------------|----------|
| 8    | 1   | Cap nut          | 251110   |
| 7    | 1   | Lock nut         | 251109   |
| 5    | 2   | Selon ring       | 13060    |
| 4    | 1   | Adjustment screw | 251107   |
| 3    | 1   | Spring           | 11910    |
| 2    | 1   | Plunger          | 250816   |
| 1X   | 1   | End cover        | 251003   |

| Parts List   |                         |
|--|-------------------------|
| DRAWN<br>Terje Runnan                              | 24.06.2013              |
| CHECKED<br>EH                                      | 24.06.2013              |
| QA   |                         |
| MFG  |                         |
| APPROVED   |                         |
| TITLE  |                         |
| DELTA 034X AND 100X<br>END COVER WITH SAFETY VALVE |                         |
| SIZE<br>A3   | DWG NO<br>600-034X-03-2 |
| SCALE  | REV                     |
|  | SHEET 1 OF 1            |

[www.deltapump.no](http://www.deltapump.no)  
**deltapump**

A-A