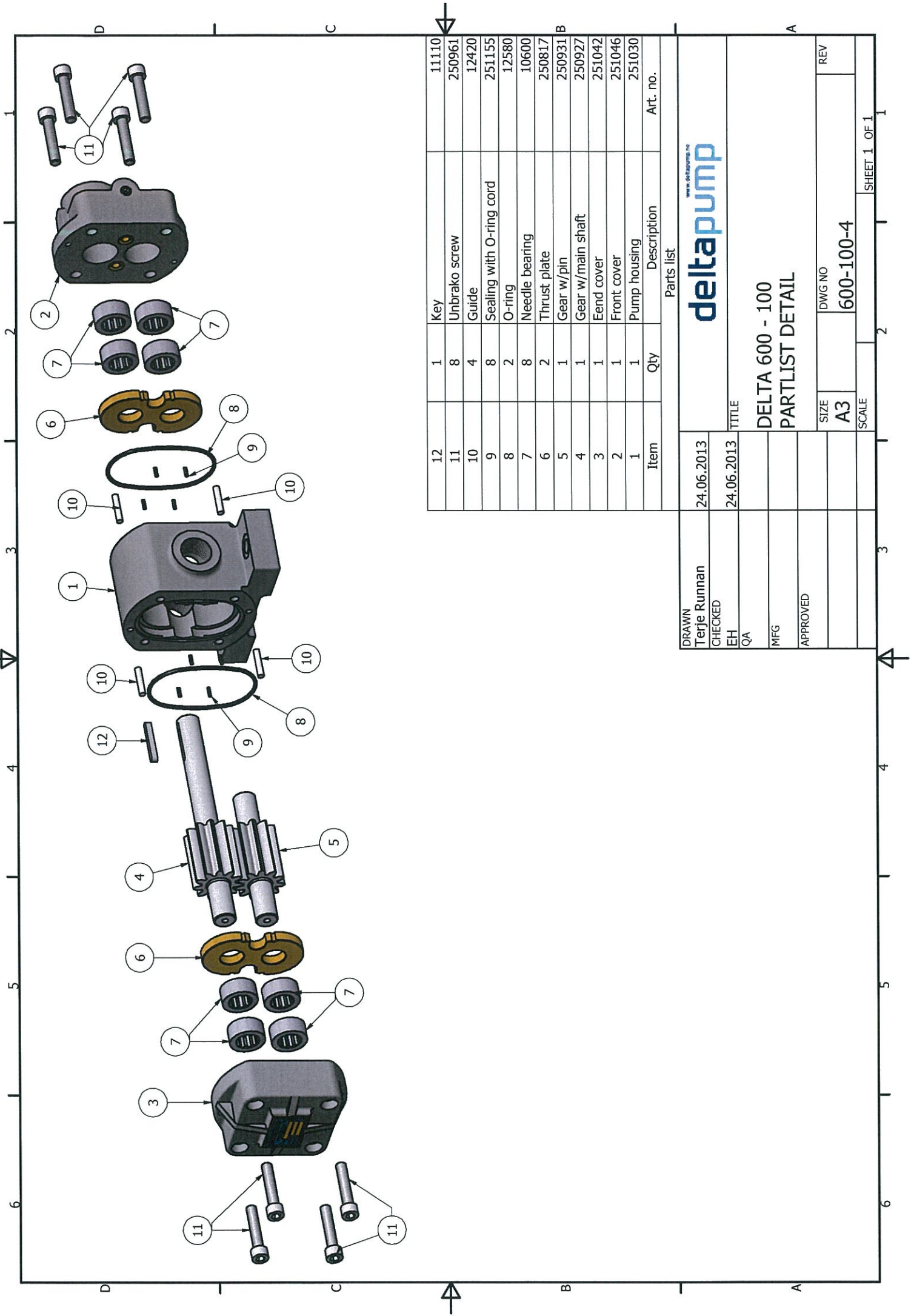



| Item | Qty | Description              | Art. no. |
|------|-----|--------------------------|----------|
| 1    | 1   | Key                      | 11110    |
| 2    | 1   | Needle bearing           | 10600    |
| 3    | 1   | End cover                | 251042   |
| 4    | 1   | Gear w/main shaft        | 250927   |
| 5    | 1   | Gear w/pin               | 250931   |
| 6    | 2   | Thrust plate             | 250817   |
| 7    | 8   | O-ring                   | 12580    |
| 8    | 8   | Sealing with O-ring cord | 251155   |
| 9    | 8   | Unbrako screw            | 250961   |
| 10   | 4   | Guide                    | 12420    |
| 11   | 8   | Key                      | 11110    |
| 12   | 1   | Pump housing             | 251030   |

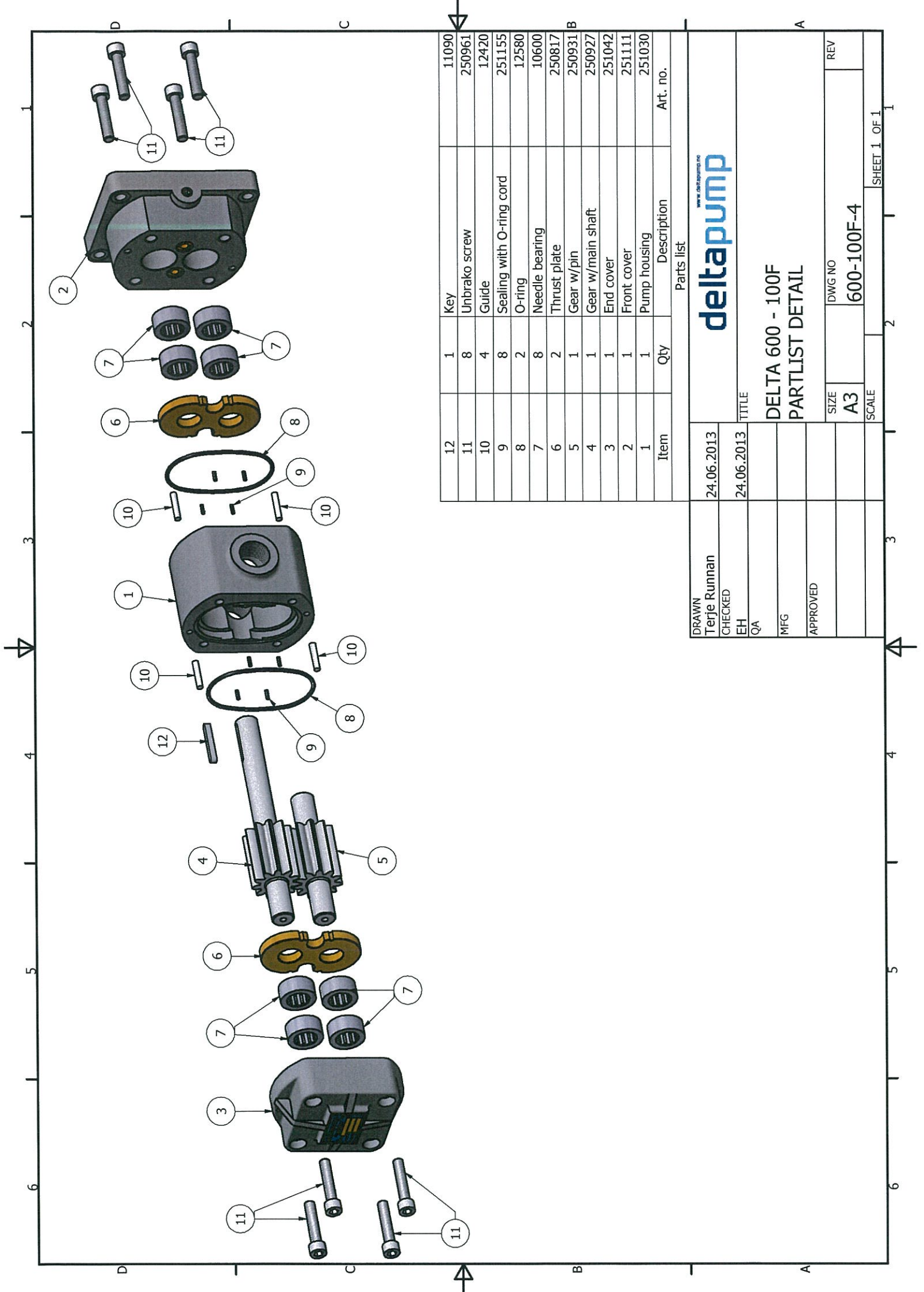
|                       |    |            |                   |   |
|-----------------------|----|------------|-------------------|---|
| DRAWN<br>Terje Runnan |    | 24.06.2013 |                   | <b>DELTA 600 - 100</b><br><b>PARTLIST</b> |
| CHECKED<br>EH         | QA | 24.06.2013 |                   |   |
| MFG                   |    |            | SIZE<br><b>A3</b> | DWG NO<br><b>600-100-3</b>                |
| APPROVED              |    |            | SCALE             | REV                                       |
|                       |    |            |                   | <b>600-100-3</b>                          |
|                       |    |            |                   | SHEET 1 OF 1                              |



| Item | Qty | Description              | Art. no. |
|------|-----|--------------------------|----------|
| 12   | 1   | Key                      | 11110    |
| 11   | 8   | Unbrako screw            | 250961   |
| 10   | 4   | Guide                    | 12420    |
| 9    | 8   | Sealing with O-ring cord | 251155   |
| 8    | 2   | O-ring                   | 12580    |
| 7    | 8   | Needle bearing           | 10600    |
| 6    | 2   | Thrust plate             | 250817   |
| 5    | 1   | Gear w/pin               | 250931   |
| 4    | 1   | Gear w/main shaft        | 250927   |
| 3    | 1   | End cover                | 251042   |
| 2    | 1   | Front cover              | 251046   |
| 1    | 1   | Pump housing             | 251030   |

| Parts list  |            |
|---|------------|
| DRAWN   | 24.06.2013 |
| Terje Runnan  |            |
| CHECKED   |            |
| EH  | 24.06.2013 |
| QA  |            |
| MFG   |            |
| APPROVED  |            |
|  |            |
| TITLE   |            |
| DELTA 600 - 100   |            |
| PARTLIST DETAIL   |            |
| SIZE  | DWG NO     |
| A3  | 600-100-4  |
| SCALE   | REV        |
|   |            |

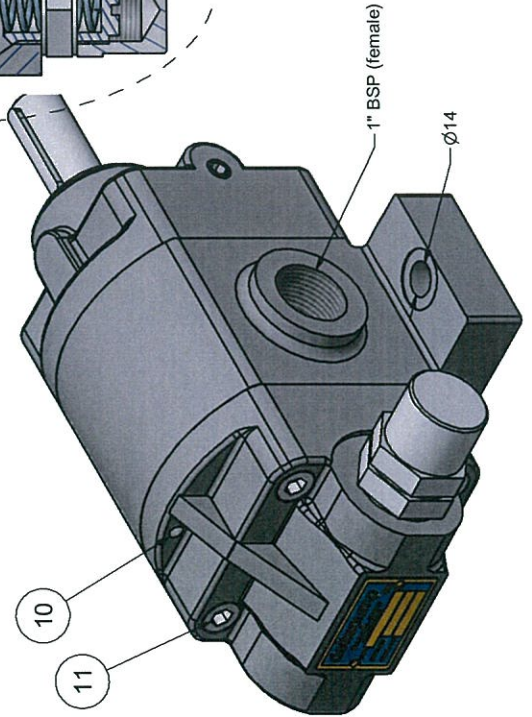
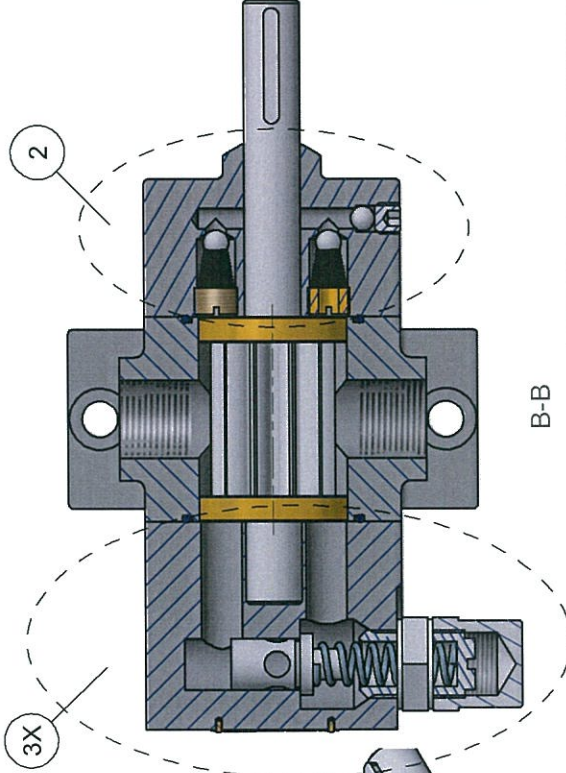
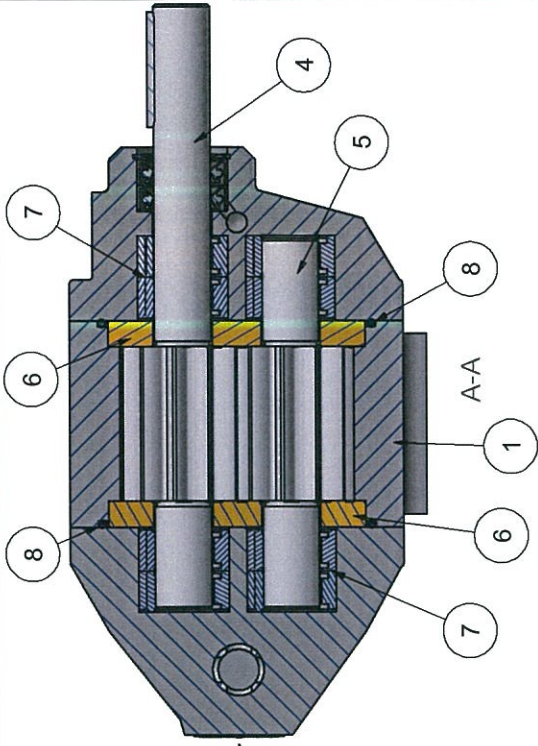
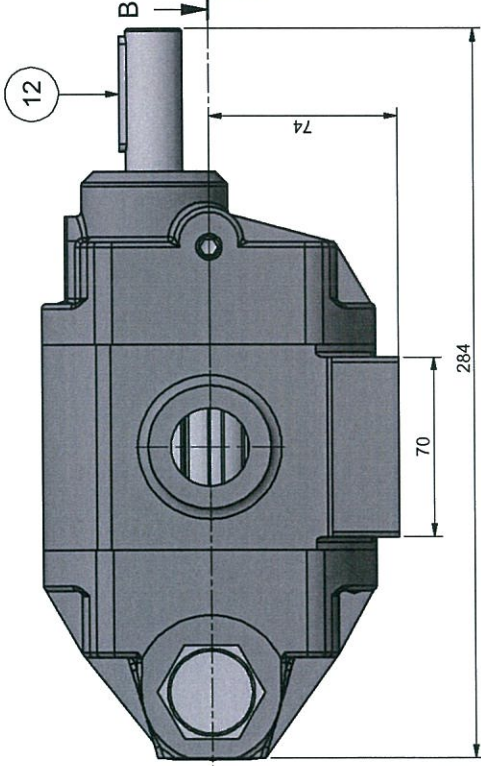
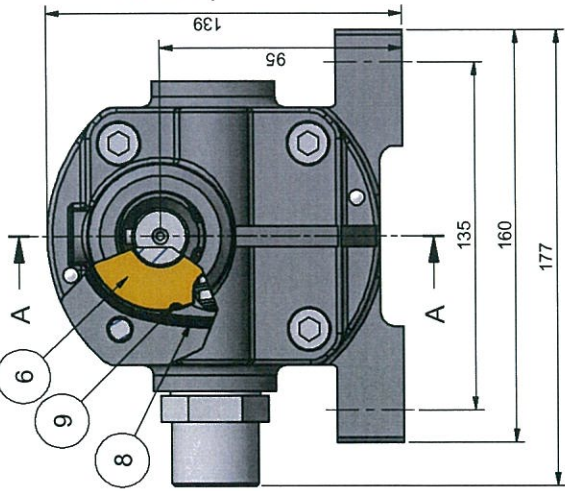




| Item | Qty | Description              | Art. no. |
|------|-----|--------------------------|----------|
| 12   | 1   | Key                      | 11090    |
| 11   | 8   | Unbrako screw            | 250961   |
| 10   | 4   | Guide                    | 12420    |
| 9    | 8   | Sealing with O-ring cord | 251155   |
| 8    | 2   | O-ring                   | 12580    |
| 7    | 8   | Needle bearing           | 10600    |
| 6    | 2   | Thrust plate             | 250817   |
| 5    | 1   | Gear w/pin               | 250931   |
| 4    | 1   | Gear w/main shaft        | 250927   |
| 3    | 1   | End cover                | 251042   |
| 2    | 1   | Front cover              | 251111   |
| 1    | 1   | Pump housing             | 251030   |

| Parts list       |            |
|------------------|------------|
| DRAWN            | 24.06.2013 |
| Terje Runnan     |            |
| CHECKED          |            |
| EH               |            |
| QA               |            |
| MFG              |            |
| APPROVED         |            |
| TITLE            |            |
| DELTA 600 - 100F |            |
| PARTLIST DETAIL  |            |
| SIZE             | DWG NO     |
| A3               | 600-100F-4 |
| SCALE            | REV        |
|                  |            |




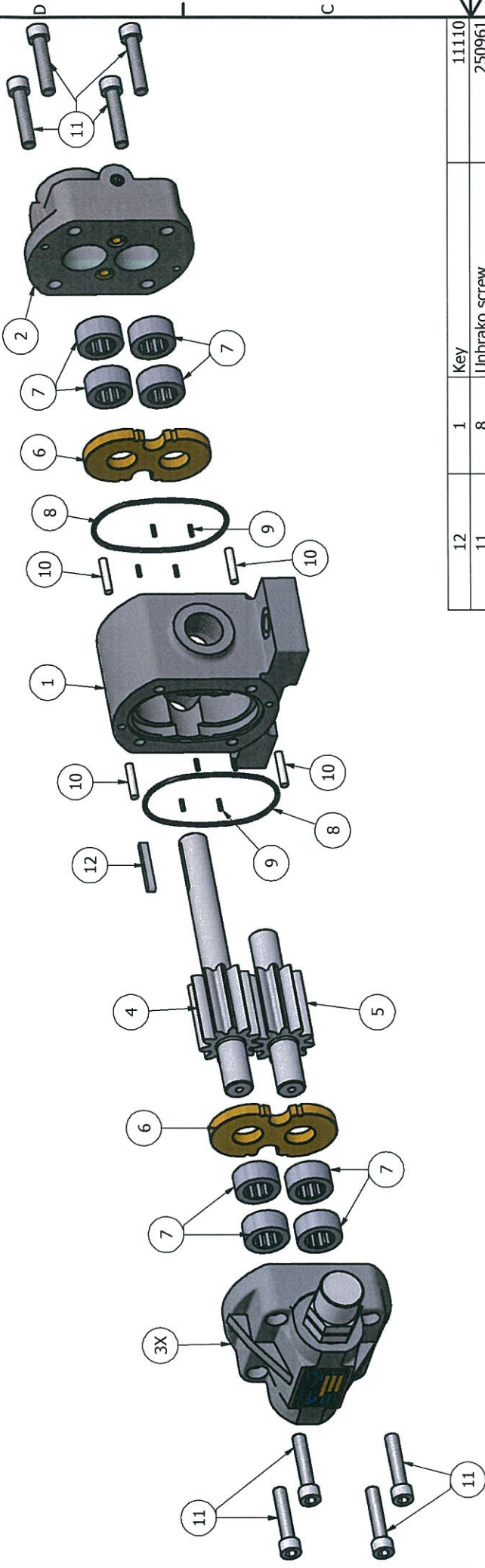


| Item | Qty | Description               | Art. no. |
|------|-----|---------------------------|----------|
| 12   | 1   | Key                       | 11110    |
| 11   | 8   | Unbrako screw             | 250961   |
| 10   | 4   | Guide                     | 12420    |
| 9    | 8   | Sealing with O-ring cord  | 251155   |
| 8    | 2   | O-ring                    | 12580    |
| 7    | 8   | Needle bearing            | 10600    |
| 6    | 2   | Thrust plate              | 250817   |
| 5    | 1   | Gear w/pin                | 250931   |
| 4    | 1   | Gear w/main shaft         | 250927   |
| 3X   | 1   | End Cover w/ safety valve | 251096   |
| 2    | 1   | Front cover               | 251046   |
| 1    | 1   | Pump housing              | 251030   |


Parts List

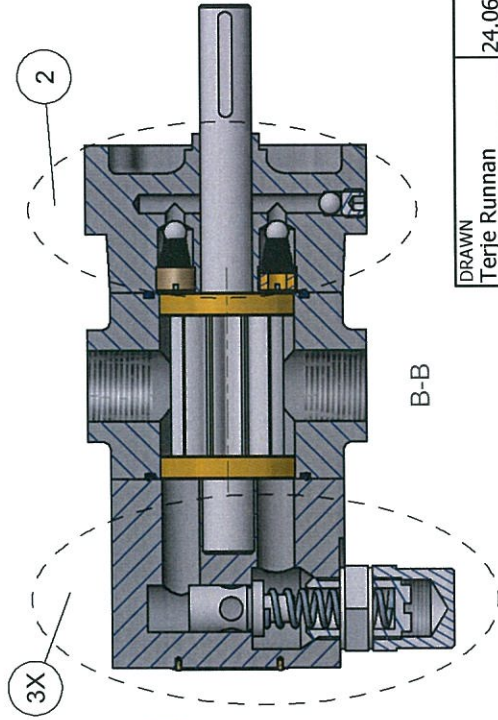
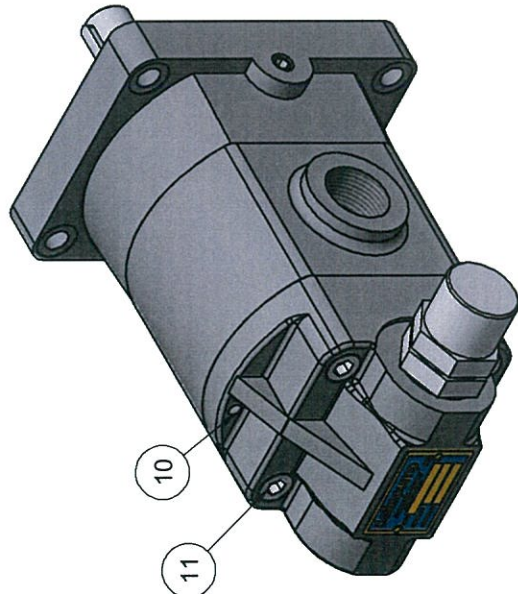
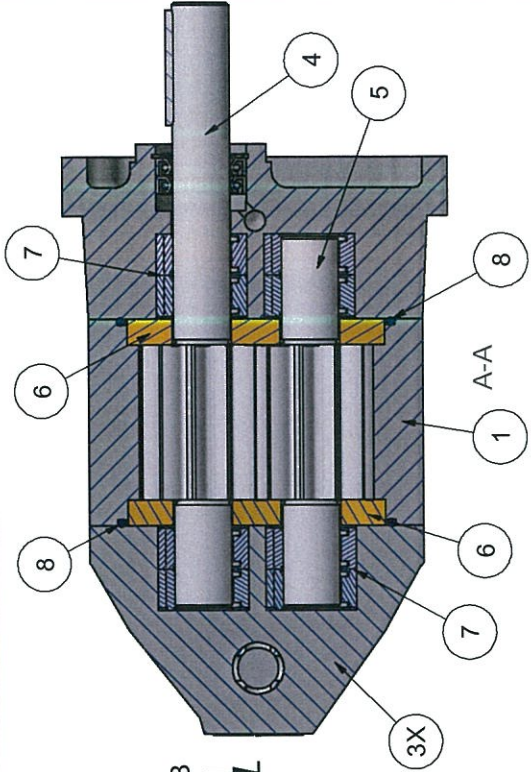
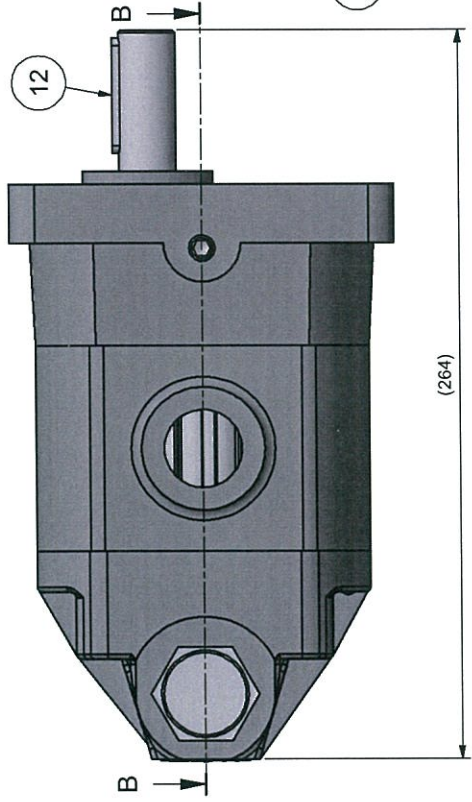
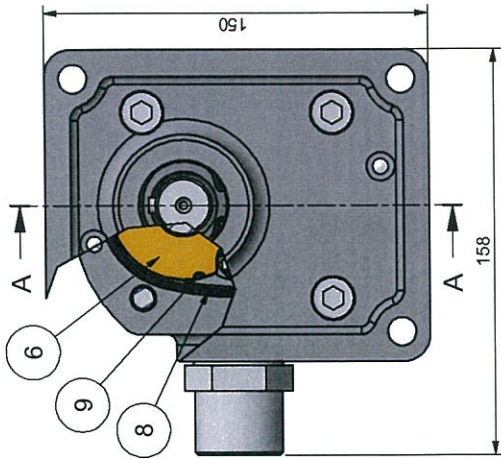
|              |            |
|--------------|------------|
| DRAWN        | 24.06.2013 |
| Terje Runnan |            |
| CHECKED      |            |
| EH           | 24.06.2013 |
| QA           |            |
| MFG          |            |
| APPROVED     |            |
|              |            |
|              |            |
|              |            |
|              |            |

|   |                   |
|---|-------------------|
|  |                   |
| TITLE<br><b>DELTA 600 - 100X</b><br><b>PARTLIST</b>                                 |                   |
| SIZE  | DWG NO            |
| <b>A3</b>   | <b>600-100X-3</b> |
| SCALE   | REV               |
|   |                   |
| SHEET 1. OF 1   |                   |



| Item | Qty | Description              | Art. no. |
|------|-----|--------------------------|----------|
| 12   | 1   | Key                      | 11110    |
| 11   | 8   | Unbrako screw            | 250961   |
| 10   | 4   | Guide                    | 12420    |
| 9    | 8   | Sealing with O-ring cord | 251155   |
| 8    | 2   | O-ring                   | 12580    |
| 7    | 8   | Needle bearing           | 10600    |
| 6    | 2   | Thrust plate             | 250817   |
| 5    | 1   | Gear w/pin               | 250931   |
| 4    | 1   | Gear w/main shaft        | 250927   |
| 3X   | 1   | End cover w/safety valve | 251096   |
| 2    | 1   | Front cover              | 251046   |
| 1    | 1   | Pump housing             | 251030   |
|      |     | Part's list              |          |

|          |            |   |            |
|----------|------------|---|------------|
| DRAWN    | 24.06.2013 |  |            |
| CHECKED  | 24.06.2013 | TITLE   |            |
| EH       |            | DELTA 600 - 100X  |            |
| QA       |            | PARTLIST DETAIL   |            |
| MFG      |            | SIZE  | DWG NO     |
| APPROVED |            | A3  | 600-100X-4 |
|          |            | SCALE   | REV        |
|          |            |   |            |



| Item | Qty | Description               | Art. no. |
|------|-----|---------------------------|----------|
| 12   | 1   | Key                       | 11090    |
| 11   | 8   | Unbrako screw             | 250961   |
| 10   | 4   | Guide                     | 12420    |
| 9    | 8   | Sealing with O-ring cord  | 251155   |
| 8    | 2   | O-ring                    | 12580    |
| 7    | 8   | Needle bearing            | 10600    |
| 6    | 2   | Thrust plate              | 250817   |
| 5    | 1   | Gear w/pin                | 250931   |
| 4    | 1   | Gear w/main shaft         | 250927   |
| 3X   | 1   | End cover w/ safety valve | 251096   |
| 2    | 1   | Front cover               | 251111   |
| 1    | 1   | Pump housing              | 251030   |

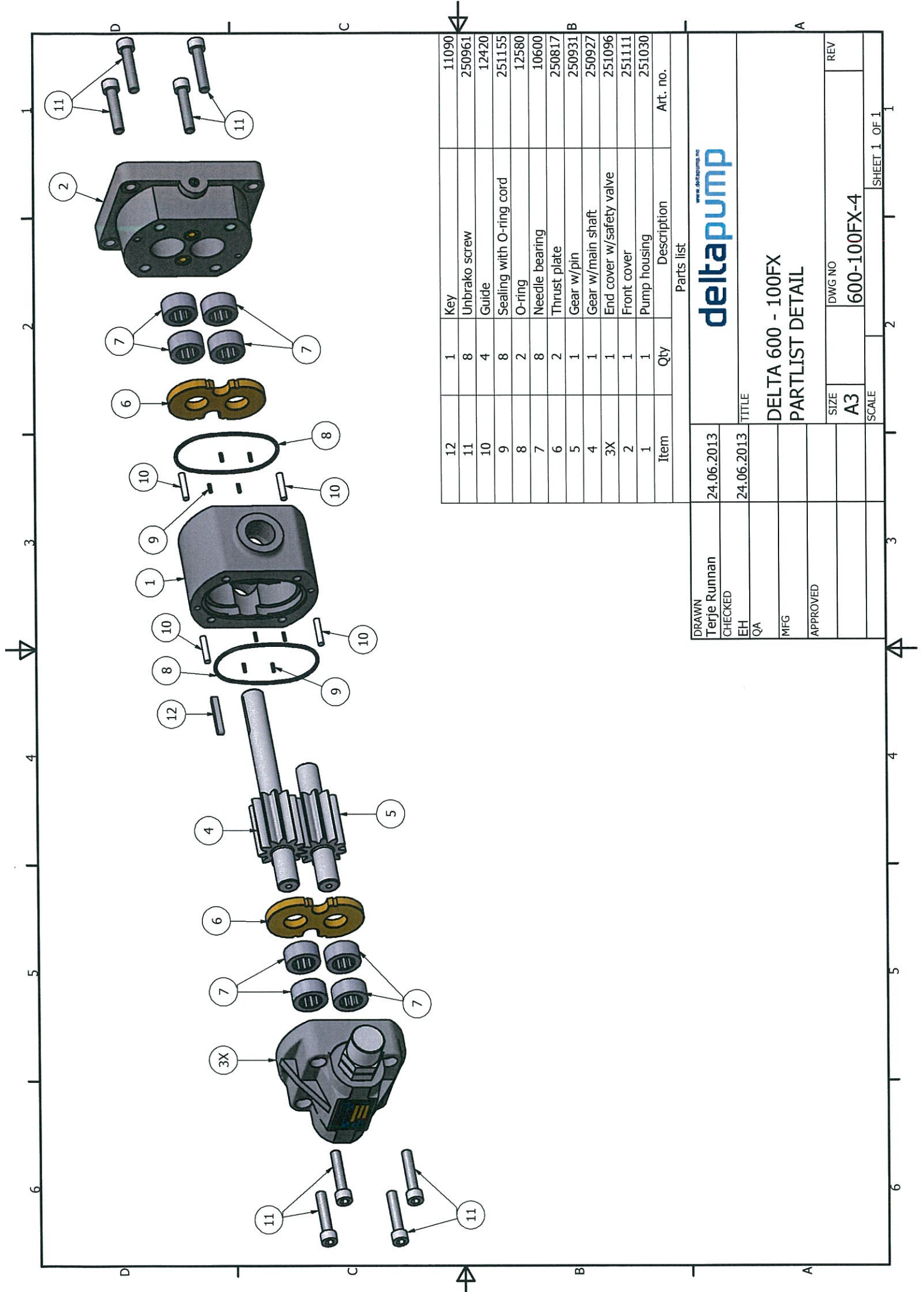
|              |             |
|--------------|-------------|
| DRAWN        | 24.06.2013  |
| Terje Runnan |             |
| CHECKED      |             |
| EH           | 24.06.2013  |
| QA           |             |
| MFG          |             |
| APPROVED     |             |
| SCALE        |             |
| SIZE         | DWG NO      |
| A3           | 600-100FX-3 |
| REV          |             |

**deltapump**  
www.deltapump.se

**DELTA 600 - 100FX**  
**PARTLIST**

TITLE

SHEET 1 OF 1



| Item | Qty | Description              | Art. no. |
|------|-----|--------------------------|----------|
| 12   | 1   | Key                      | 11090    |
| 11   | 8   | Unbrako screw            | 250961   |
| 10   | 4   | Guide                    | 12420    |
| 9    | 8   | Sealing with O-ring cord | 251155   |
| 8    | 2   | O-ring                   | 12580    |
| 7    | 8   | Needle bearing           | 10600    |
| 6    | 2   | Thrust plate             | 250817   |
| 5    | 1   | Gear w/pin               | 250931   |
| 4    | 1   | Gear w/main shaft        | 250927   |
| 3X   | 1   | End cover w/safety valve | 251096   |
| 2    | 1   | Front cover              | 251111   |
| 1    | 1   | Pump housing             | 251030   |

**deltapump**  
www.deltapump.no

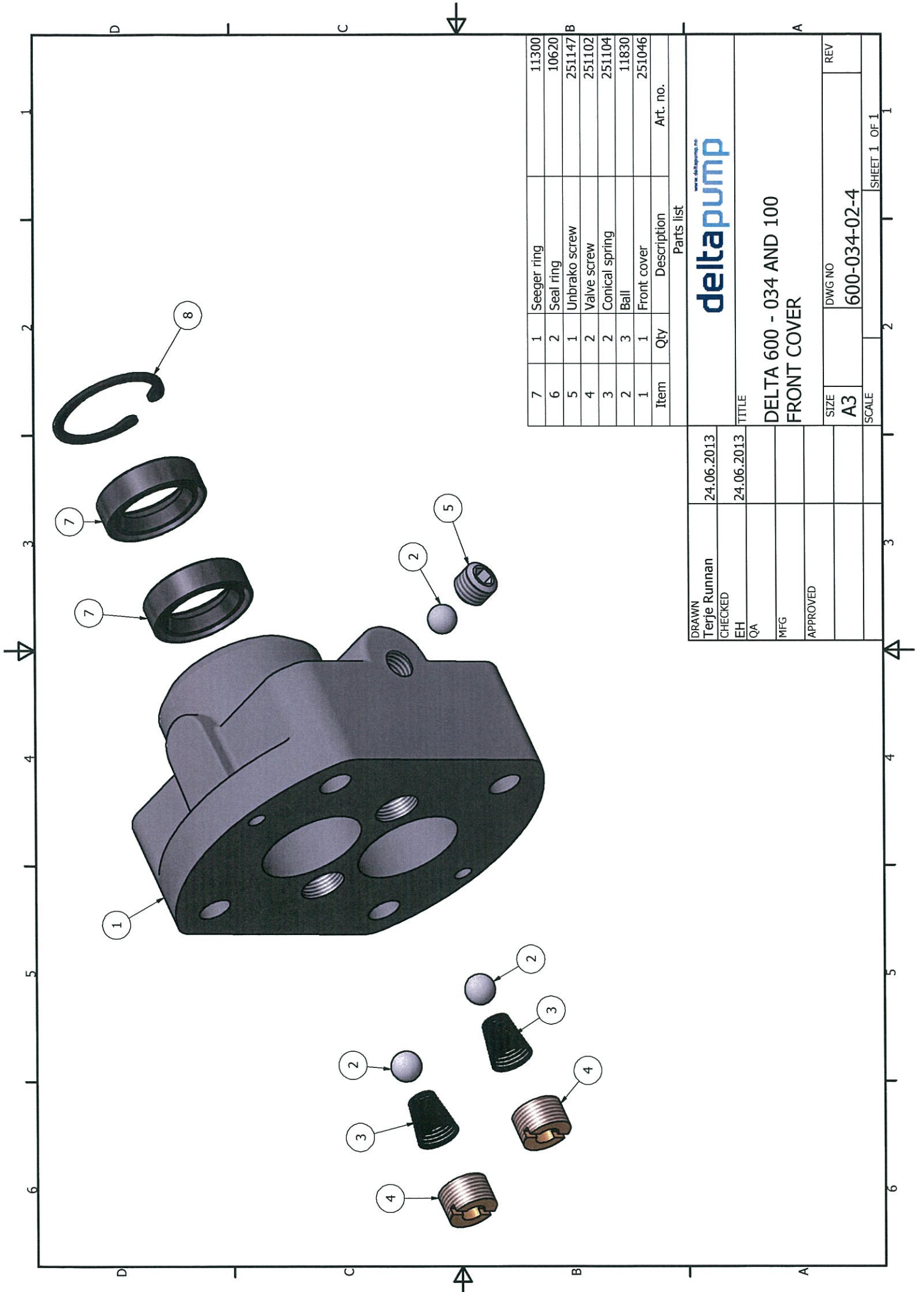
**DELTA 600 - 100FX  
PARTLIST DETAIL**

|          |            |       |             |     |   |
|----------|------------|-------|-------------|-----|---|
| DRAWN    | 24.06.2013 | TITLE | SCALE       | 2   | 1 |
| CHECKED  | 24.06.2013 | SIZE  | DWG NO      | REV |   |
| EH       |            | A3    | 600-100FX-4 |     |   |
| QA       |            |       |             |     |   |
| MFG      |            |       |             |     |   |
| APPROVED |            |       |             |     |   |


SHEET 1 OF 1

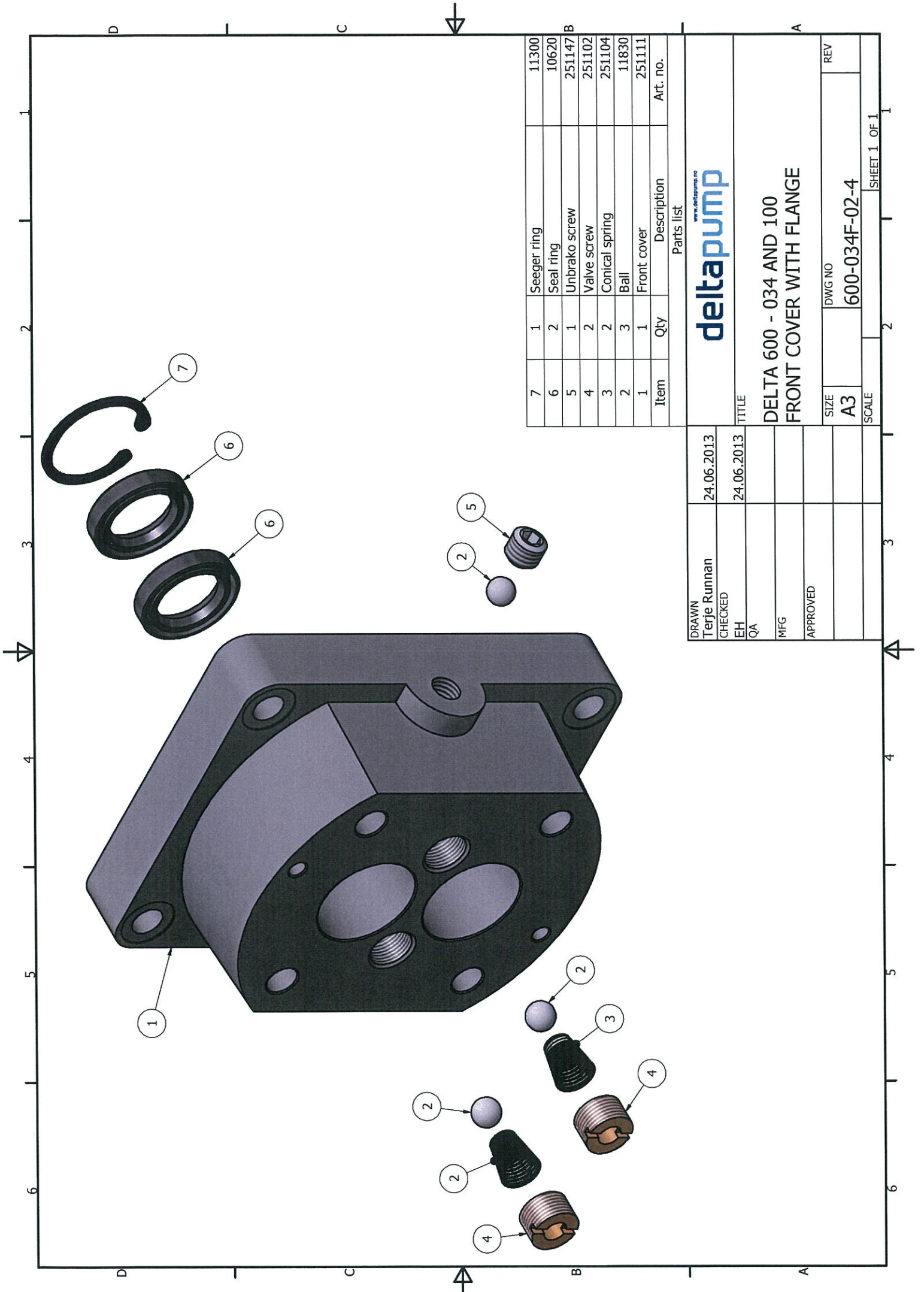






| Item | Qty | Description    | Art. no. |
|------|-----|----------------|----------|
| 7    | 1   | Seeger ring    | 11300    |
| 6    | 2   | Seal ring      | 10620    |
| 5    | 1   | Unbrako screw  | 251147   |
| 4    | 2   | Valve screw    | 251102   |
| 3    | 2   | Conical spring | 251104   |
| 2    | 3   | Ball           | 11830    |
| 1    | 1   | Front cover    | 251046   |

|   |            |   |              |
|---|------------|---|--------------|
|  |            | Parts list                                      |              |
| DRAWN<br>Terje Runnan   | 24.06.2013 | TITLE<br>DELTA 600 - 034 AND 100<br>FRONT COVER |              |
| CHECKED<br>EH   | 24.06.2013 | DWG NO<br>600-034-02-4                          | REV          |
| QA  | MFG        | APPROVED  | SCALE        |
| 3   | 2          | 1   | SHEET 1 OF 1 |



| Item | Qty | Description    | Art. no. |
|------|-----|----------------|----------|
| 7    | 1   | Seeger ring    | 11300    |
| 6    | 2   | Seal ring      | 10620    |
| 5    | 1   | Unbrako screw  | 251147   |
| 4    | 2   | Valve screw    | 251102   |
| 3    | 2   | Conical spring | 251104   |
| 2    | 3   | Ball           | 11830    |
| 1    | 1   | Front cover    | 251111   |

Parts list

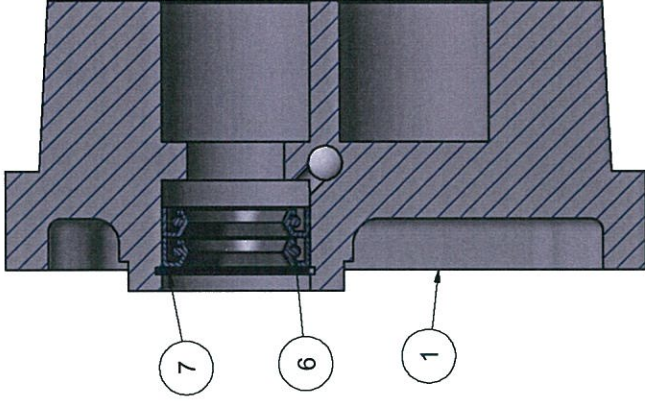
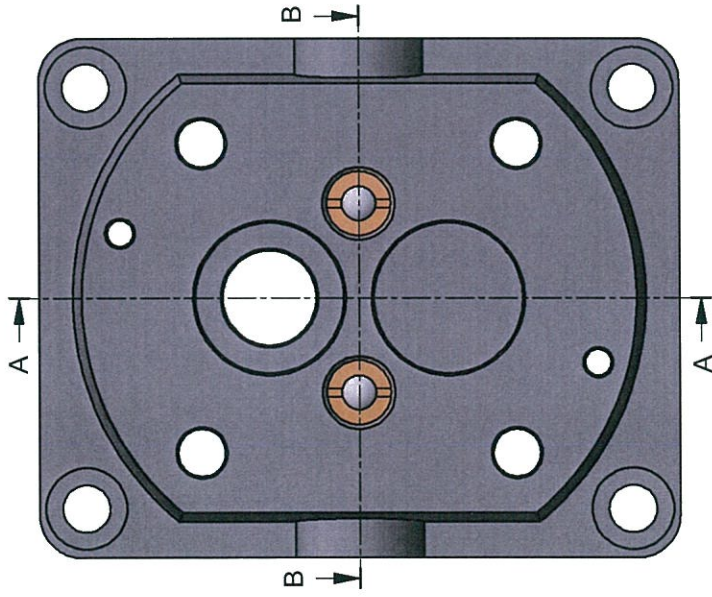


|          |            |  |  |
|----------|------------|--|--|
| DRAWN    | 24.06.2013 |  |  |
| CHECKED  |            |  |  |
| EH       | 24.06.2013 |  |  |
| QA       |            |  |  |
| MFG      |            |  |  |
| APPROVED |            |  |  |
|          |            |  |  |
|          |            |  |  |
|          |            |  |  |
|          |            |  |  |
|          |            |  |  |

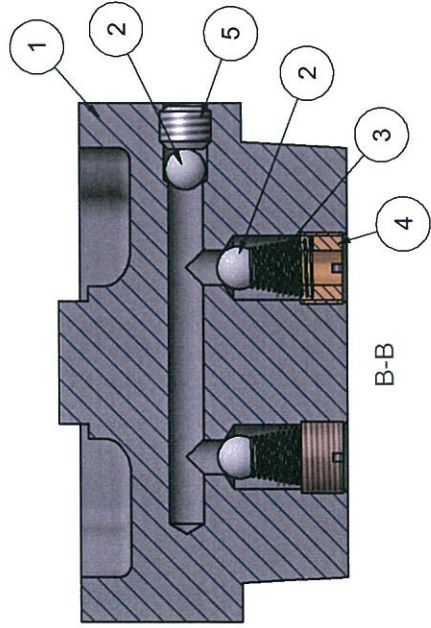
TITLE

DELTA 600 - 034 AND 100  
FRONT COVER WITH FLANGE

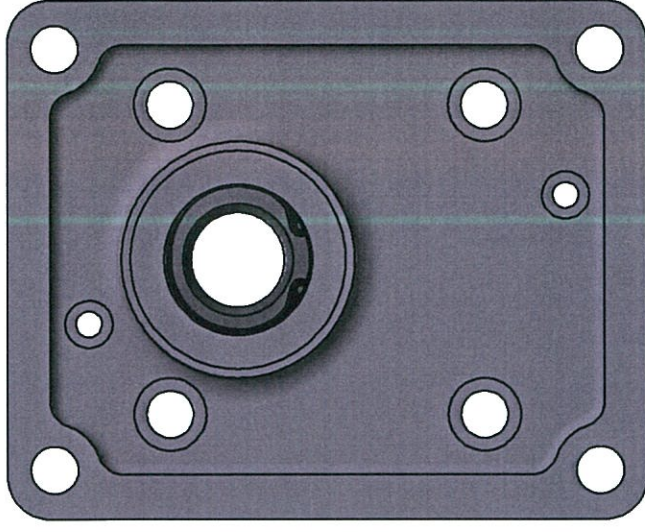
|       |               |     |
|-------|---------------|-----|
| SIZE  | DWG NO        | REV |
| A3    | 600-034F-02-4 |     |
| SCALE |               |     |



A-A



B-B



| Item | Qty | Description    | Art. no. |
|------|-----|----------------|----------|
| 7    | 1   | Seeger ring    | 11300    |
| 6    | 2   | Seal ring      | 10620    |
| 5    | 1   | Unbrako screw  | 251147   |
| 4    | 2   | Valve screw    | 251102   |
| 3    | 2   | Conical spring | 251104   |
| 2    | 3   | Ball           | 11830    |
| 1    | 1   | Front cover    | 251111   |

Parts List

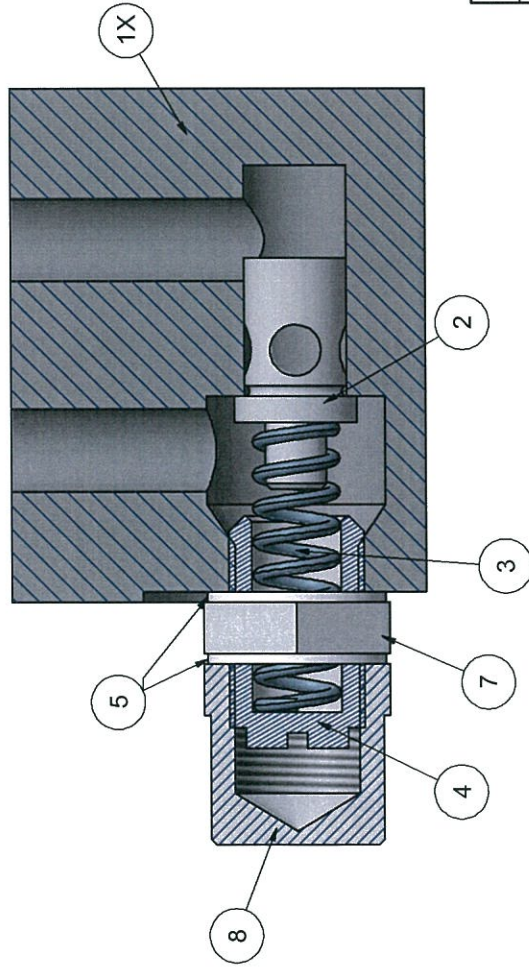
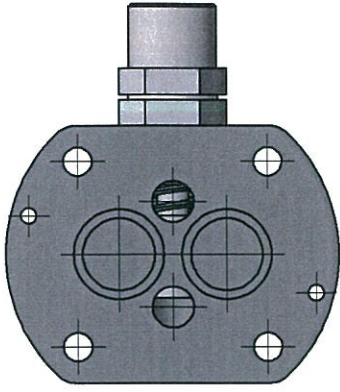
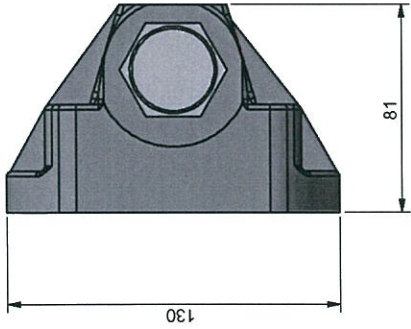
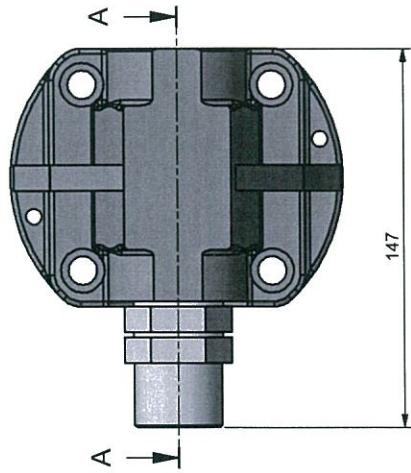


|              |            |
|--------------|------------|
| DRAWN        | 24.06.2013 |
| Terje Runnan |            |
| CHECKED      | 24.06.2013 |
| EH           |            |
| QA           |            |
| MFG          |            |
| APPROVED     |            |

TITLE

DELTA 600 - 034 AND 100  
FRONT COVER WITH FLANGE

|       |               |     |
|-------|---------------|-----|
| SIZE  | DWG NO        | REV |
| A3    | 600-034F-02-2 |     |
| SCALE | SHEET 1 OF 1  |     |

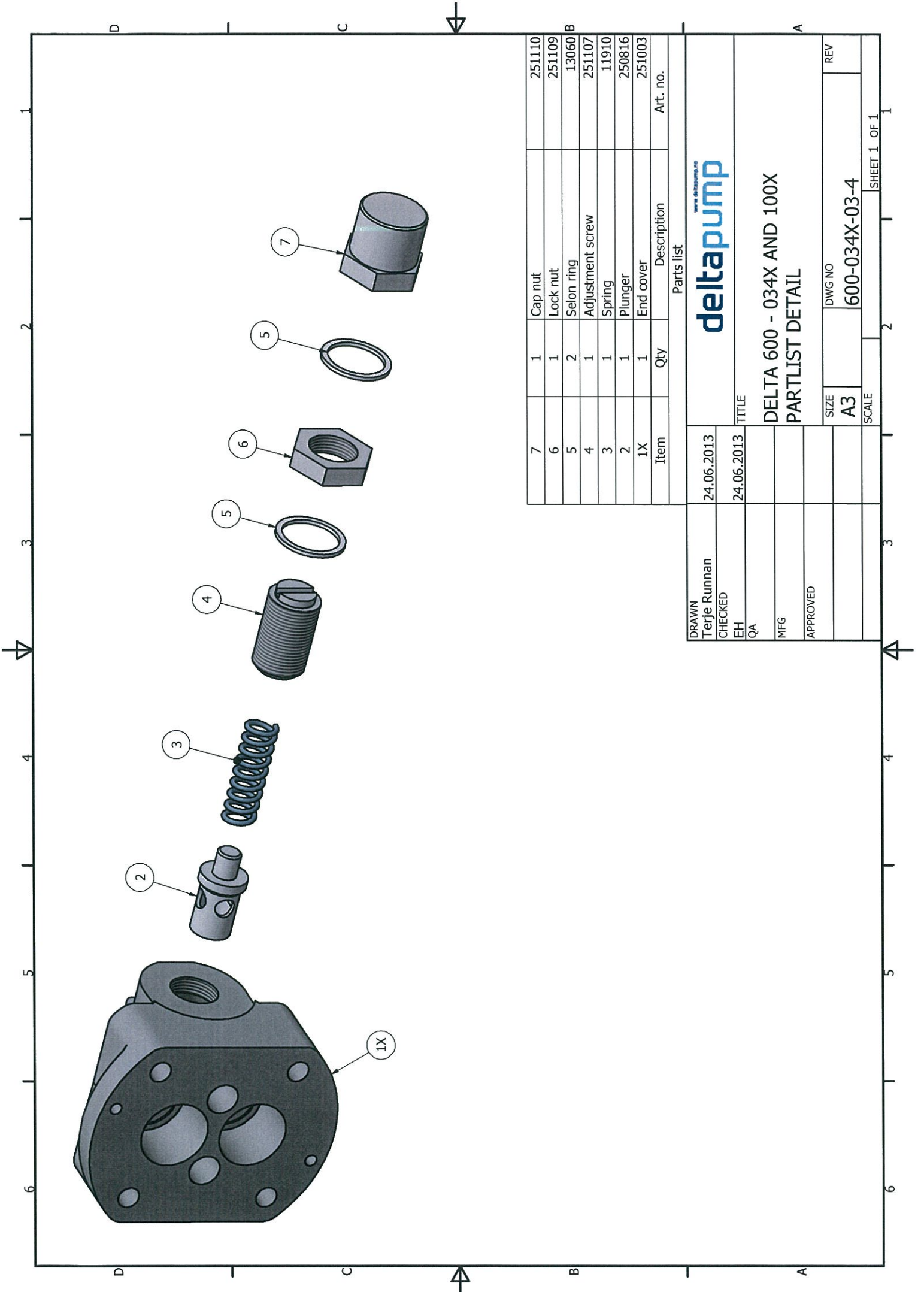


| Item | Qty | Description      | Art. no. |
|------|-----|------------------|----------|
| 8    | 1   | Cap nut          | 251110   |
| 7    | 1   | Lock nut         | 251109   |
| 5    | 2   | Selon ring       | 13060    |
| 4    | 1   | Adjustment screw | 251107   |
| 3    | 1   | Spring           | 11910    |
| 2    | 1   | Plunger          | 250816   |
| 1X   | 1   | End cover        | 251003   |

| Parts List                  |               |
|-----------------------------|---------------|
| DRAWN                       | 24.06.2013    |
| Terje Runnan                |               |
| CHECKED                     | 24.06.2013    |
| EH                          |               |
| QA                          |               |
| MFG                         |               |
| APPROVED                    |               |
| TITLE                       |               |
| DELTA 034X AND 100X         |               |
| END COVER WITH SAFETY VALVE |               |
| SIZE                        | DWG NO        |
| A3                          | 600-034X-03-2 |
| SCALE                       | REV           |
|                             |               |
| SHEET 1 OF 1                |               |



A-A



| Item | Qty | Description      | Art. no. |
|------|-----|------------------|----------|
| 7    | 1   | Cap nut          | 251110   |
| 6    | 1   | Lock nut         | 251109   |
| 5    | 2   | Seal ring        | 13060 B  |
| 4    | 1   | Adjustment screw | 251107   |
| 3    | 1   | Spring           | 11910    |
| 2    | 1   | Plunger          | 250816   |
| 1X   | 1   | End cover        | 251003   |

|                       |    |            |               |   |  |
|-----------------------|----|------------|---------------|---|--|
| DRAWN<br>Terje Runnan |    | 24.06.2013 |               | Parts list  |  |
| CHECKED<br>EH         |    | 24.06.2013 |               | <b>deltapump</b><br><small>www.deltapump.no</small> |  |
| QA                    |    |            |               | TITLE   |  |
| MFG                   |    |            |               | DELTA 600 - 034X AND 100X                           |  |
| APPROVED              |    |            |               | PARTLIST DETAIL                                     |  |
| SIZE                  | A3 | DWG NO     | 600-034X-03-4 | REV   |  |
| SCALE                 |    |            |               | SHEET 1 OF 1  |  |