

| Item | Qty | Description | Art. no. |
|------|-----|--------------------------|----------|
| 16 | 1 | Seeger ring | 11320 |
| 15 | 2 | Seal ring | 10740 |
| 14 | 1 | Key | 1000040 |
| 13 | 6 | Unbrako screw | 250959 |
| 12 | 1 | Gasket | 255342 |
| 11 | 8 | Unbrako screw | 250966 |
| 10 | 4 | Guide | 12550 |
| 9 | 8 | Ball bearing | 251106 |
| 8 | 2 | O-ring | 11950 |
| 7 | 1 | Top cover w/safety valve | 251170 |
| 6 | 2 | Thrust plate | 20320 |
| 5 | 1 | Gear w/pin | 250932 |
| 4 | 1 | Gear w/main shaft | 250928 |
| 3 | 1 | End cover | 20300 |
| 2 | 1 | Front cover | 20290 |
| 1 | 1 | Pump housing | 251031 |

DRAWN Terje Rinnah
 CHECKED EH
 QA
 MFG
 APPROVED

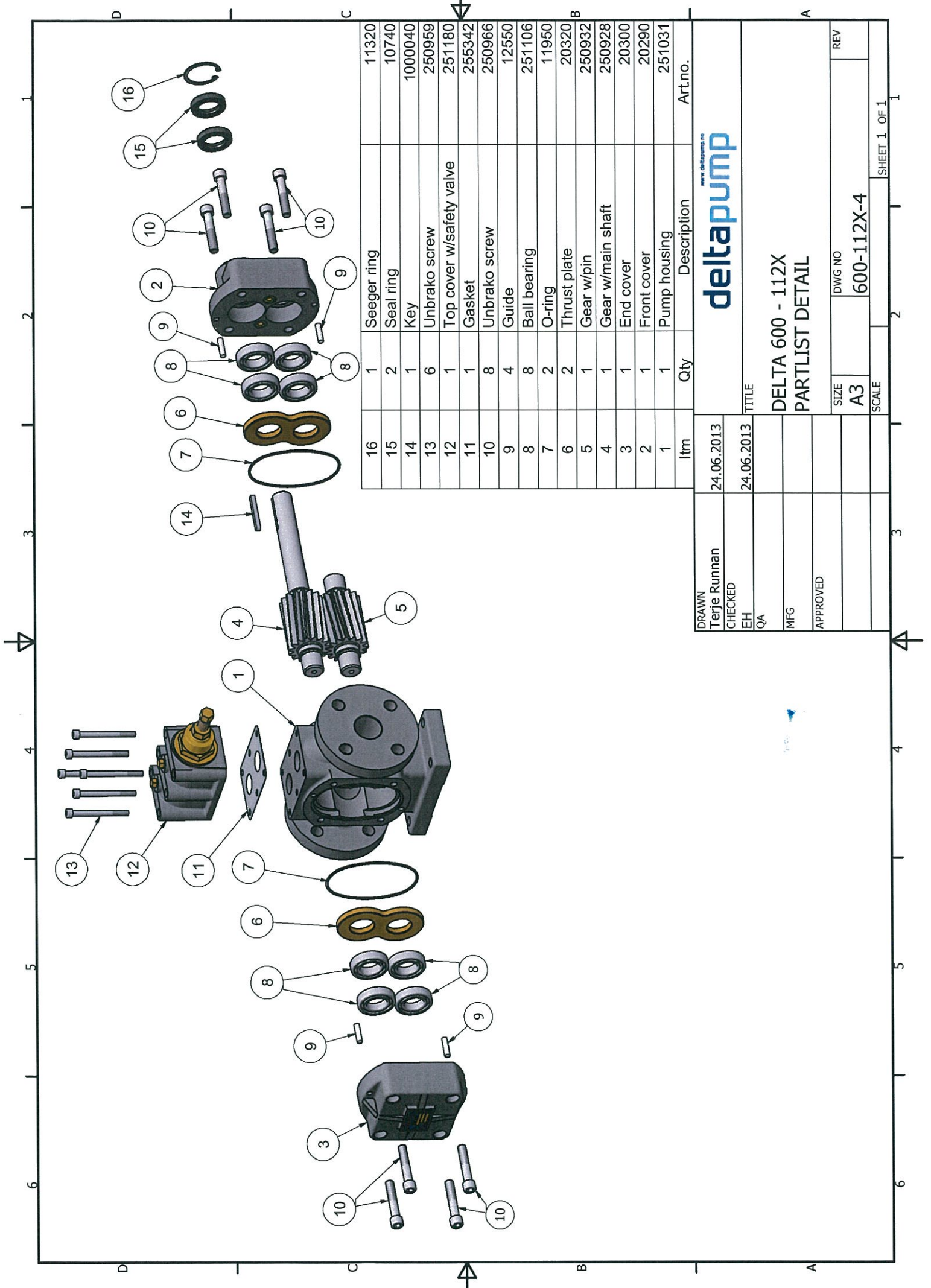
24.06.2013
 24.06.2013

delta
 THE ORIGINAL IN
 pump

DELTA 600 - 112X
WITH ADJUSTABLE SAFETY VALVE
PARTLIST

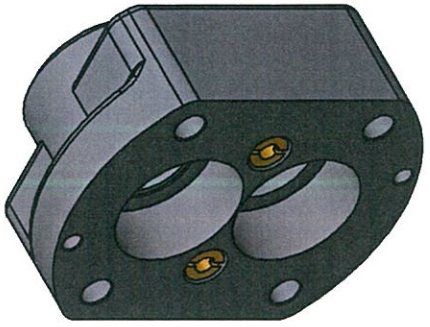
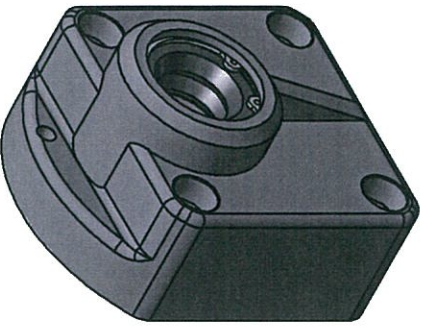
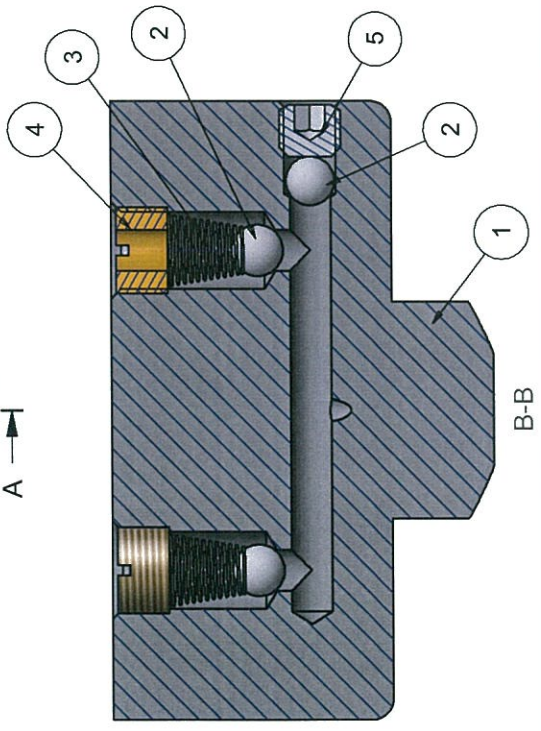
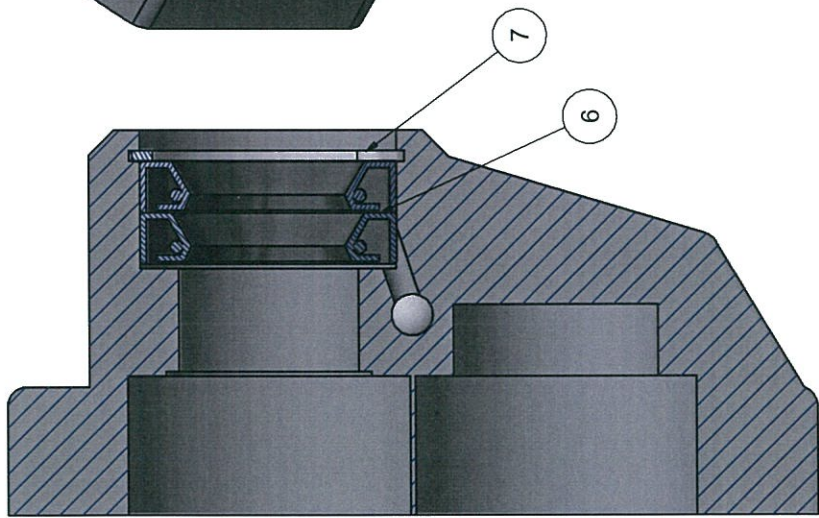
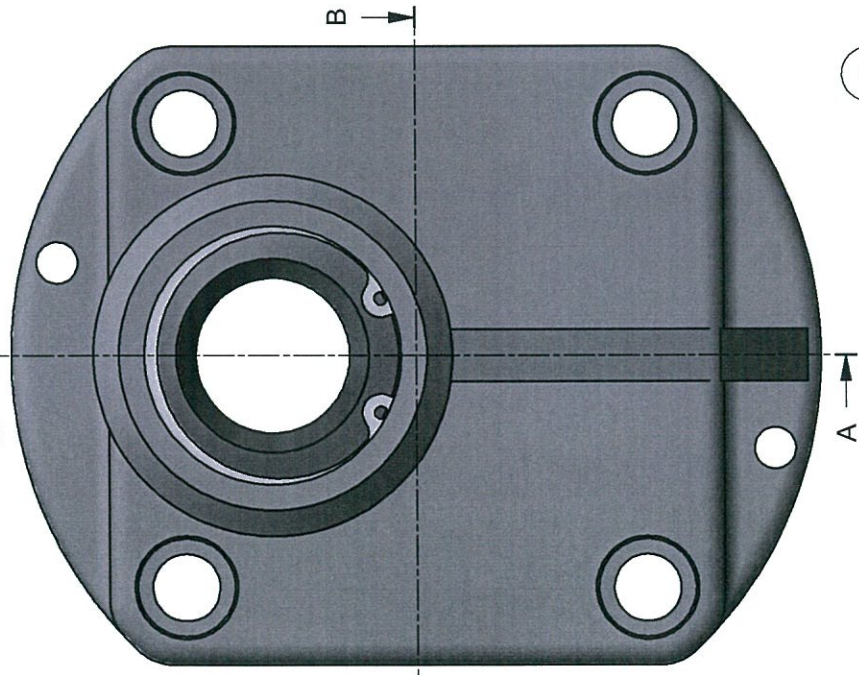
TITLE
 SIZE A2
 DWG NO 600-112X-3
 SCALE
 REV

SHEET 1 OF 1



| Item | Qty | Description | Art.no. |
|------|-----|--------------------------|---------|
| 16 | 1 | Seeger ring | 11320 |
| 15 | 2 | Seal ring | 10740 |
| 14 | 1 | Key | 1000040 |
| 13 | 6 | Unbrako screw | 250959 |
| 12 | 1 | Top cover w/safety valve | 251180 |
| 11 | 1 | Gasket | 255342 |
| 10 | 8 | Unbrako screw | 250966 |
| 9 | 4 | Guide | 12550 |
| 8 | 8 | Ball bearing | 251106 |
| 7 | 2 | O-ring | 11950 |
| 6 | 2 | Thrust plate | 20320 |
| 5 | 1 | Gear w/pin | 250932 |
| 4 | 1 | Gear w/main shaft | 250928 |
| 3 | 1 | End cover | 20300 |
| 2 | 1 | Front cover | 20290 |
| 1 | 1 | Pump housing | 251031 |

| | | | | | |
|-----------------------|--|------------|--|------------------|--|
| DRAWN Terje Runnan | | 24.06.2013 | | www.deltapump.no | |
| CHECKED EH | | 24.06.2013 | | deltapump | |
| QA | | TITLE | | DELTA 600 - 112X | |
| MFG | | APPROVED | | PARTLIST DETAIL | |
| SCALE | | SIZE | | DWG NO | |
| A3 | | A3 | | 600-112X-4 | |
| REV | | REV | | REV | |
| SHEET 1 OF 1 | | 2 | | 1 | |

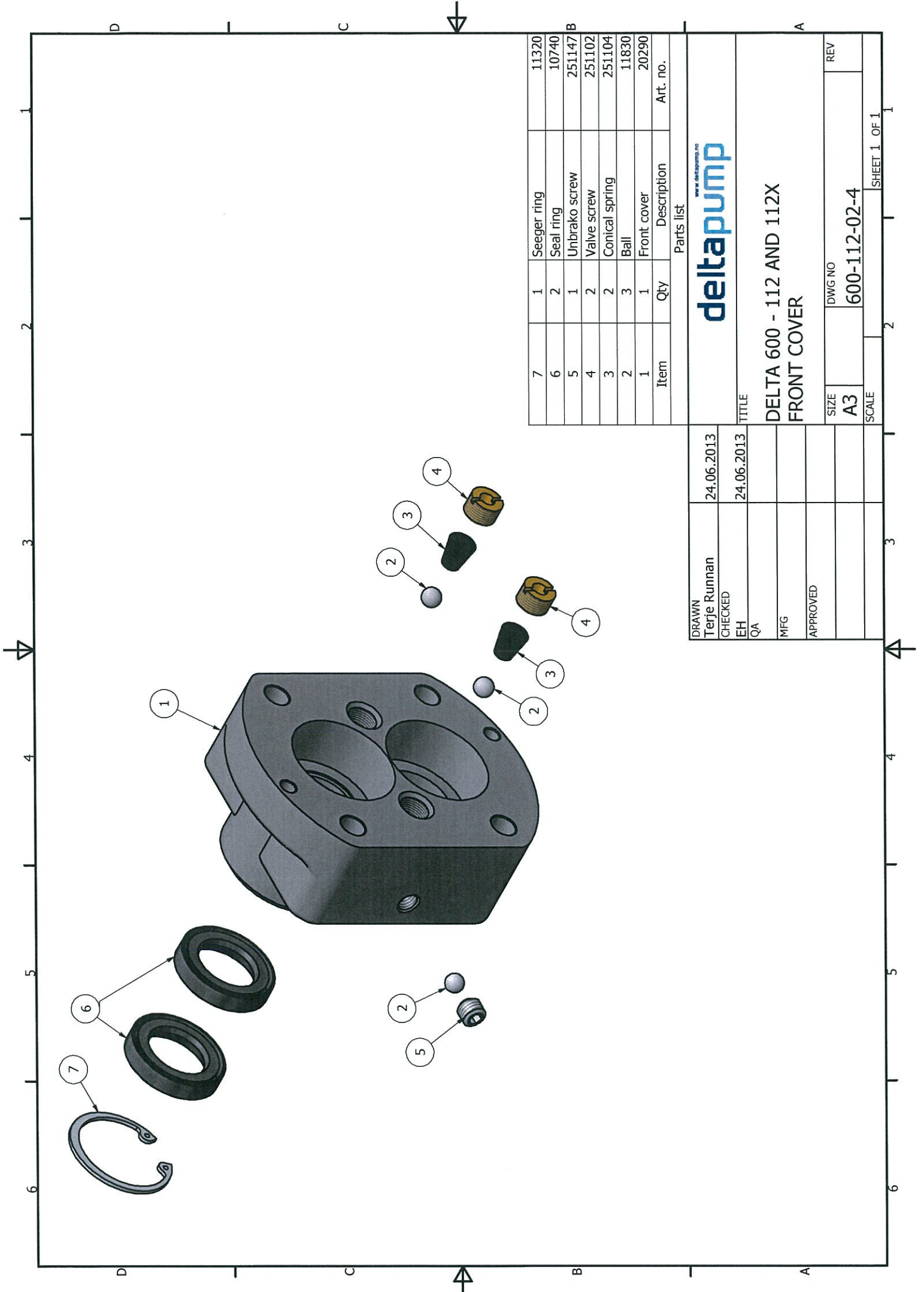


| Item | Qty | Description | Art. no. |
|------|-----|----------------|----------|
| 7 | 1 | Seeger ring | 11320 |
| 6 | 2 | Seal ring | 10740 |
| 5 | 1 | Unbrako screw | 251147 |
| 4 | 2 | Valve screw | 251102 |
| 3 | 2 | Conical spring | 541104 |
| 2 | 3 | Ball | 11830 |
| 1 | 1 | Front cover | 20290 |

Parts List



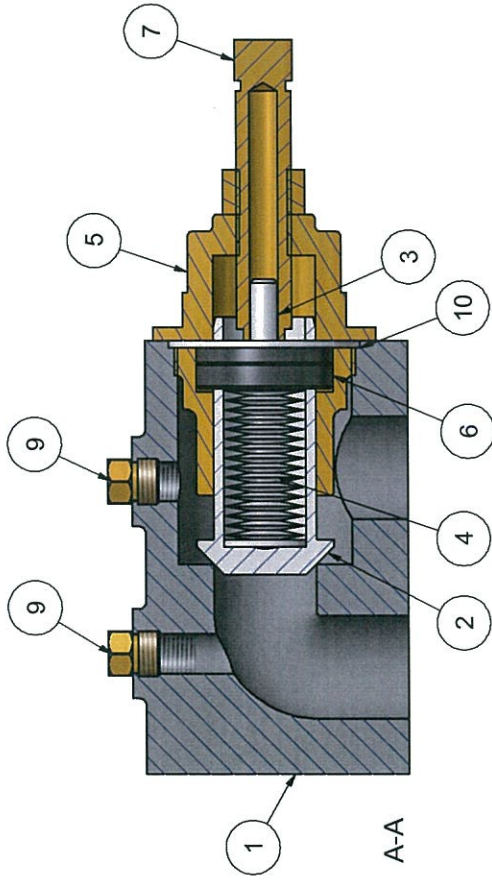
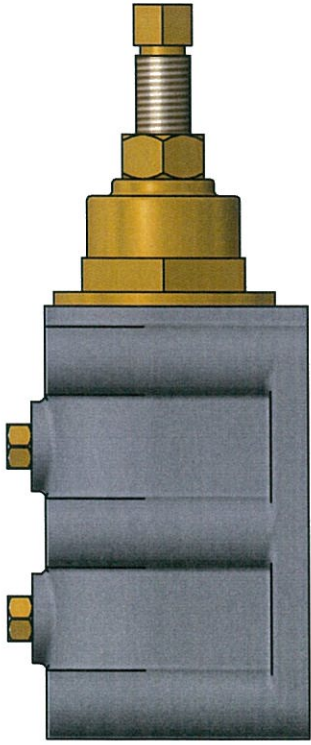
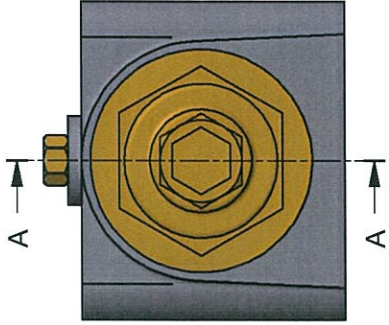
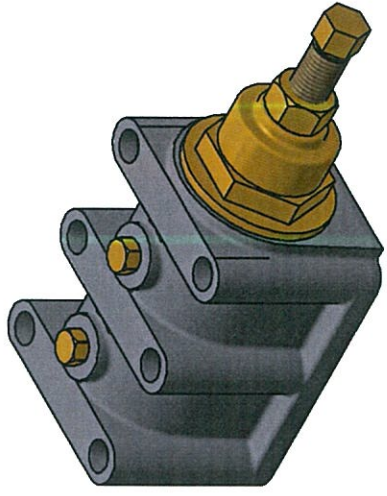
| | |
|--------------|-----------------------|
| DRAWN | 24.06.2013 |
| Terje Runnan | |
| CHECKED | |
| EH | 24.06.2013 |
| QA | |
| MFG | |
| APPROVED | |
| TITLE | |
| | FRONT COVER 600 - 112 |
| SIZE | DWG NO |
| A3 | 600-112-02-2 |
| SCALE | REV |
| | |



| Item | Qty | Description | Art. no. |
|------|-----|----------------|----------|
| 7 | 1 | Seeger ring | 11320 |
| 6 | 2 | Seal ring | 10740 |
| 5 | 1 | Unbrako screw | 251147 |
| 4 | 2 | Valve screw | 251102 |
| 3 | 2 | Conical spring | 251104 |
| 2 | 3 | Ball | 11830 |
| 1 | 1 | Front cover | 20290 |

| | |
|-----------------------------------------------------|--------------|
| deltapump <small>www.deltapump.no</small> | |
| TITLE | |
| DELTA 600 - 112 AND 112X FRONT COVER | |
| SCALE | DWG NO |
| A3 | 600-112-02-4 |
| SIZE | REV |
| A3 | |

| | |
|--------------|------------|
| DRAWN | 24.06.2013 |
| Terje Runnan | |
| CHECKED | 24.06.2013 |
| EH | |
| QA | |
| MFG | |
| APPROVED | |



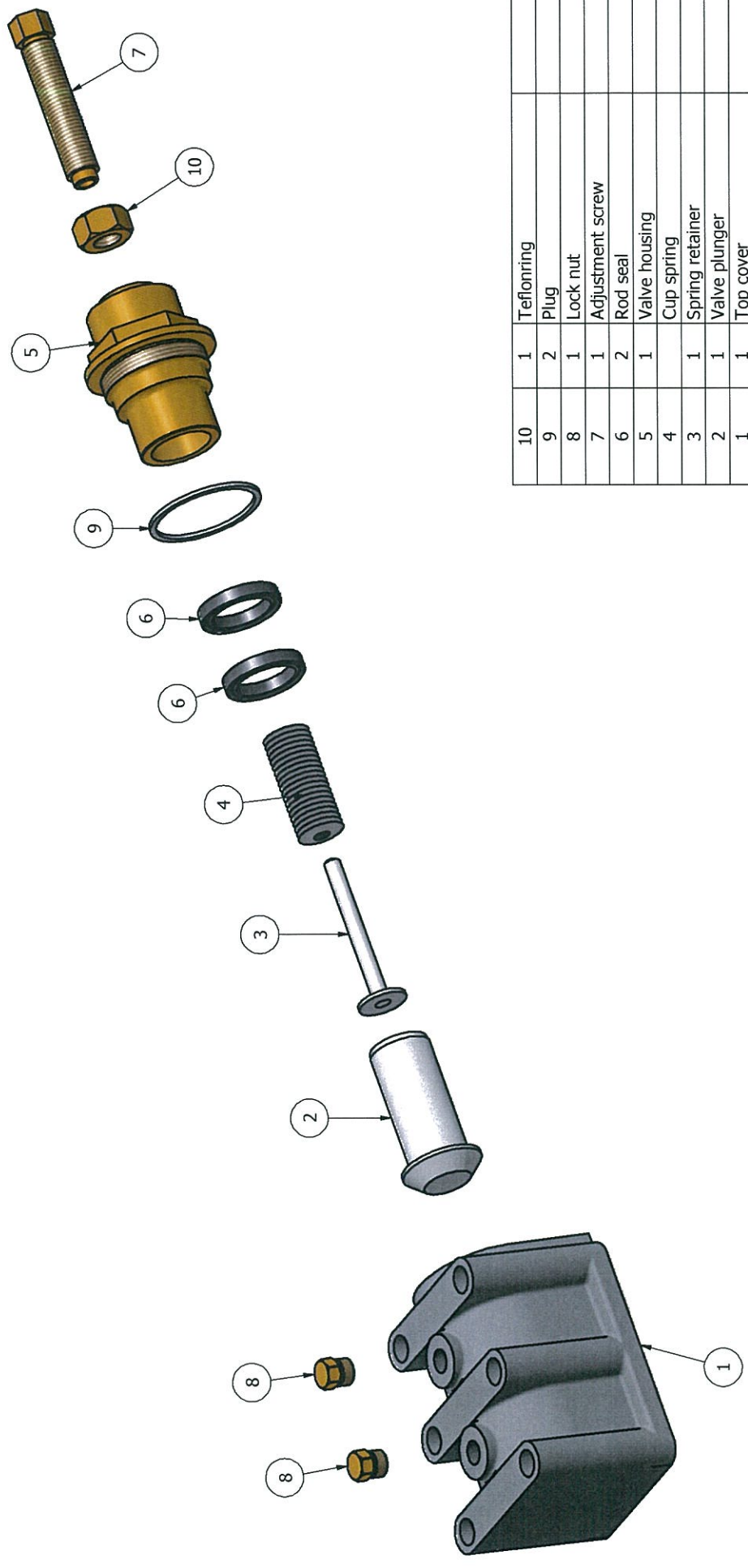
| Item | Qty | Description | Art. no. |
|------|-----|------------------|----------|
| 10 | 1 | Teflonring | 250902 |
| 9 | 2 | Plug | 251090 |
| 8 | 1 | Lock nut | 250858 |
| 7 | 1 | Adjustment screw | 250905 |
| 6 | 2 | Rod seal | 11210 |
| 5 | 1 | Valve housing | 251084 |
| 4 | 1 | Cup spring | 13030 |
| 3 | 1 | Spring retainer | 251067 |
| 1 | 1 | Top cover | 251180 |

deltapump
www.deltapump.no

| | |
|--------------|---------------|
| DRAWN | 24.06.2013 |
| Terje Runnan | |
| CHECKED | 24.06.2013 |
| EH | |
| QA | |
| MFG | |
| APPROVED | |
| SCALE | |
| SIZE | DWG NO |
| A3 | 600-112X-15-2 |
| REV | |

TITLE

**DELTA 600-112 TOP COVER
WITH ADJUSTABLE SAFETY VALVE**



| Item | Qty | Description | Art. no. |
|------|-----|------------------|----------|
| 10 | 1 | Teflonring | 250902 |
| 9 | 2 | Plug | 251090 |
| 8 | 1 | Lock nut | 250858 |
| 7 | 1 | Adjustment screw | 250905 |
| 6 | 2 | Rod seal | 11210 |
| 5 | 1 | Valve housing | 251084 |
| 4 | 1 | Cup spring | 13030 |
| 3 | 1 | Spring retainer | 251067 |
| 2 | 1 | Valve plunger | 250974 |
| 1 | 1 | Top cover | 251180 |

| | | | |
|-----------------------|--|---------------------------|--|
| DRAWN Terje Runnan | | 24.06.2013 | |
| CHECKED EH | | 24.06.2013 | |
| QA | | | |
| MFG | | | |
| APPROVED | | | |
| SCALE | | | |
| SIZE A3 | | DWG NO 600-112X-15-4_B | |
| REV | | | |

| | |
|-----------------------------------------------------------------------------------------------------------|--|
|  | |
| TITLE DELTA 600 - 112 AND 112X TOP COVER WITH ADJUSTABLE SAFETY VALVE | |
| SCALE | |
| DWG NO 600-112X-15-4_B | |
| REV | |