


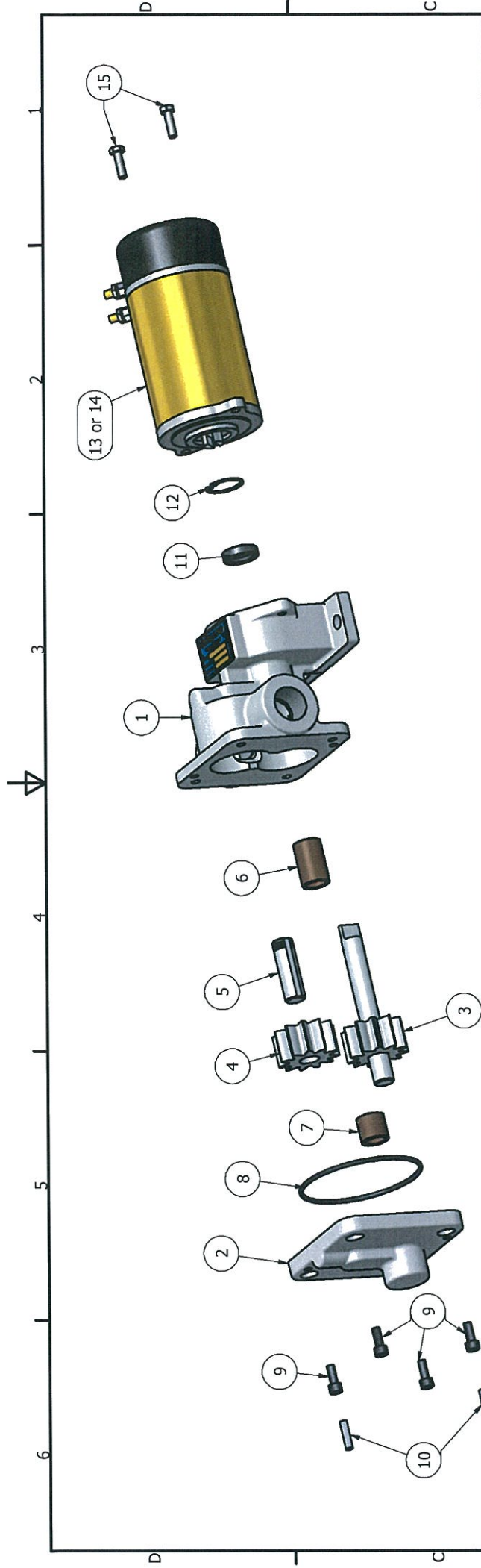
Note:  
 Flow rates: 60 l/min  
 Suction height: 3 - 4 mtrs  
 Rated power: 0,47 kw  
 Rated voltage: 12V  
 Rated speed: 4200 rpm  
 Operation mode: S2-5 min  
 Protection: IP 55  
 Rotation: C.W.D.E  
 Weight: 8,5 kg

DRAWN Terje Rumnan		18.06.2013		
CHECKED			TITLE MEASURE	
Q/A			DELTA 676 - 12V	
MFG			REFUELLING PUMP	
APPROVED			SIZE A3	REV
			DWG NO	Delta 676 12V
			SCALE	SHEET 1 OF 1

ALL MEASURE IS UNQUALIFIED

↑ OUTLET

↑ INLET



Item	Qty	Description	Art. no.
15	2	Hex. head screw	250957
14	1	El. motor 12V	250673
13	1	El. motor 24V	250672
12	1	Seeger ring	11280
11	1	Seal ring	10470
10	2	Guide	12540
9	4	Umbr. screw	250962
8	1	O-ring	12630
7	1	Oil Bronze Bearing	10450
6	1	Oil Bronze Bearing	10460
5	1	Shaft	251150 B
4	1	Gear	251149
3	1	Gear w/main shaft	251148
2	1	End cover	251008
1	1	Pumphousing with bracket	251034

DRAWN Terje Runnan		18.06.2013	Parts list	
CHECKED EH		18.06.2013	www.deltapump.no	
QA			<b>deltapump</b>	
MFG			DELTA 676 12V and 24V	
APPROVED			PARTS LIST	
SIZE	DWG NO	REV		
A3	Delta 676 Deleliste			
SCALE				