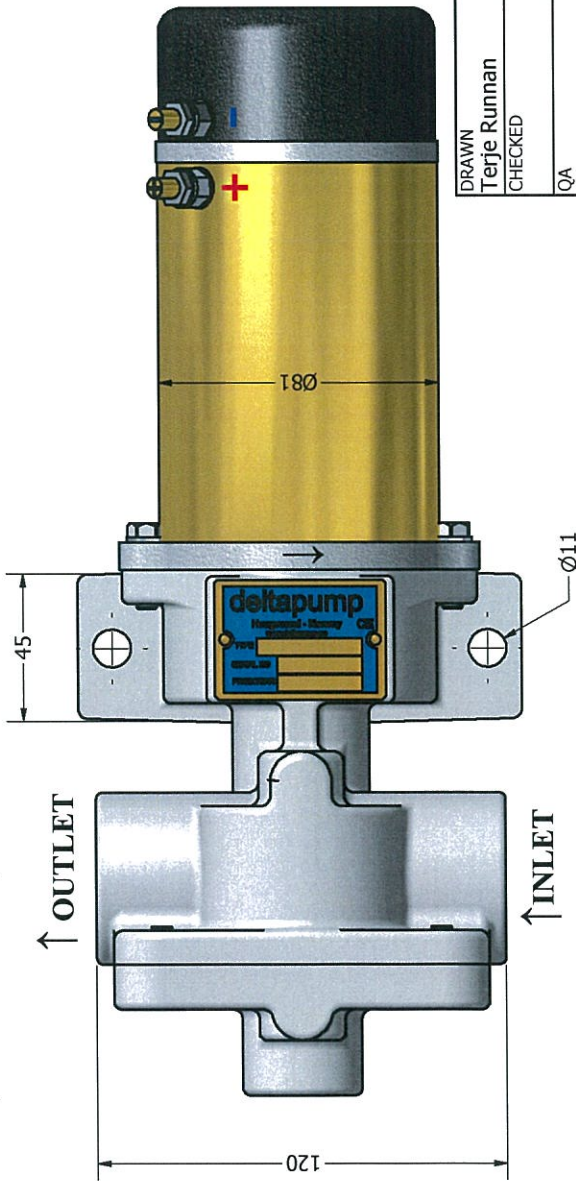
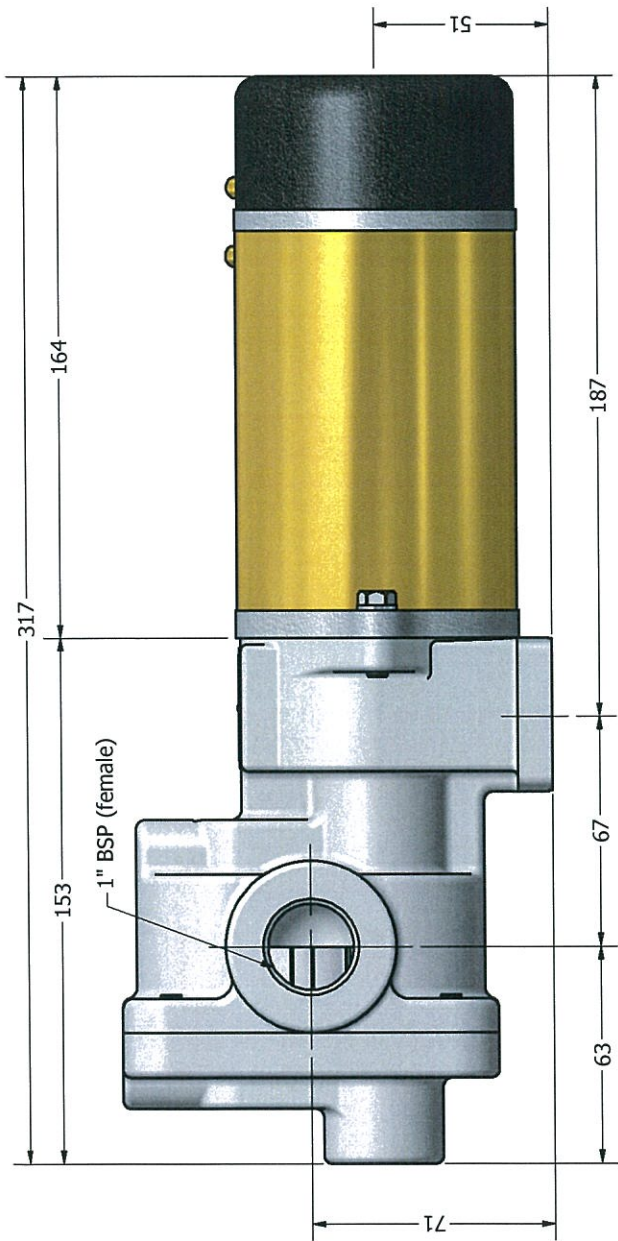


Note:
 Flow rates: 60 l/min
 Suction height: 3 - 4 mtrs
 Rated power: 0,47 kw
 Rated voltage: 24V
 Rated speed: 3300 rpm
 Operation mode: S2-6 min
 Protection: IP 55
 Rotation: C.W.D.E
 Weight: 8,5 kg

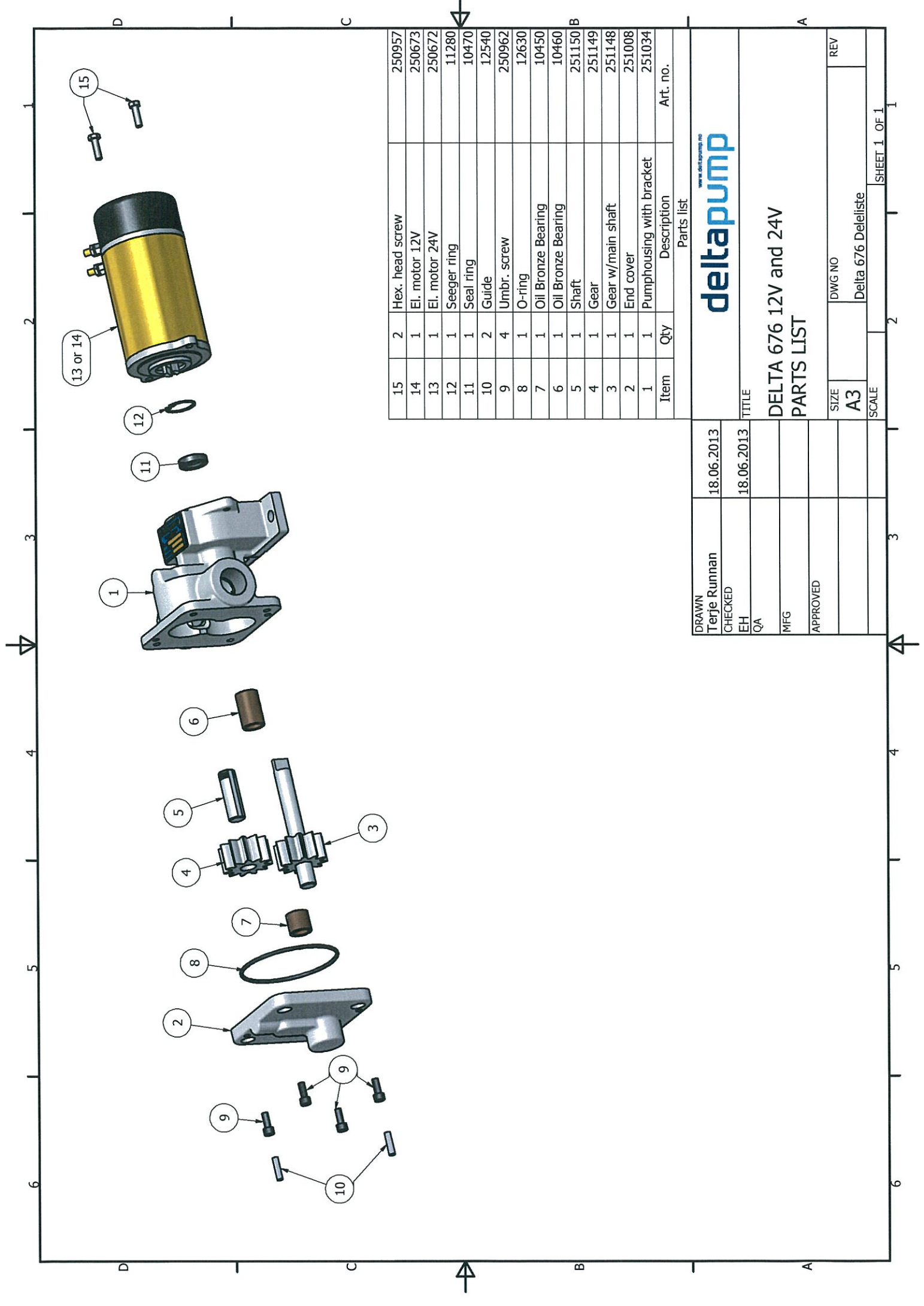


DRAWN	18.06.2013
Terje Runnan	
CHECKED	
QA	
MFG	
APPROVED	

TITLE	
MEASURE	
DELTA 676 - 24V	
REFUELLING PUMP	
SIZE	DWG NO
A3	Delta 676 24V
SCALE	REV

ALL MEASURE IS UNQUALIFIED

SHEET 1 OF 1



Item	Qty	Description	Art. no.
15	2	Hex. head screw	250957
14	1	El. motor 12V	250673
13	1	El. motor 24V	250672
12	1	Seeger ring	11280
11	1	Seal ring	10470
10	2	Guide	12540
9	4	Umbr. screw	250962
8	1	O-ring	12630
7	1	Oil Bronze Bearing	10450
6	1	Oil Bronze Bearing	10460
5	1	Shaft	251150
4	1	Gear	251149
3	1	Gear w/main shaft	251148
2	1	End cover	251008
1	1	Pumphousing with bracket	251034

Parts list	
DRAWN	18.06.2013
CHECKED	18.06.2013
EH	
QA	
MFG	
APPROVED	
SIZE	DWG NO
A3	Delta 676 Deleliste
SCALE	



**DELTA 676 12V and 24V
PARTS LIST**