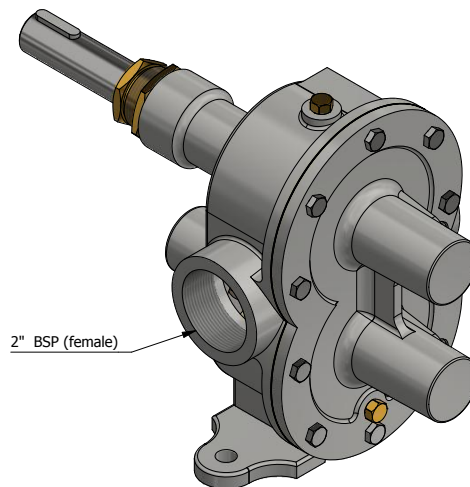
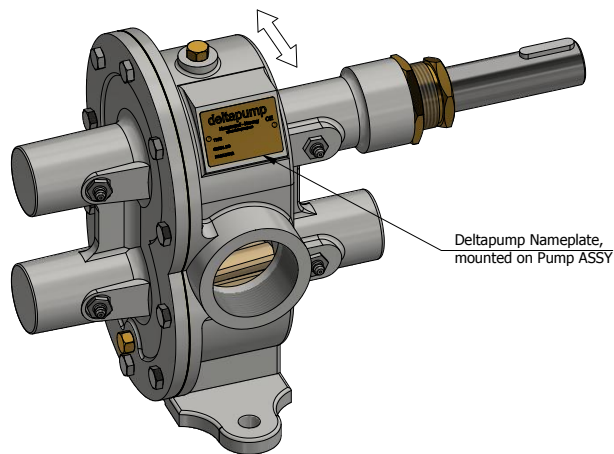
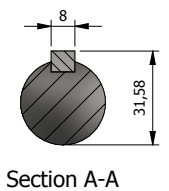



NOTE:
Deltapump gear-pumps functions in both directions INLET/OUTLET(Flow) is selectable if you change the motor turn direction.

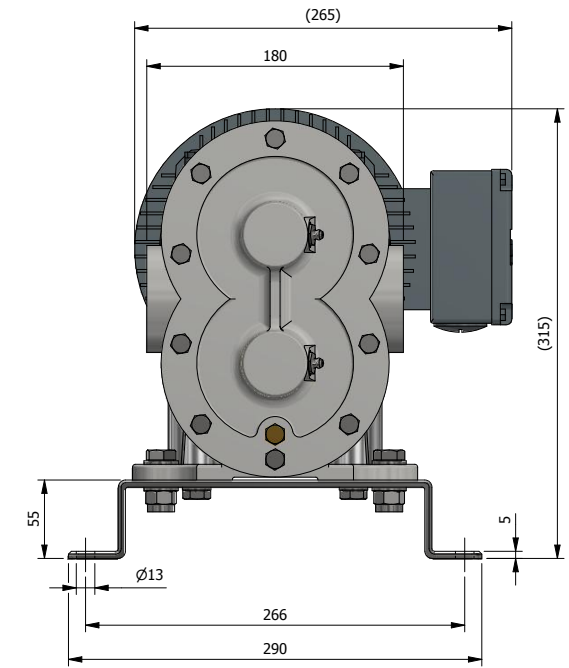
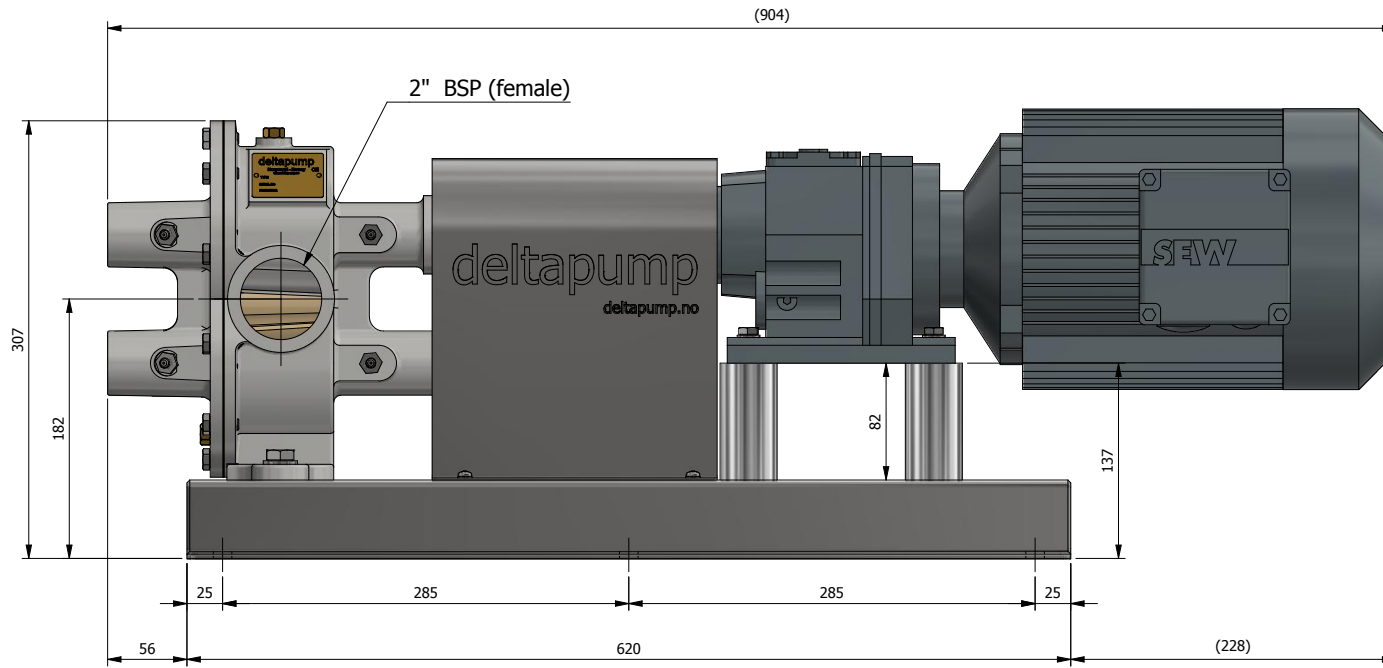


Notes
Keyway dimensions:
Length : 36mm
Width : 8mm

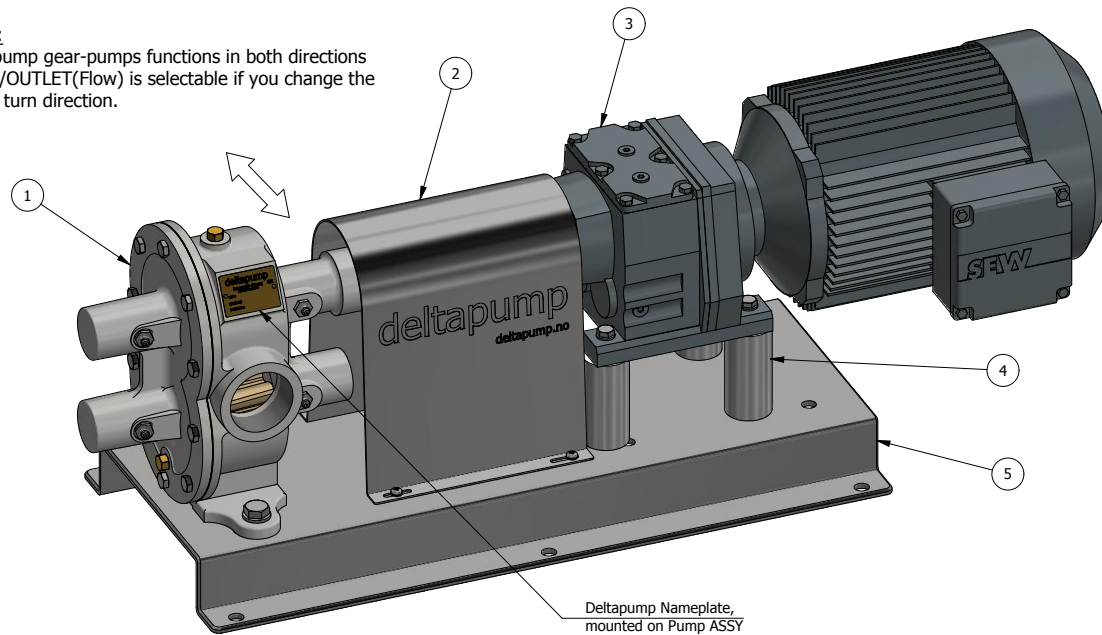


NOTES:
* A Name Plate, is mounted on the Pump

Material: -		Designed by RSK		Date 16/04/2019	Deltapump AS 5537 Haugesund Norway	 <p>SINCE 1878</p> <p>deltapump.no orgnr: 992 107 626</p>
Unless otherwise specified: Dimensions are in MM		Checked by		Date	Mass (kg)	
Machining Tolerances are: NS-ISO-2768-1-M NS-ISO-2768-2-K Surface Finish: Ra3.2 Size: A3 Do Not Scale		Approved by		Date	Sheet 1 of 1	<p>This drawing and the information contained in it are proprietary and the sole property of DELTAPUMP A.S. and any use, reproduction or distribution, in whole or part, without the prior written consent is prohibited.</p>
Projection Angle		Description: Delta 400-200PT - Pump ASSY - OUTLINE		Stock Number: 4200PT	Drawing Reference: DP160183	



NOTE:
Deltapump gear-pumps functions in both directions
INLET/OUTLET(Flow) is selectable if you change the
motor turn direction.

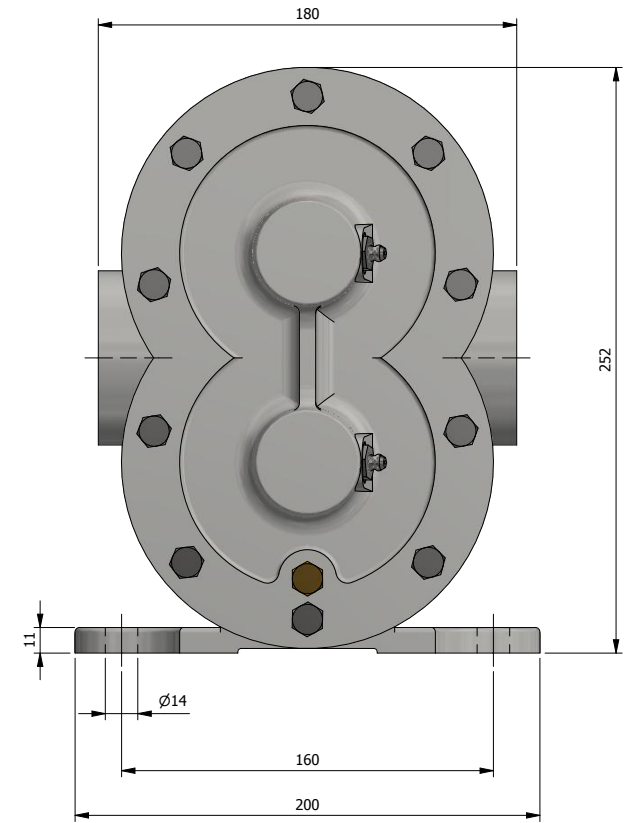
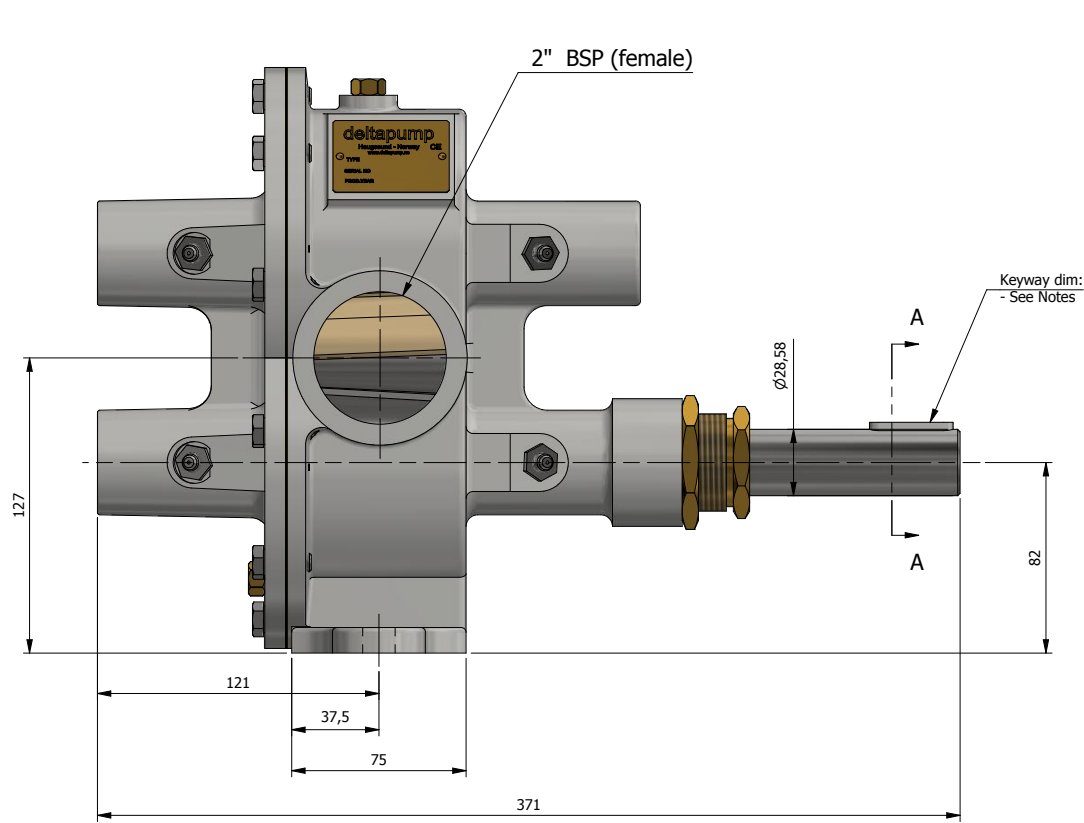


NOTES:
* A Name Plate, is mounted on the Pump

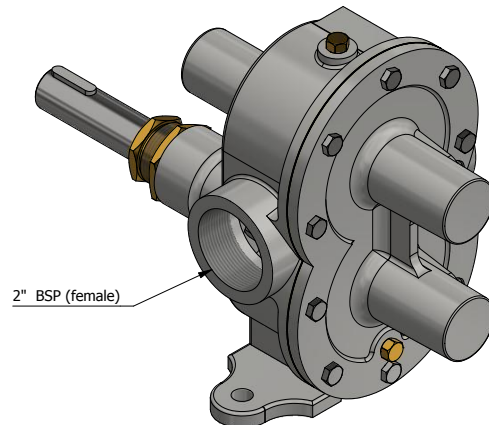
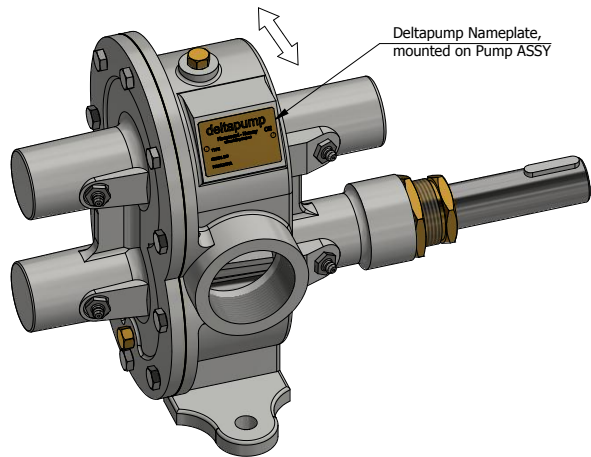
ITEM	QTY	STOCK NUMBER	DESCRIPTION	MATERIAL
1	1	4200PT	Delta 400-200PT - Pump ASSY	-
2	1	250725	400-200/212PT R37/R47 - Coupl. Protect. Cover	AISI 316, Stainless Steel
3	1	N/A	Electric Motor SEW R37 - Size 100	Cast iron/Alu.
4	4	255259	400-200PT R37 - Spacer for Base plate	AISI 316, Stainless Steel
5	1	250717	400-200/212 R37/R47 - Base Plate	AISI 316, Stainless Steel

Material: -

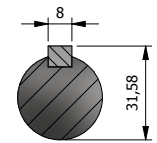
Unless otherwise specified: Dimensions are in MM Machining Tolerances are: NS-ISO-2768-1-M NS-ISO-2768-2-K Surface Finish: Ra3.2 Size: A3 Do Not Scale	Designed by	Date	Deltapump AS 5537 Haugesund Norway	SINCE 1878 deltapump deltapump.no orgnr: 992 107 626
	Checked by	Date		
Projection Angle	Approved by	Date	Sheet	This drawing and the information contained in it are proprietary and the sole property of DELTAPUMP A.S. and any use, reproduction or distribution, in whole or part, without the prior written consent is prohibited.
	Description: Delta 400-200PT R37 - Pump & Motor - OUTLINE		Stock Number: N/A	



NOTE:
Deltapump gear-pumps functions in both directions INLET/OUTLET(Flow) is selectable if you change the motor turn direction.



Notes
Keyway dimensions:
Length : 36mm
Width : 8mm



Section A-A

NOTES:
* A Name Plate, is mounted on the Pump

Material: -		Designed by Date		Deltapump AS 5537 Haugesund Norway		SINCE 1878	
Unless otherwise specified: Dimensions are in MM		RSK 16/04/2019		Mass (kg)		deltapump deltapump.no orgnr: 992 107 626	
Machining Tolerances are: NS-ISO-2768-1-M NS-ISO-2768-2-K Surface Finish: Ra3.2 Size: A3 Do Not Scale		Checked by Date		21.11 kg			
Projection Angle		Approved by Date		Sheet 1 of 1		This drawing and the information contained in it are proprietary and the sole property of DELTAPUMP A.S. and any use, reproduction or distribution, in whole or part, without the prior written consent is prohibited.	
Description: Delta 400-200PH - Pump ASSY - OUTLINE				Stock Number: 4200PH		Drawing Reference: DP160223 Rev. 0	

Pumpekarakteristikk DELTA 400-serien

