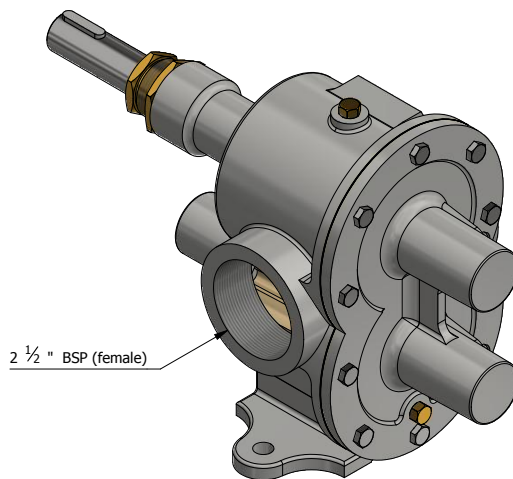
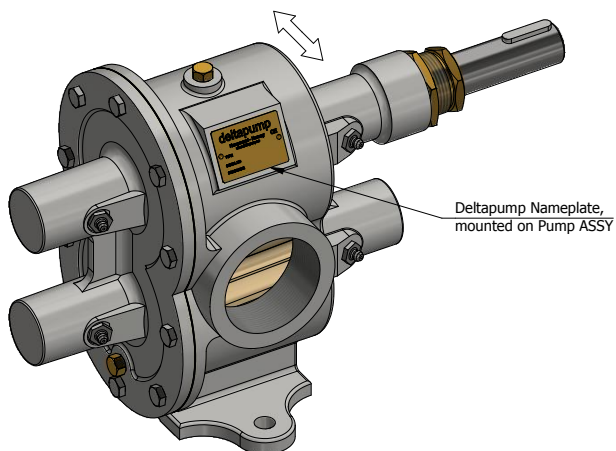
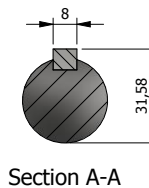



**NOTE:**  
Deltapump gear-pumps functions in both directions INLET/OUTLET(Flow) is selectable if you change the motor turn direction.

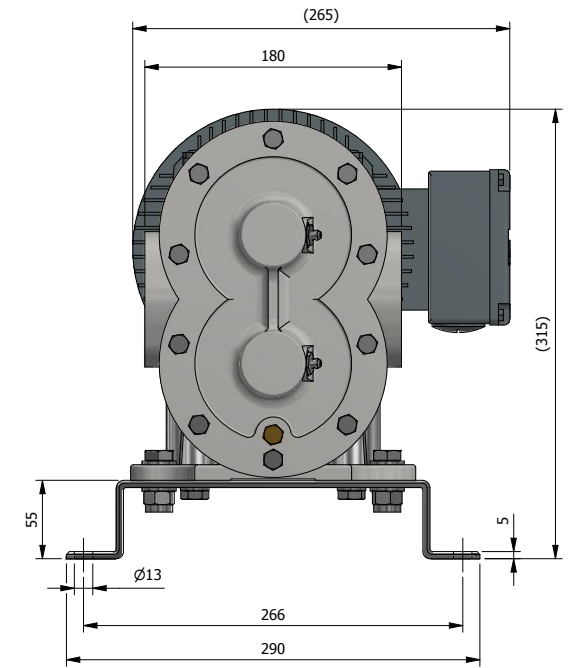
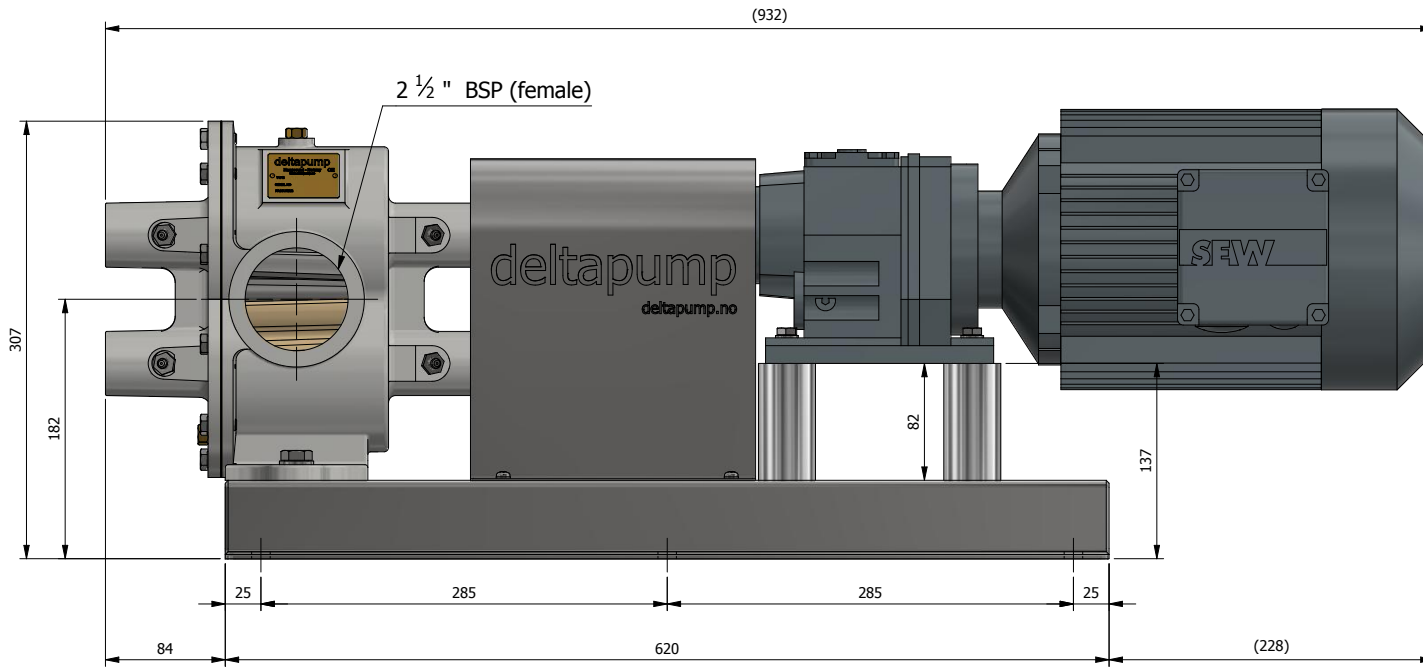


**Notes**  
Keyway dimensions:  
Length : 36mm  
Width : 8mm

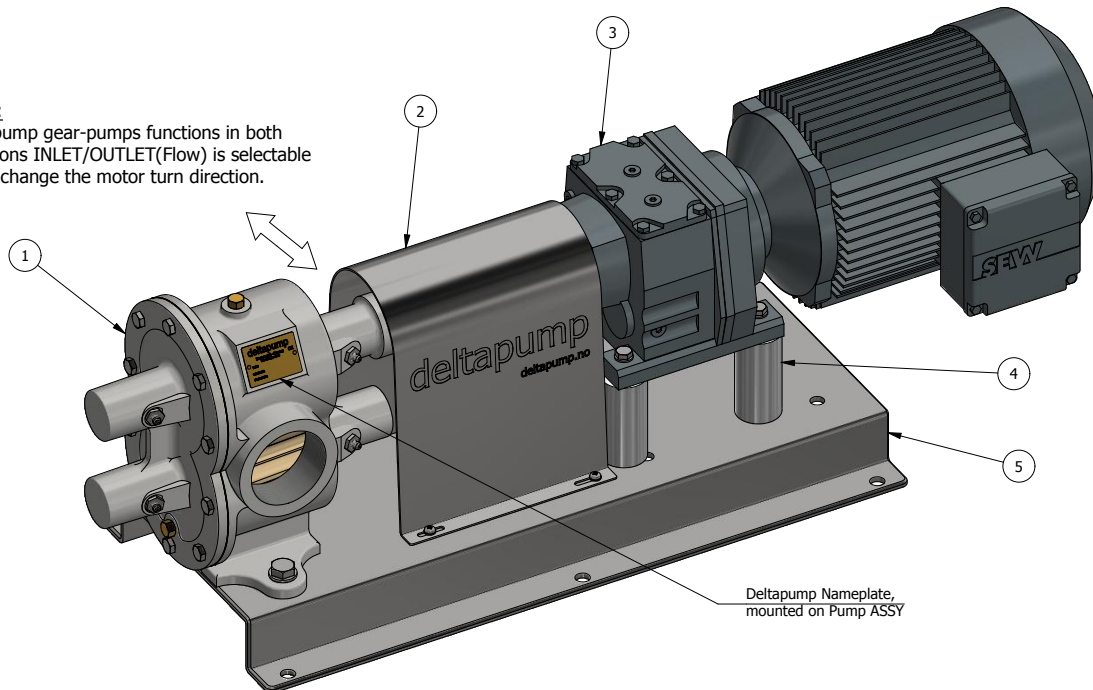


**NOTES:**  
\* A Name Plate, is mounted on the Pump

Material: -		Designed by RSK		Date 16/04/2019	Deltapump AS 5537 Haugesund Norway	 <p>SINCE 1878</p> <p>deltapump.no   orgnr: 992 107 626</p>
Unless otherwise specified: Dimensions are in MM		Checked by		Date	Mass (kg)	
Machining Tolerances are: NS-ISO-2768-1-M NS-ISO-2768-2-K Surface Finish: Ra3.2 Size: A3   Do Not Scale		Approved by		Date	Sheet 1 of 1	<p>This drawing and the information contained in it are proprietary and the sole property of DELTAPUMP A.S. and any use, reproduction or distribution, in whole or part, without the prior written consent is prohibited.</p>
Projection Angle		Description: Delta 400-212PT - Pump ASSY - OUTLINE		Stock Number: 4212PT	Drawing Reference: DP160225	



**NOTE:**  
Deltapump gear-pumps functions in both directions INLET/OUTLET(Flow) is selectable if you change the motor turn direction.



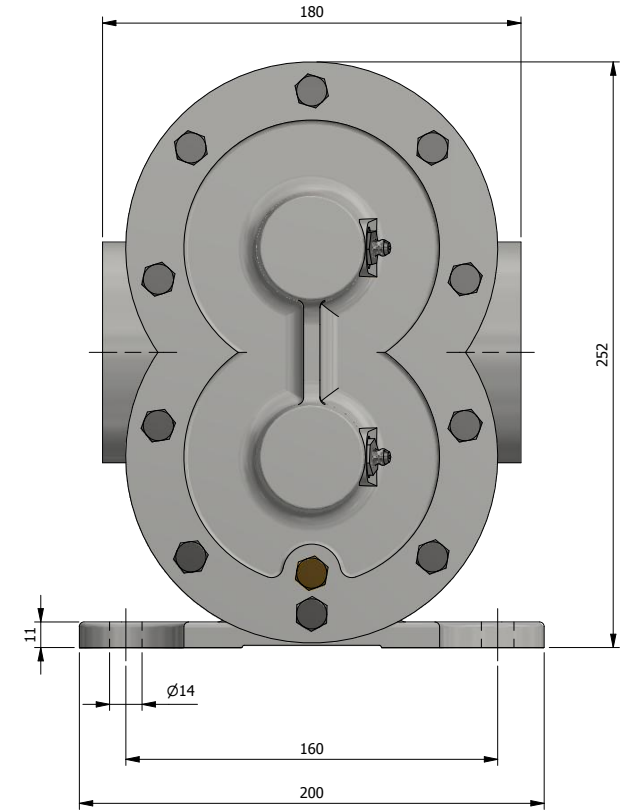
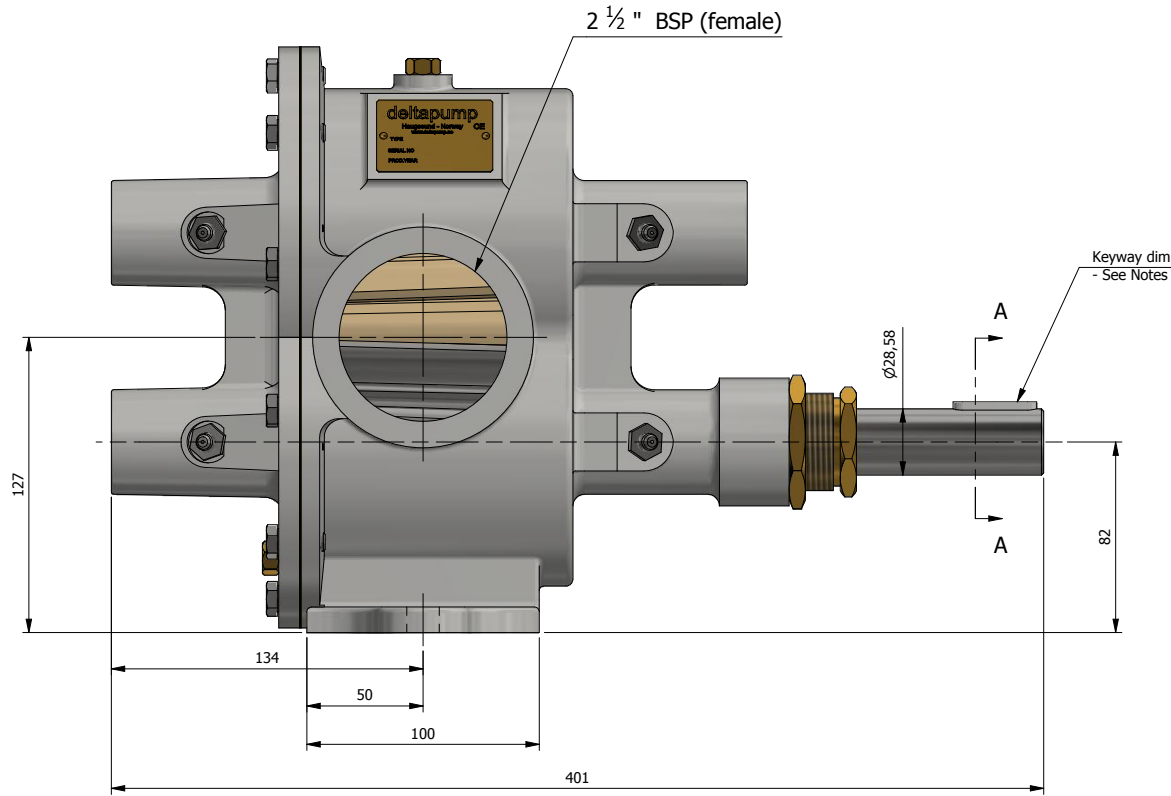
**NOTES:**

\* A Name Plate, is mounted on the Pump

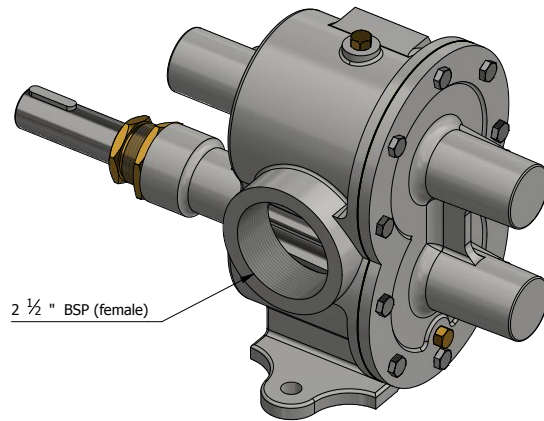
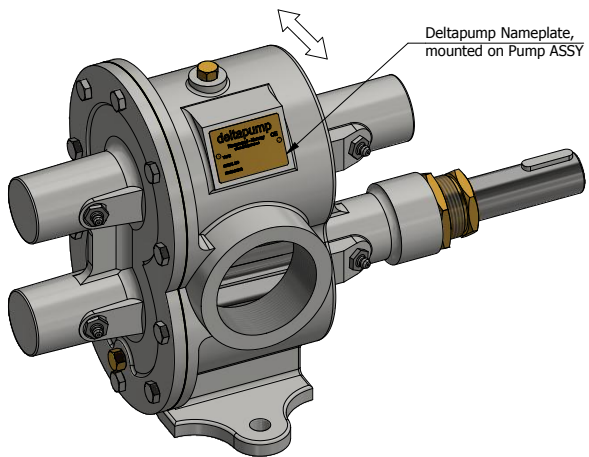
ITEM	QTY	STOCK NUMBER	DESCRIPTION	MATERIAL
1	1	4212PT	Delta 400-212PT - Pump ASSY	-
2	1	250725	400-200/212PT R37/R47 - Coupl. Protect. Cover	AISI 316, Stainless Steel
3	1	N/A	Electric Motor SEW R37 - Size 100	Cast iron/Alu.
4	4	255259	400-200PT R37 - Spacer for Base plate	AISI 316, Stainless Steel
5	1	250717	400-200/212 R37/R47 - Base Plate	AISI 316, Stainless Steel

Material: -

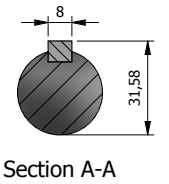
Unless otherwise specified: Dimensions are in MM Machining Tolerances are: NS-ISO-2768-1-M NS-ISO-2768-2-K Surface Finish: Ra3.2 Size: A3   Do Not Scale	Designed by	Date	Deltapump AS 5537 Haugesund Norway	SINCE 1878 <b>deltapump</b> deltapump.no   orgnr: 992 107 626
	RSK	23/05/2019		
	Checked by	Date	Mass (kg)	This drawing and the information contained in it are proprietary and the sole property of DELTAPUMP A.S. and any use, reproduction or distribution, in whole or part, without the prior written consent is prohibited.
			82.07 kg	
Projection Angle	Approved by	Date	Sheet	Description: Delta 400-212PT R37 - Pump & Motor - OUTLINE Stock Number: N/A Drawing Reference: DP160184 Rev. 0
			1 of 1	




**NOTE:**  
Deltapump gear-pumps functions in both directions INLET/OUTLET(Flow) is selectable if you change the motor turn direction.



**Notes**  
Keyway dimensions:  
Length : 36mm  
Width : 8mm



**NOTES:**  
\* A Name Plate, is mounted on the Pump

Material: -		Designed by RSK		Date 16/04/2019	Deltapump AS 5537 Haugesund Norway	 <p>SINCE 1878 deltapump.no   orgnr: 992 107 626</p>
Unless otherwise specified: Dimensions are in MM		Checked by		Date	Mass (kg)	
Machining Tolerances are: NS-ISO-2768-1-M NS-ISO-2768-2-K Surface Finish: Ra3.2 Size: A3   Do Not Scale		Approved by		Date	Sheet 1 of 1	<p>This drawing and the information contained in it are proprietary and the sole property of DELTAPUMP A.S. and any use, reproduction or distribution, in whole or part, without the prior written consent is prohibited.</p>
Projection Angle		Description: Delta 400-212PH - Pump ASSY - OUTLINE		Stock Number: 4212PH	Drawing Reference: DP160227	

## Pumpekarakteristikk DELTA 400-serien

