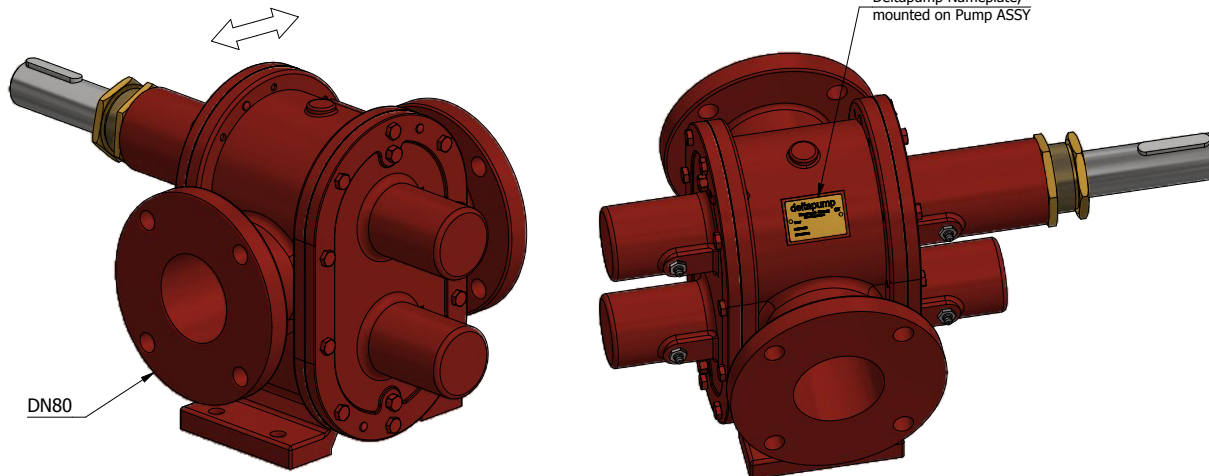
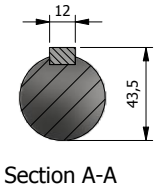


**NOTE:**  
Deltapump gear-pumps functions in both directions INLET/OUTLET(Flow) is selectable if you change the motor turn direction.



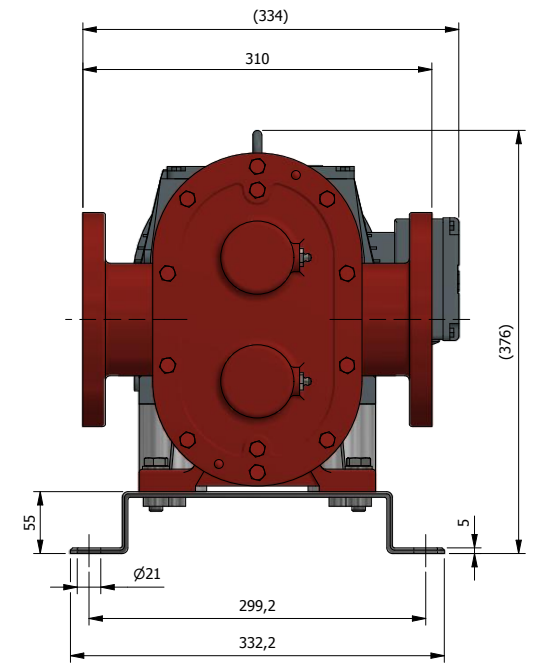
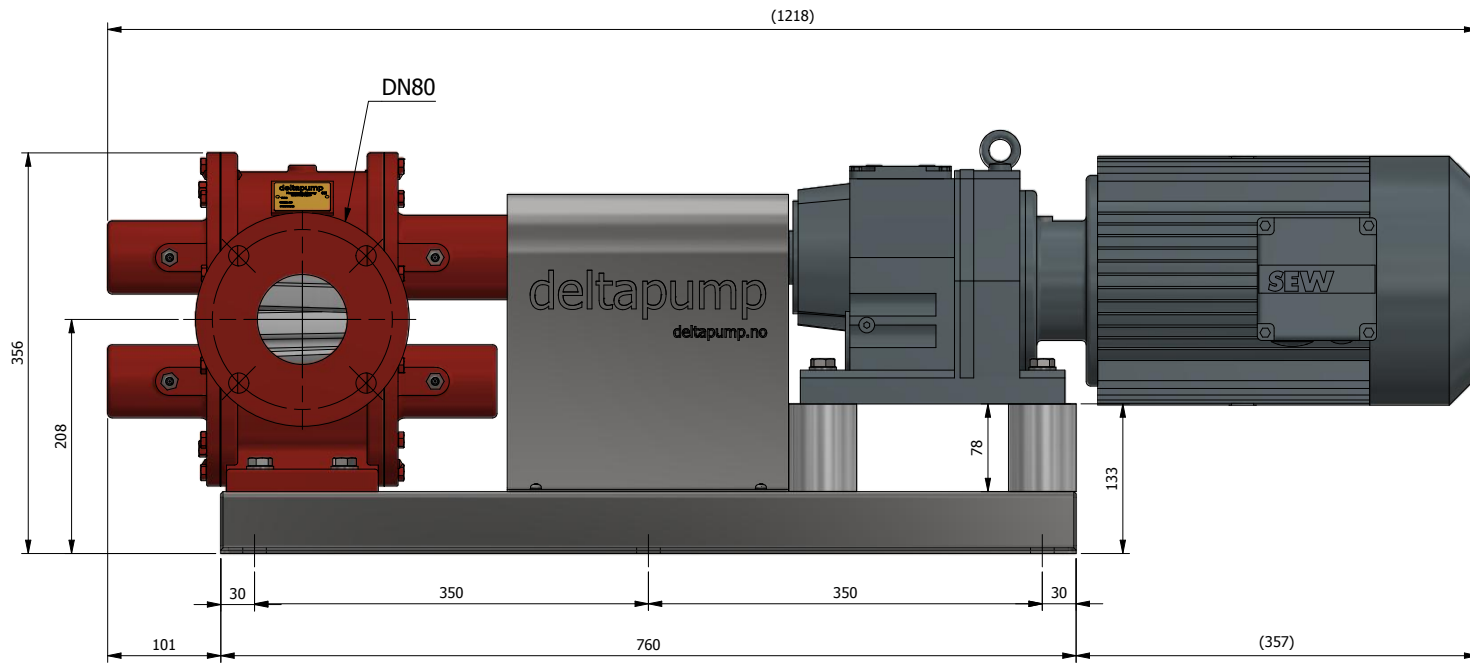
**Notes**  
Keyway dimensions:  
Length : 63mm  
Width : 12mm



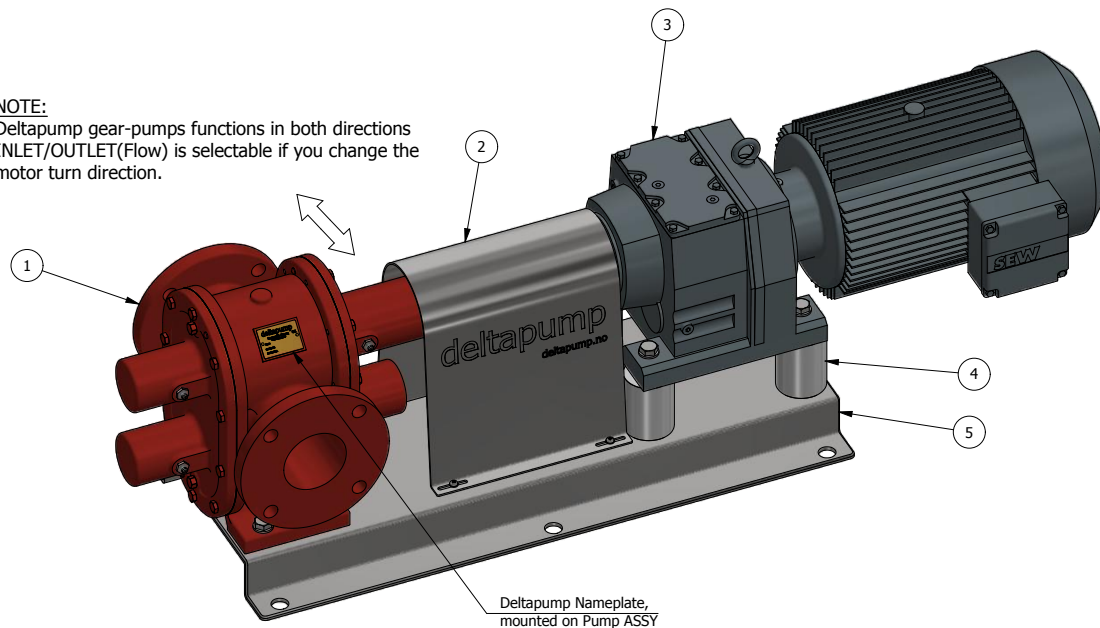
**NOTES:**

- \* A Name Plate, is mounted on the Pump
- \* Flange DN80: PCD Ø160 - 4 holes Ø18

Material: -		Designed by Date		Deltapump AS 5537 Haugesund Norway	SINCE 1878
Unless otherwise specified: Dimensions are in MM		RSK	23/05/2019		
Machining Tolerances are: NS-ISO-2768-1-M NS-ISO-2768-2-K Surface Finish: Ra3.2 Size: A3   Do Not Scale		Checked by	Date	Mass (kg)	<b>deltapump</b> deltapump.no   orgnr: 992 107 626
Projection Angle		Approved by	Date	58.92 kg	
Description: Delta 400J-300PT - Pump ASSY - OUTLINE		Sheet 1 of 1		This drawing and the information contained in it are proprietary and the sole property of DELTAPUMP A.S. and any use, reproduction or distribution, in whole or part, without the prior written consent is prohibited.	
		Stock Number: 4300JPT		Drawing Reference: DP160167 Rev. 0	



**NOTE:**  
Deltapump gear-pumps functions in both directions  
INLET/OUTLET(Flow) is selectable if you change the  
motor turn direction.



Deltapump Nameplate,  
mounted on Pump ASSY

**NOTES:**

- \* A Name Plate, is mounted on the Pump
- \* Flange DN80: PCD Ø160 - 4 holes Ø18

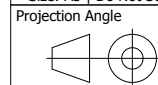
ITEM	QTY	STOCK NUMBER	DESCRIPTION	MATERIAL
1	1	4300JPT	Delta 400J-300PT - Pump ASSY	-
2	1	250726	400J-300PT R67 - Coupling Protection Cover	AISI 316, Stainless Steel
3	1	N/A	Electric Motor SEW R67 - Size 132	Cast iron/Alu
4	4	251960	400J-300PT R67 - Spacer for Base plate	AISI 316, Stainless Steel
5	1	251959	400J-300PT R67 - Base Plate	AISI 316, Stainless Steel

Material: -

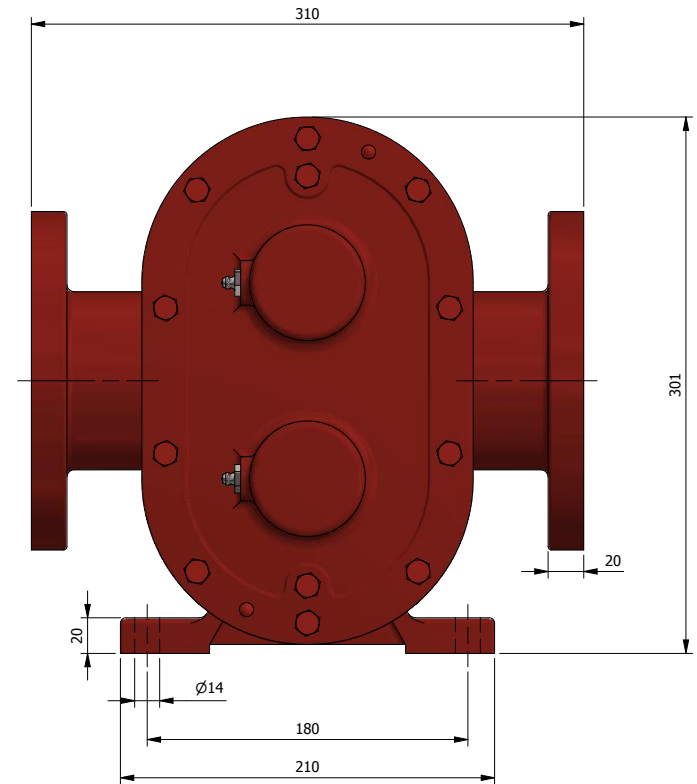
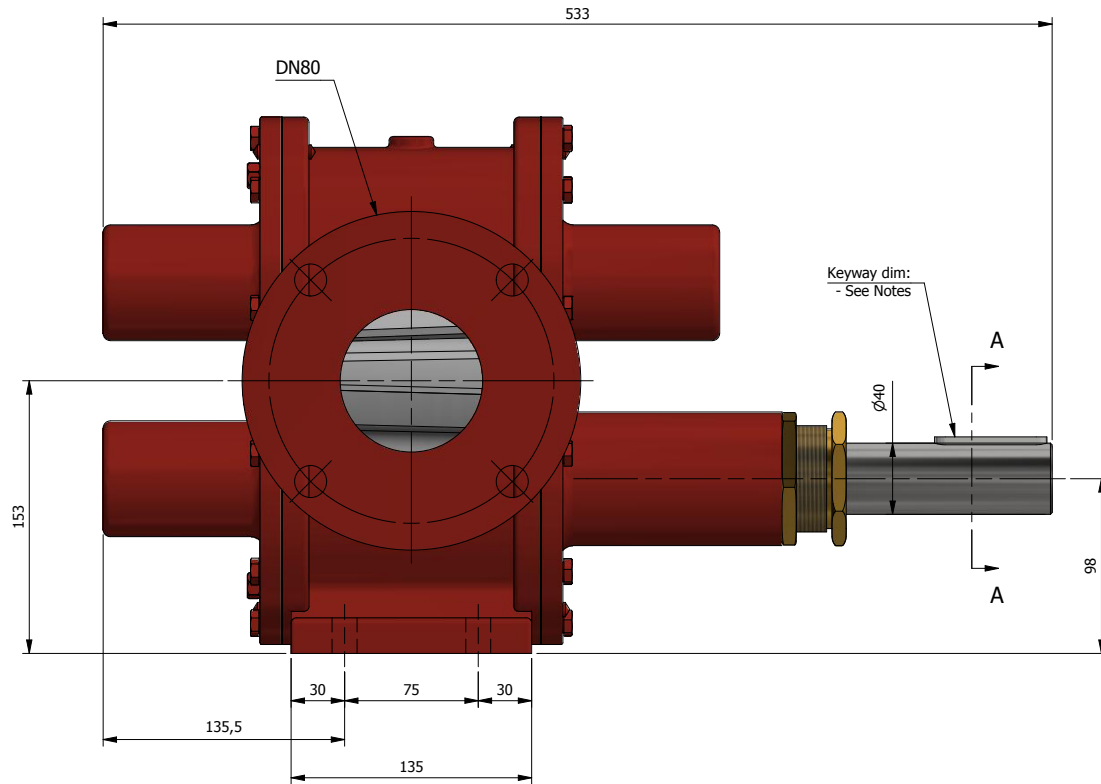
Unless otherwise specified:  
Dimensions are in MM  
Machining Tolerances are:  
NS-ISO-2768-1-M  
NS-ISO-2768-2-K  
Surface Finish: Ra3.2  
Size: A3 | Do Not Scale

Designed by	Date	Deltapump AS 5537 Haugesund Norway
Checked by	Date	Mass (kg) 166.34 kg
Approved by	Date	Sheet 1 of 1

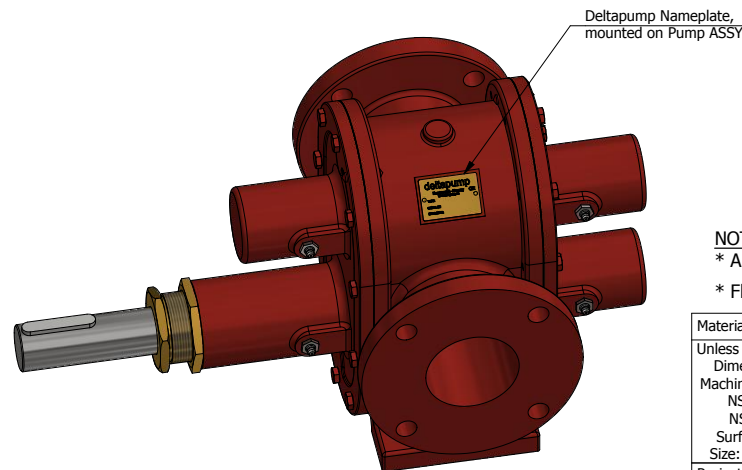
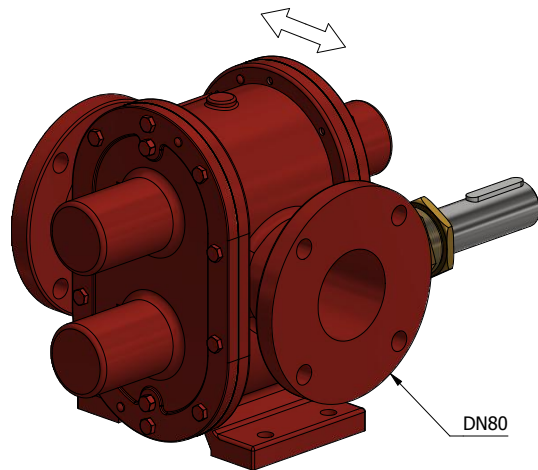
SINCE 1878  
**deltapump**  
deltapump.no | orgnr: 992 107 626



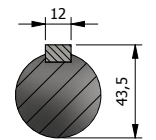
Description: Delta 400J-300PT R67 - Pump & Motor - OUTLINE  
Stock Number: N/A  
Drawing Reference: DP160166  
Rev. 0



**NOTE:**  
 Deltapump gear-pumps functions in both directions  
 INLET/OUTLET(Flow) is selectable if you change the motor turn direction.




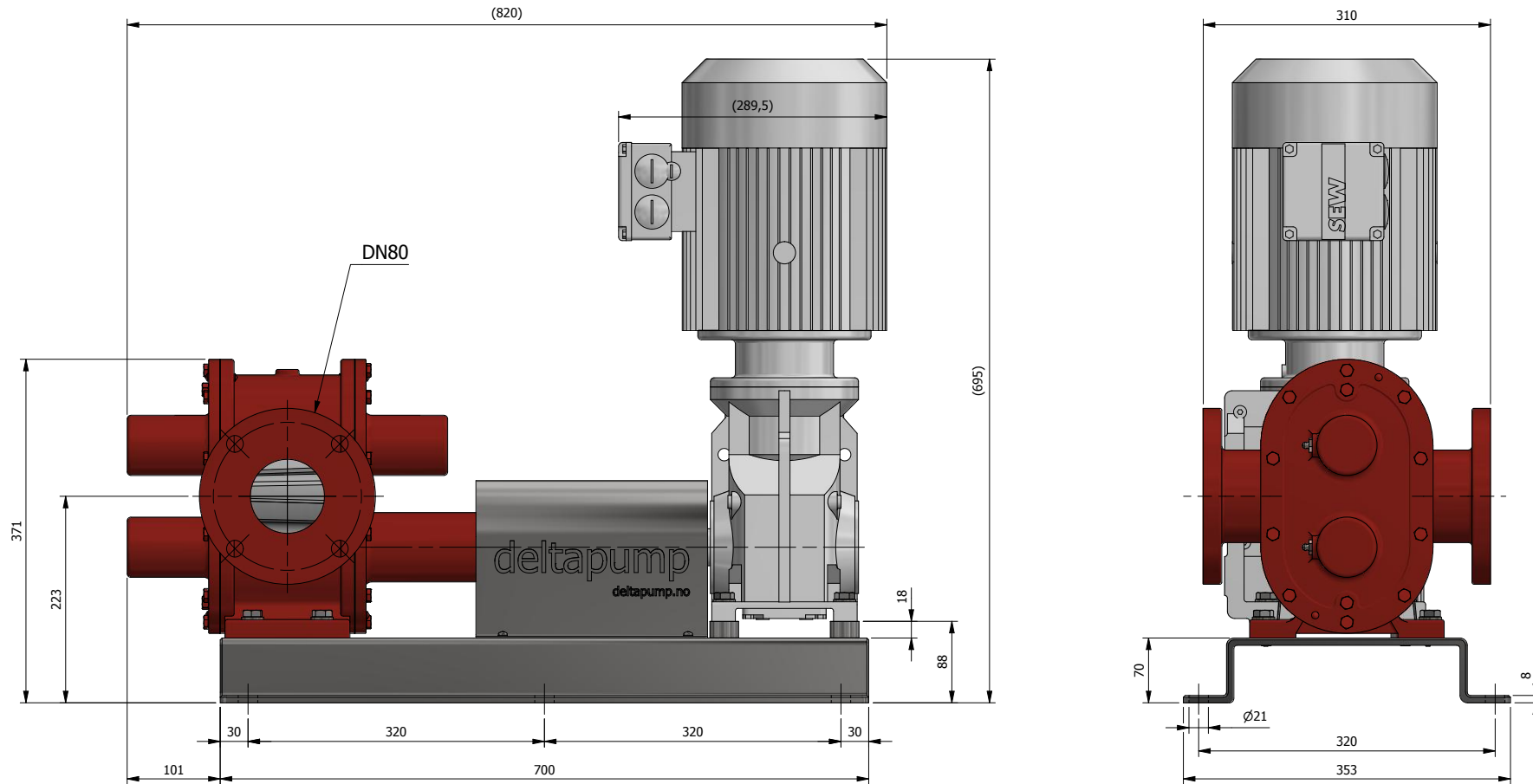
**Notes**  
 Keyway dimensions:  
 Length : 63mm  
 Width : 12mm



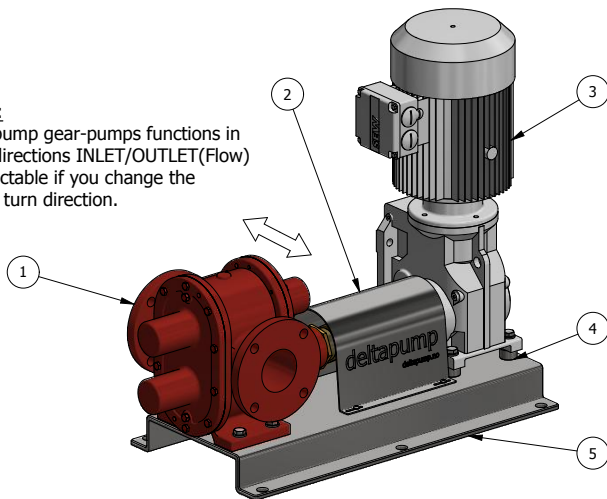
Section A-A

**NOTES:**  
 \* A Name Plate, is mounted on the Pump  
 \* Flange DN80: PCD Ø160 - 4 holes Ø18

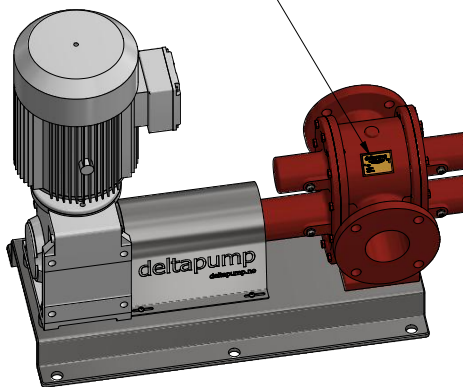
Material: -		Designed by		Date	Deltapump AS	SINCE 1878
Unless otherwise specified: Dimensions are in MM		RSK	23/05/2019		5537 Haugesund Norway	
Machining Tolerances are: NS-ISO-2768-1-M NS-ISO-2768-2-K Surface Finish: Ra3.2 Size: A3   Do Not Scale		Checked by	Date	Mass (kg)	58.92 kg	 <a href="http://deltapump.no">deltapump.no</a>   orgnr: 992 107 626
Projection Angle		Approved by	Date	Sheet	1 of 1	
Description: Delta 400J-300PH - Pump ASSY - OUTLINE		Stock Number:		Drawing Reference:		
		4300JPH		DP160220		Rev. 0



**NOTE:**  
Deltapump gear-pumps functions in both directions INLET/OUTLET(Flow) is selectable if you change the motor turn direction.



Deltapump Nameplate, mounted on Pump ASSY



**NOTES:**

\* A Name Plate, is mounted on the Pump

\* Flange DN80: PCD Ø160 - 4 holes Ø18

ITEM	QTY	STOCK NUMBER	DESCRIPTION	MATERIAL
1	1	4300JPH	Delta 400J-300PH - Pump ASSY	-
2	1	255041	400J-300PH K57 - Coupling Protection Cover	AISI 316, Stainless Steel
3	1	N/A	Electric Motor SEW K57 - Size 132	-
4	4	255465	400J-300PH K57 - Spacer for Base plate	AISI 316L, Stainless Steel
5	1	255464	400J-300PH K57 - Base Plate	AISI 316, Stainless Steel

Material: -

Unless otherwise specified:  
Dimensions are in MM  
Machining Tolerances are:  
NS-ISO-2768-1-M  
NS-ISO-2768-2-K  
Surface Finish: Ra3.2  
Size: A3 | Do Not Scale

Designed by RSK  
Date 23/05/2019

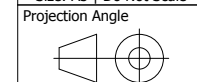
Deltapump AS  
5537 Haugesund  
Norway

Checked by  
Date  
Mass (kg)  
166.97 kg

Approved by  
Date  
Sheet  
1 of 1

SINCE 1878

[deltapump.no](http://deltapump.no) | orgnr: 992 107 626



Description: Delta 400J-300PH K57 - Pump & Motor - OUTLINE  
Stock Number: N/A  
Drawing Reference: DP160387  
Rev. 0

## Pumpekarakteristikk DELTA 400-serien

