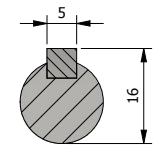



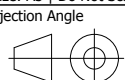
Notes
Keyway dimensions:
Length : 20mm
Width : 5mm

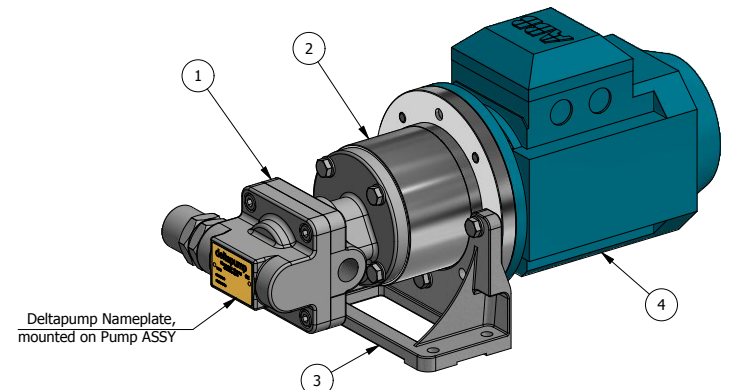
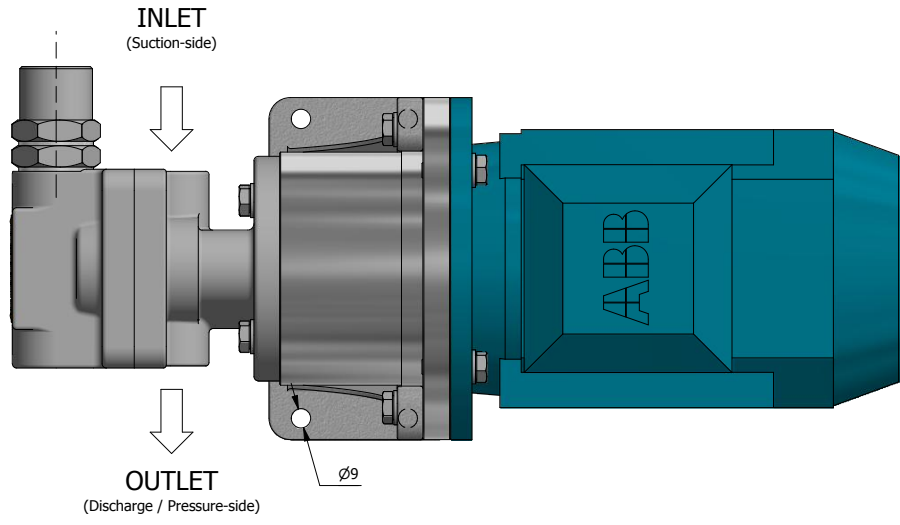
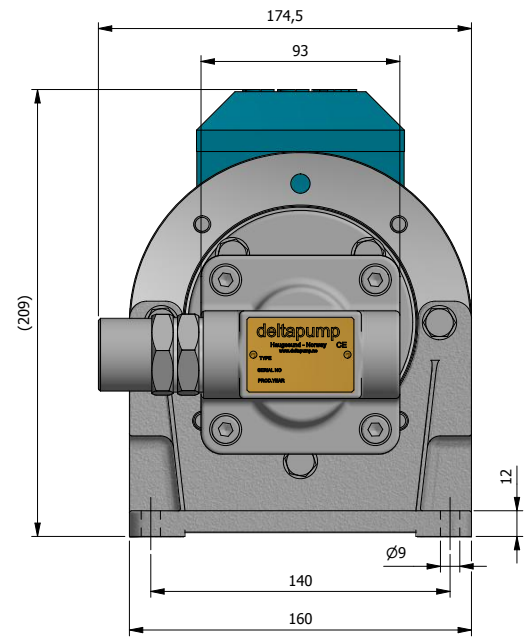
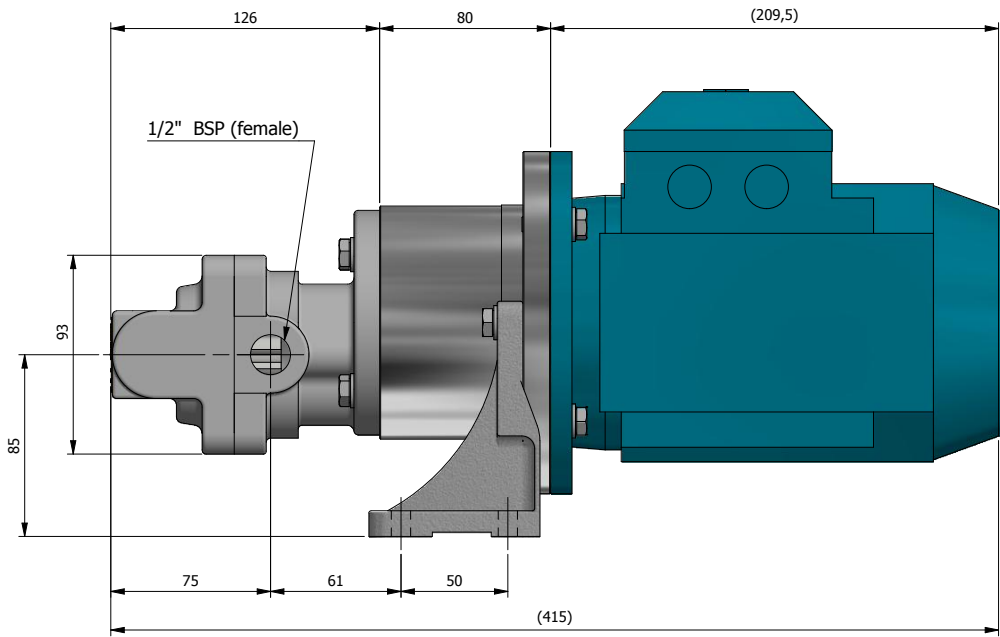


Section B-B

NOTES:

* A Name Plate, is mounted on the Pump


Material: -		Designed by RSK		Date 18/06/2019	Deltapump AS 5537 Haugesund Norway	 <p>SINCE 1878</p> <p>deltapump.no orgnr: 992 107 626</p>
Unless otherwise specified: Dimensions are in MM Machining Tolerances are: NS-ISO-2768-1-M NS-ISO-2768-2-K Surface Finish: Ra3.2 Size: A3 Do Not Scale		Checked by		Date	Mass (kg) 4.69 kg	
Projection Angle		Approved by		Date	Sheet 1 of 1	<p>This drawing and the information contained in it are proprietary and the sole property of DELTAPUMP A.S. and any use, reproduction or distribution, in whole or part, without the prior written consent is prohibited.</p>
		Description: Delta 596X - Pump ASSY - OUTLINE		Stock Number: 255195	Drawing Reference: DP160012	

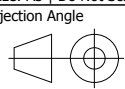


NOTES:
 * A Name Plate, is mounted on the Pump

ITEM	QTY	STOCK NUMBER	DESCRIPTION	MATERIAL
1	1	255195	Delta 596X - Pump ASSY	-
2	1	255236	Belhousing	Aluminum
3	1	255237	Foot Flange	Aluminum
4	1	N/A	Electric Motor - Size 71 -B5	Alu./copper

Material: -

Unless otherwise specified: Dimensions are in MM Machining Tolerances are: NS-ISO-2768-1-M NS-ISO-2768-2-K Surface Finish: Ra3.2 Size: A3 Do Not Scale	Designed by	Date	Deltapump AS 5537 Haugesund Norway	 deltapump.no orgnr: 992 107 626
	RSK	18/06/2019		
Checked by	Date	Mass (kg)		
		12.89 kg		
	Approved by	Date	Sheet	This drawing and the information contained in it are proprietary and the sole property of DELTAPUMP A.S. and any use, reproduction or distribution, in whole or part, without the prior written consent is prohibited.
			1 of 1	

Projection Angle: 

Description: Delta 596X - Pump & Motor - OUTLINE 71 MOTOR Stock Number: N/A Drawing Reference: DP160011 Rev. 0

Pumpekaraktistikk DELTA 596(X)

