

Keyway dim:  
- See Notes

1" BSP (female)

deltapump.no

75

79

(209)

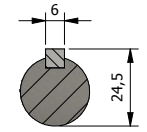
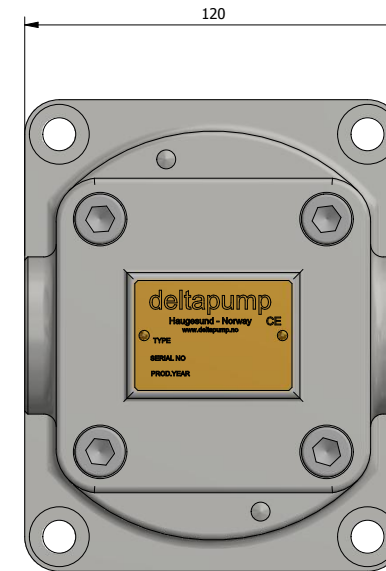
150

A

A

A

A

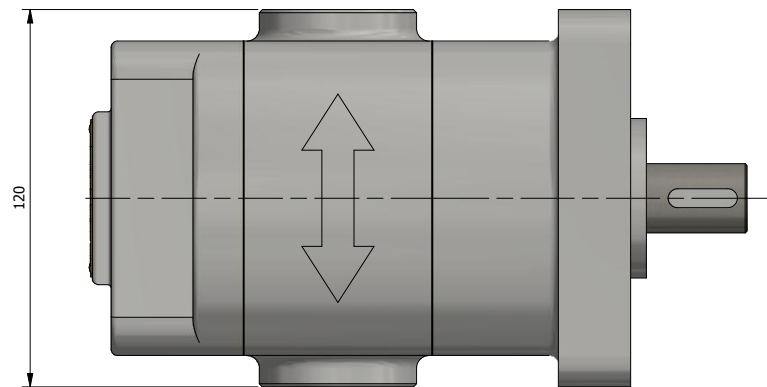


Section A-A

**Notes**

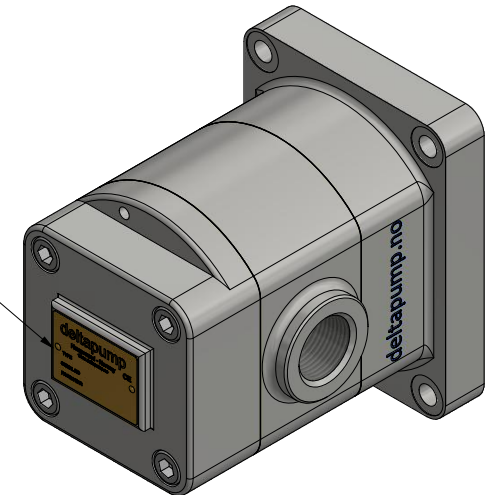
Keyway dimensions:  
Length : 22mm  
Width : 6mm

**NOTE:**  
Deltapump gear-pumps functions in both directions  
INLET/OUTLET(Flow) is selectable if you change the motor turn direction.




120

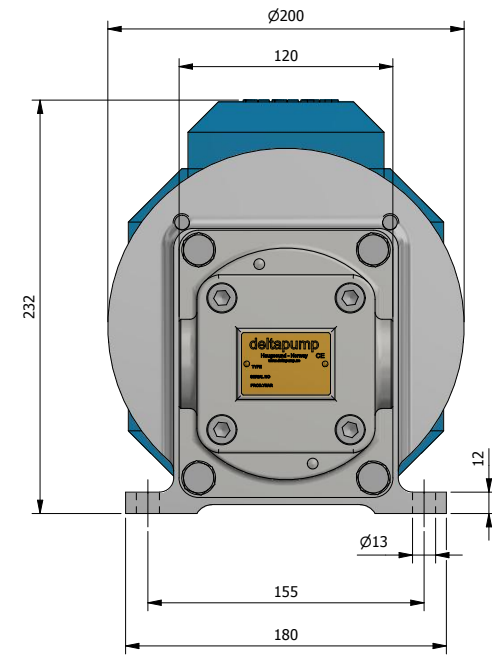
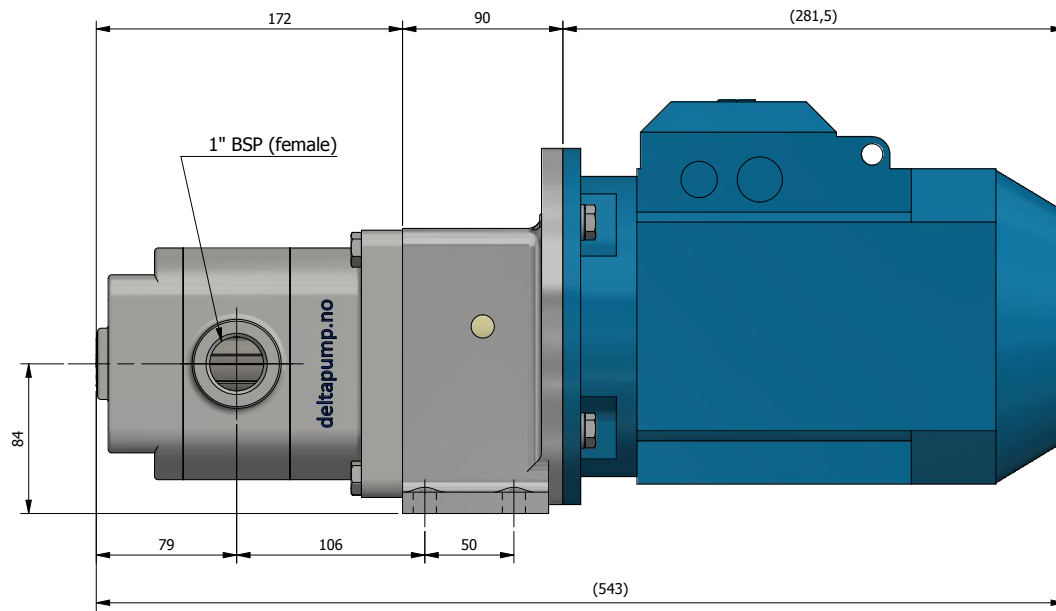
Deltapump Nameplate,  
mounted on Pump ASSY



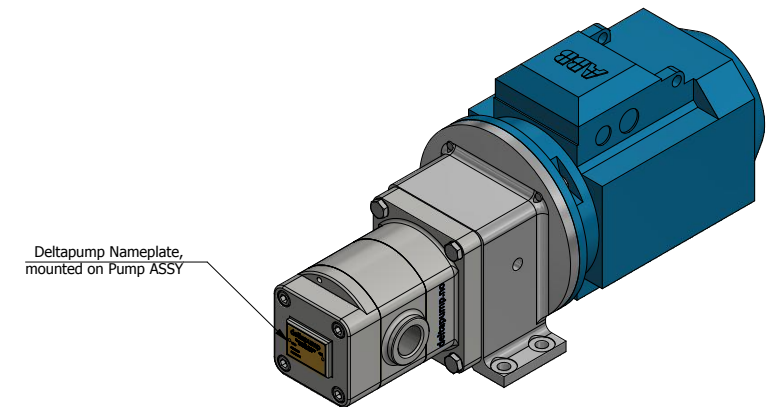
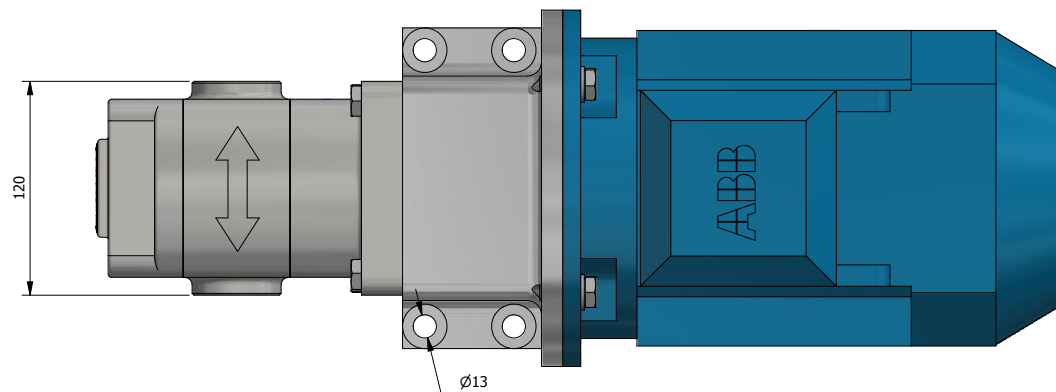
**NOTES:**

\* A Name Plate, is mounted on the Pump ( 599A - Stock Number : 255452 )

Material:		Deltapump AS 5537 Haugesund Norway		 <p>SINCE 1878</p> <p>deltapump.no   orgnr: 992 107 626</p>
Unless otherwise specified: Dimensions are in MM	Designed by	Date		
Machining Tolerances are: NS-ISO-2768-1-M NS-ISO-2768-2-K Surface Finish: Ra3.2 Size: A3   Do Not Scale	RSK	07/02/2019		
	Checked by	Date	Mass (kg)	
			13.05 kg	
Projection Angle	Approved by	Date	Sheet	<p>This drawing and the information contained in it are proprietary and the sole property of DELTAPUMP A.S. and any use, reproduction or distribution, in whole or part, without the prior written consent is prohibited.</p>
			1 of 1	
Description:		Delta 599A - Pump ASSY - OUTLINE		Stock Number: 255452 Drawing Reference: DP160052 Rev. 0



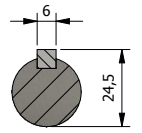
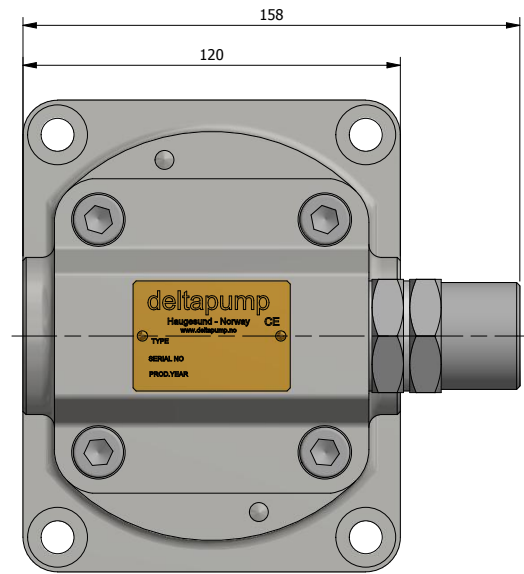
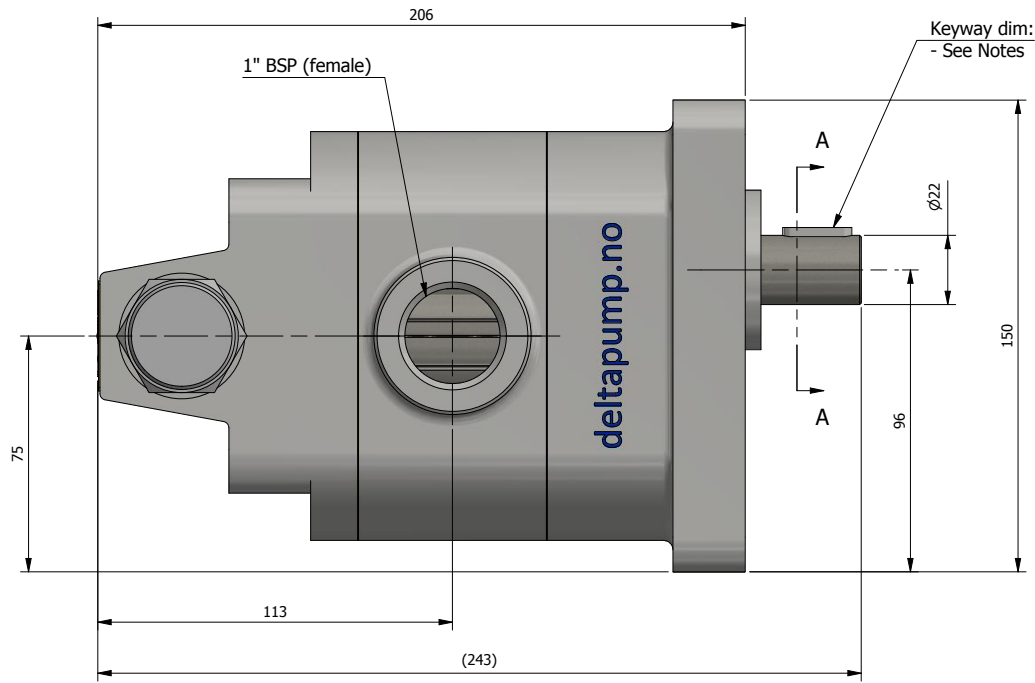
**NOTE:**  
 Deltapump gear-pumps functions in both directions  
 INLET/OUTLET(Flow) is selectable if you change the motor turn direction.



**NOTES:**

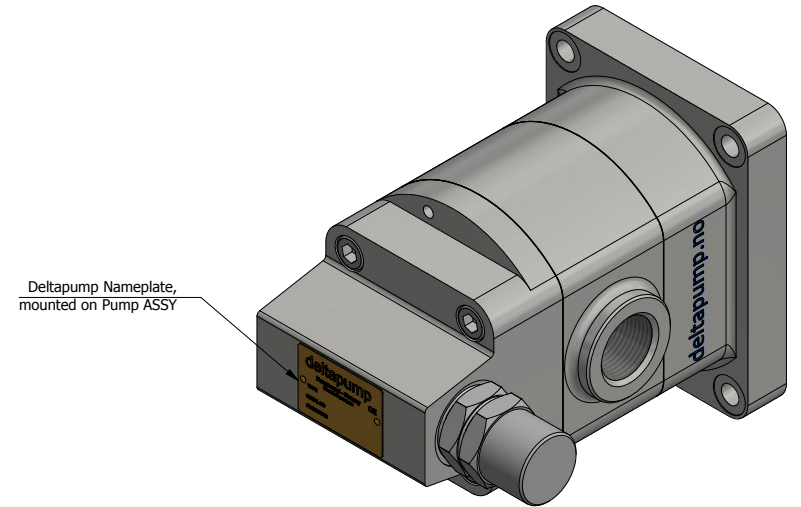
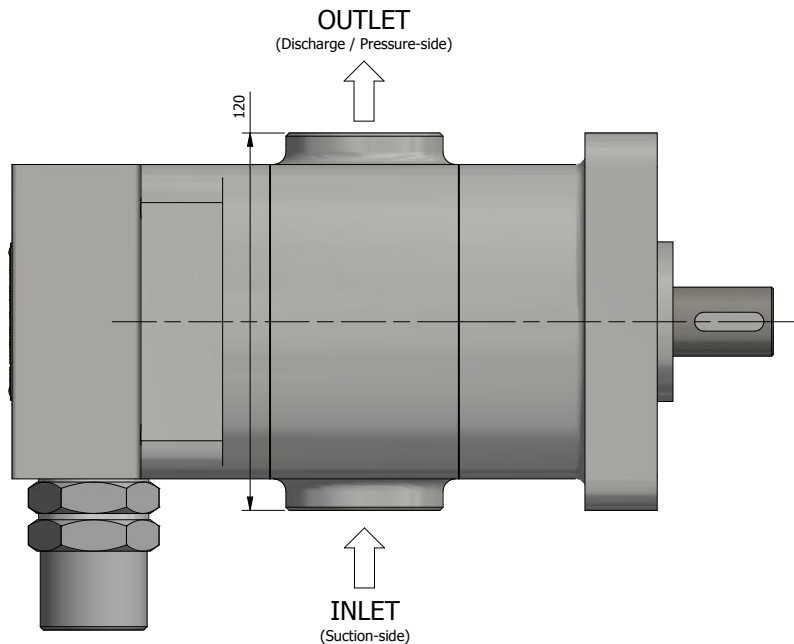
\* A Name Plate, is mounted on the Pump ( 599AX - Stock Number : 255452 )

Material:		Designed by		Date	Deltapump AS	SINCE 1878 <b>deltapump</b> deltapump.no   orgnr: 992 107 626
Unless otherwise specified: Dimensions are in MM		RSK	07/02/2019	5537 Haugesund Norway		
Machining Tolerances are: NS-ISO-2768-1-M NS-ISO-2768-2-K Surface Finish: Ra3.2 Size: A3   Do Not Scale		Checked by	Date	Mass (kg)	36.08 kg	This drawing and the information contained in it are proprietary and the sole property of DELTAPUMP A.S. and any use, reproduction or distribution, in whole or part, without the prior written consent is prohibited.
Projection Angle		Approved by	Date	Sheet	1 of 1	
Description: Delta 599A - Pump & Motor - OUTLINE 90 Motor		Stock Number:		Drawing Reference:		
		N/A		DP160049		Rev. 0




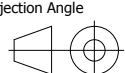
Section A-A

**Notes**  
 Keyway dimensions:  
 Length : 22mm  
 Width : 6mm



**NOTES:**

\* A Name Plate, is mounted on the Pump ( 599AX - Stock Number : 9-599AX )

Material:		Deltapump AS 5537 Haugesund Norway		 <a href="http://deltapump.no">deltapump.no</a>   orgnr: 992 107 626
Unless otherwise specified: Dimensions are in MM		Designed by	Date	
Machining Tolerances are: NS-ISO-2768-1-M NS-ISO-2768-2-K Surface Finish: Ra3.2 Size: A3   Do Not Scale		RSK	07/02/2019	Mass (kg) 14.08 kg
Projection Angle		Checked by	Date	Sheet 1 of 1
		Approved by	Date	Description: Delta 599AX - Pump ASSY - OUTLINE
		Stock Number: 9-599AX		Drawing Reference: DP160051 Rev. 0

SINCE 1878

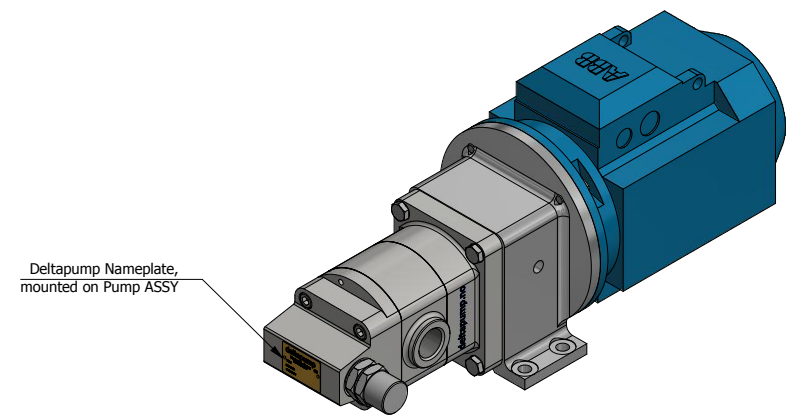
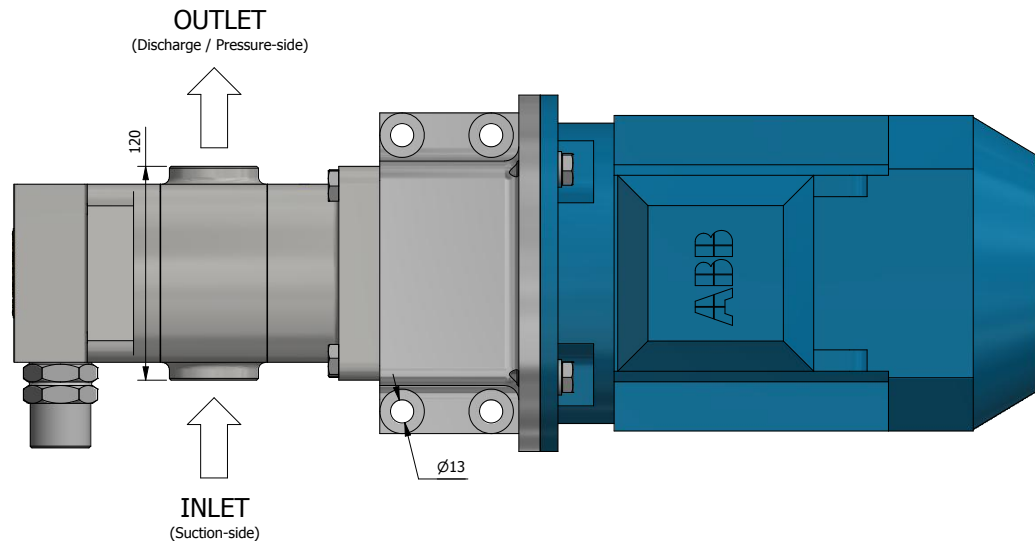
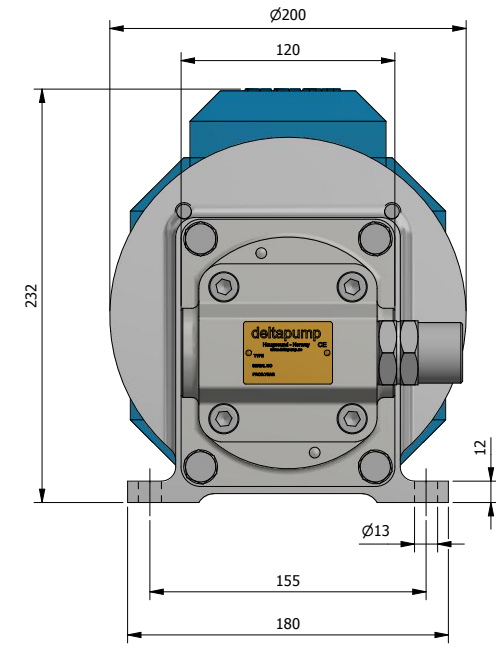
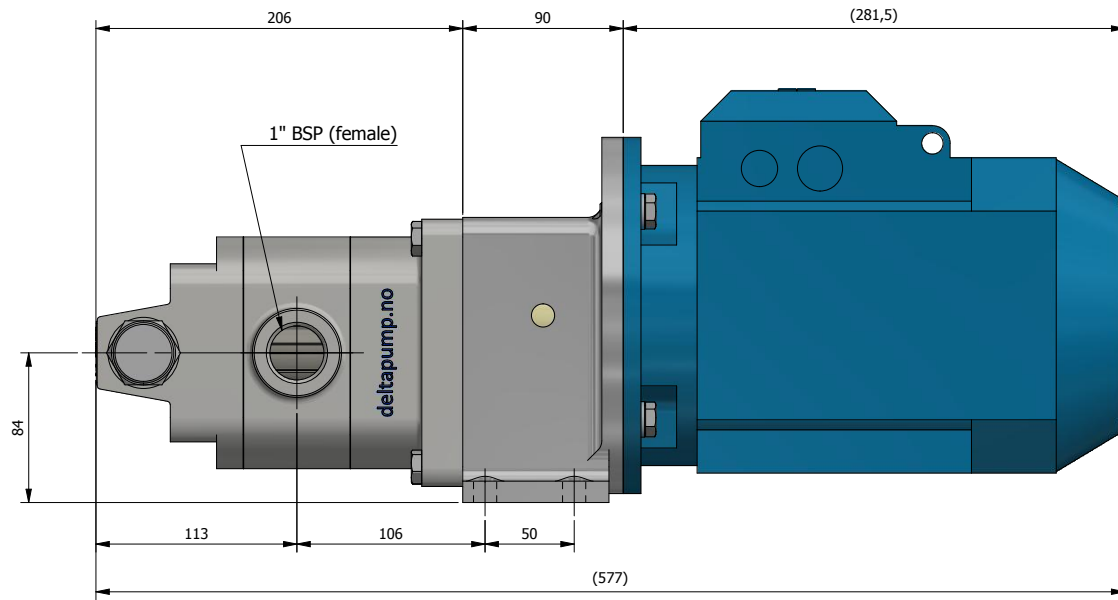
**deltapump**

[deltapump.no](http://deltapump.no) | orgnr: 992 107 626

This drawing and the information contained in it are proprietary and the sole property of DELTAPUMP A.S. and any use, reproduction or distribution, in whole or part, without the prior written consent is prohibited.


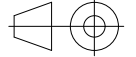
Description:  
Delta 599AX - Pump ASSY - OUTLINE

Stock Number: 9-599AX  
 Drawing Reference: DP160051 Rev. 0



**NOTES:**

\* A Name Plate, is mounted on the Pump ( 599AX - Stock Number : 9-599AX )

Material:				 <a href="http://deltapump.no">deltapump.no</a>   orgnr: 992 107 626		SINCE 1878	
Unless otherwise specified: Dimensions are in MM						Designed by	Date
Machining Tolerances are:				RSK	07/02/2019	5537 Haugesund	This drawing and the information contained in it are proprietary and the sole property of DELTAPUMP A.S. and any use, reproduction or distribution, in whole or part, without the prior written consent is prohibited.
NS-ISO-2768-1-M				Checked by	Date	Norway	
NS-ISO-2768-2-K				Approved by	Date	Sheet	Stock Number: N/A Drawing Reference: DP160050
Surface Finish: Ra3.2				Projection Angle		1 of 1	
Size: A3   Do Not Scale						Rev. 0	

### Pumpekarakteristikk DELTA 599A(X)

