

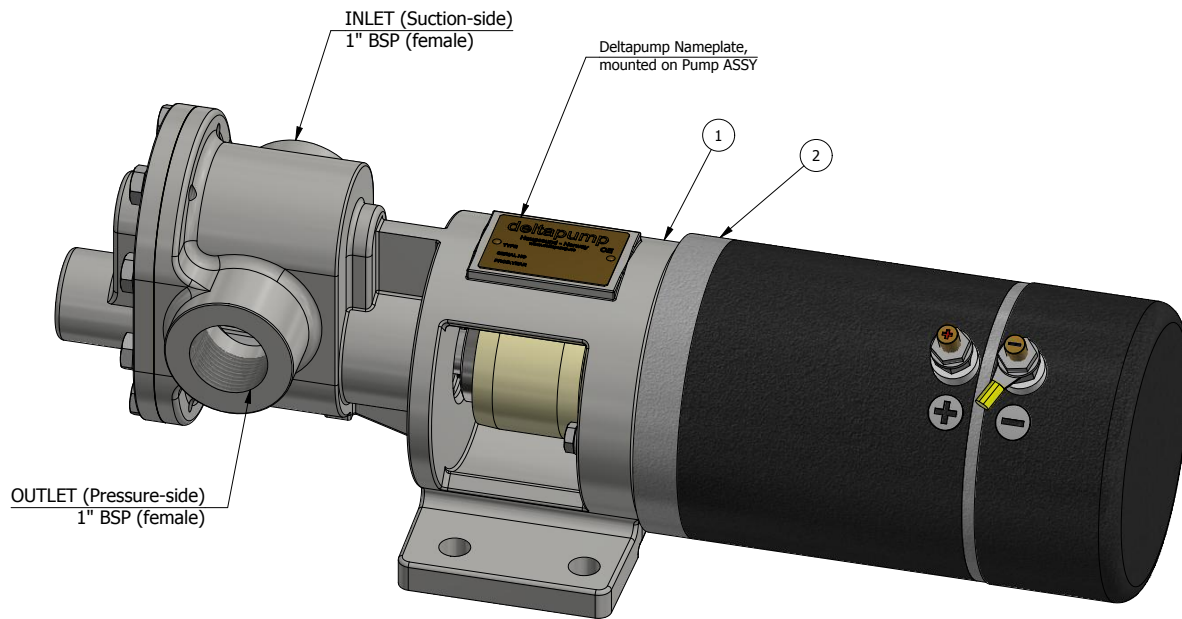
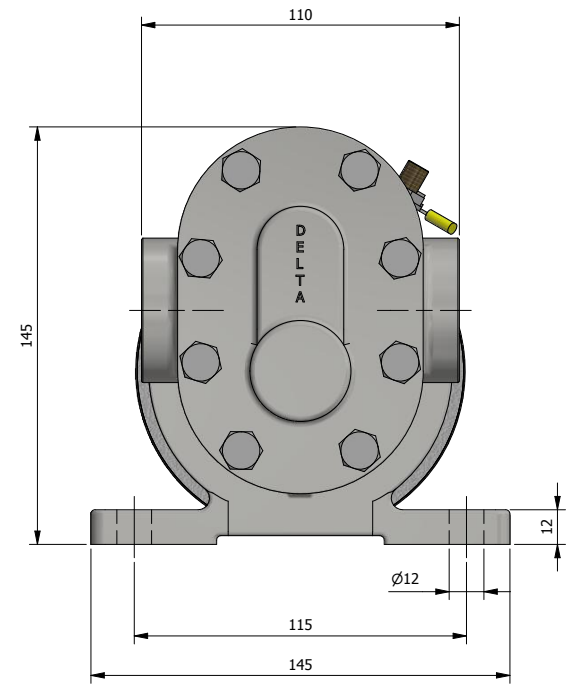
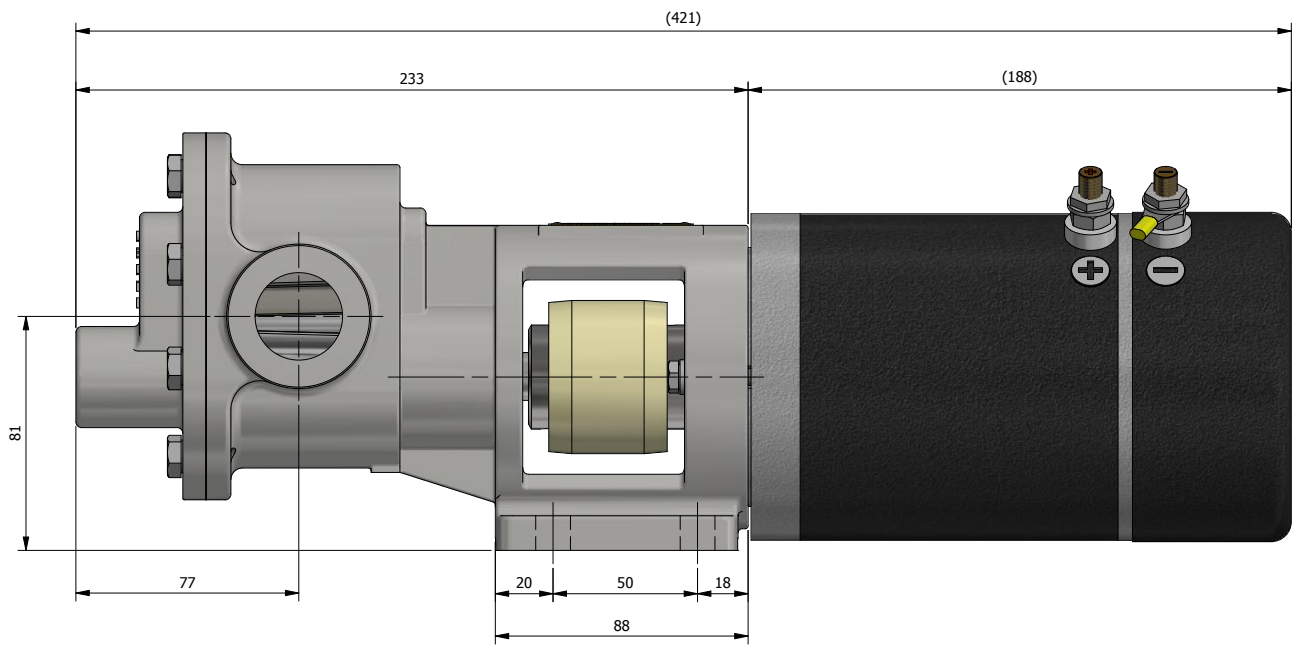


Material: -			 SINCE 1878 <a href="http://deltapump.no">deltapump.no</a>   orgrn: 992 107 626	
Unless otherwise specified: Dimensions are in MM Machining Tolerances are: NS-ISO-2768-1-M NS-ISO-2768-2-K Surface Finish: Ra3.2 Size: A3   Do Not Scale				
Designed by	Date	Deltapump AS	5537 Haugesund Norway	
RSK	17/09/2019	Checked by		
	17/09/2019	Mass (kg)	5.94 kg	
Approved by	Date	Sheet	1 of 1 This drawing and the information contained in it are proprietary and the sole property of DELTAPUMP A.S. and any use, reproduction or distribution, in whole or part, without the prior written consent is prohibited.	
	17/09/2019	1 of 1		
Projection Angle		Description:		Stock Number:
		Delta 595A - Pump ASSY - OUTLINE		Drawing Reference:
				9-595A DP160066 Rev. 0



**DELTA 595A 24V**

Flow rate: 120l/min  
 Hose dimension, inlet/outlet: 1" BSP (female)  
 Suction height: 3-4 meters  
 Rated power: 0,84kW  
 Rated voltage: 24V DC  
 Rated current: 47A  
 Rated Speed: 2500 rpm  
 Operation mode: MAX 12min  
 Protection class: IP44  
 Rotation: CW  
 Weight: 14kg (w/ motor)

ITEM	QTY	STOCK NUMBER	DESCRIPTION	MATERIAL
1	1	9-595A-24V	Delta 595A - Pump ASSY	-
2	1	250671	DC Motor 0,84 kW 24V 2500 rpm	Alu/Copper

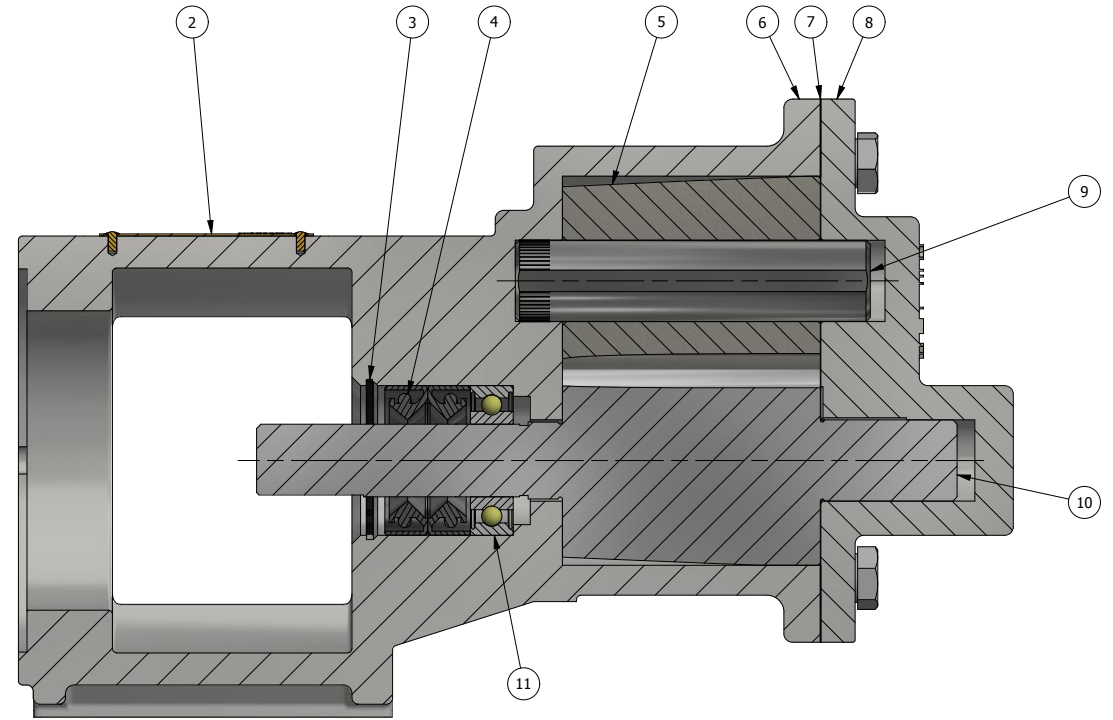
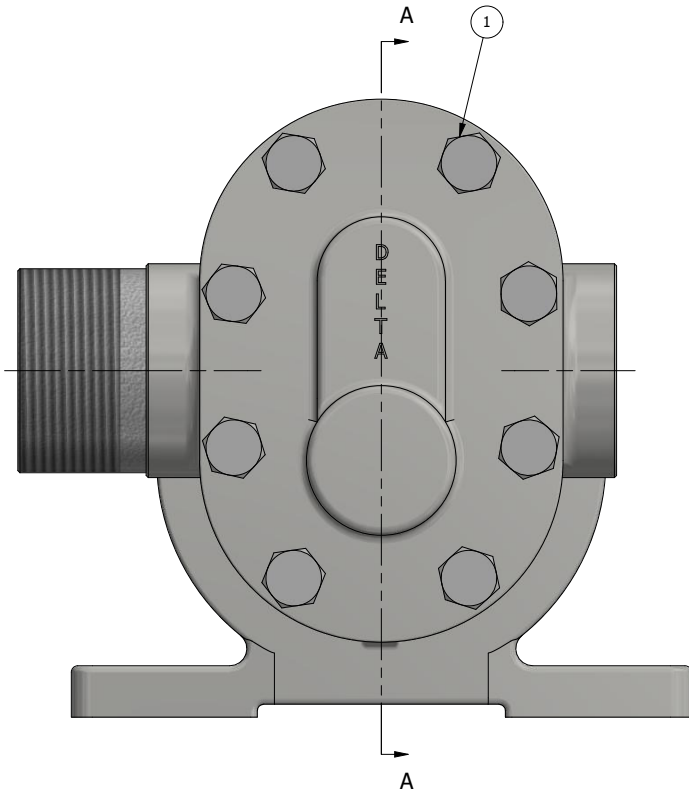
Material: -

Unless otherwise specified: Dimensions are in MM Machining Tolerances are: NS-ISO-2768-1-M NS-ISO-2768-2-K Surface Finish: Ra3.2 Size: A3   Do Not Scale	Designed by	Date	Deltapump AS 5537 Haugesund Norway
	RSK	17/09/2019	
	Checked by	Date	Mass (kg)
		17/09/2019	14.01 kg
	Approved by	Date	Sheet
		17/09/2019	1 of 1

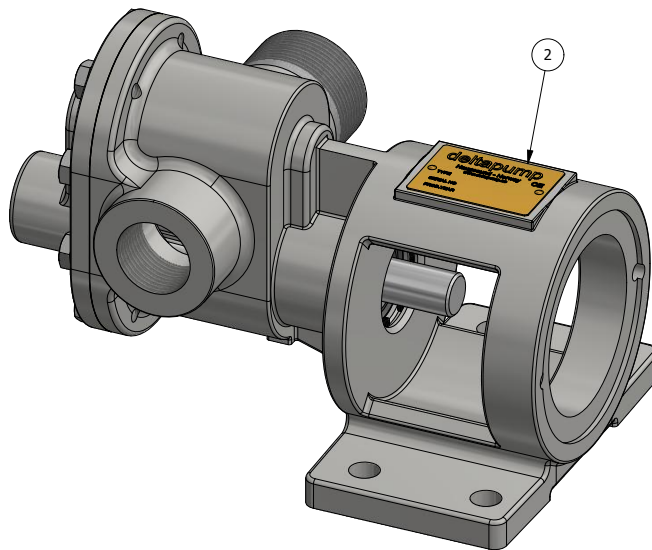
Projection Angle

Description: Delta 595A - Pump & 24V Motor - OUTLINE	Stock Number: 9-595A-24V	Drawing Reference: DP160068	Rev. 0
---	-----------------------------	--------------------------------	--------





Section A-A



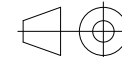
ITEM	QTY	STOCK NUMBER	DESCRIPTION	MATERIAL
1	8	250952	Hex-Head Bolt	8.8
2	1	1000050	Deltapump Name Plate	Brass
3	1	11300	Seeger ring	Steel
4	2	10490	Seal ring	Rubber
5	1	251173	595A/595B - Gear wheel 2	GG 25, Cast iron
6	1	253604	595B - Pump Housing	GG 15, Cast iron
7	1	10840	Gasket	Fiber
8	1	250999	595A/595B - End Cover	SjG 150
9	1	250871	595A/595B - Shaft Short	42CrMo4, Steel
10	1	255389	595A/595B - Gear w/ Main Shaft	42CrMo4, Steel
11	1	10950	Ball bearing	-

Material: -

Unless otherwise specified:  
 Dimensions are in MM  
 Machining Tolerances are:  
 NS-ISO-2768-1-M  
 NS-ISO-2768-2-K  
 Surface Finish: Ra3.2  
 Size: A3 | Do Not Scale

Designed by	Date	Deltapump AS 5537 Haugesund Norway
RSK	17/09/2019	
Checked by	Date	Mass (kg)
	17/09/2019	6.04 kg
Approved by	Date	Sheet
	17/09/2019	1 of 1

Projection Angle

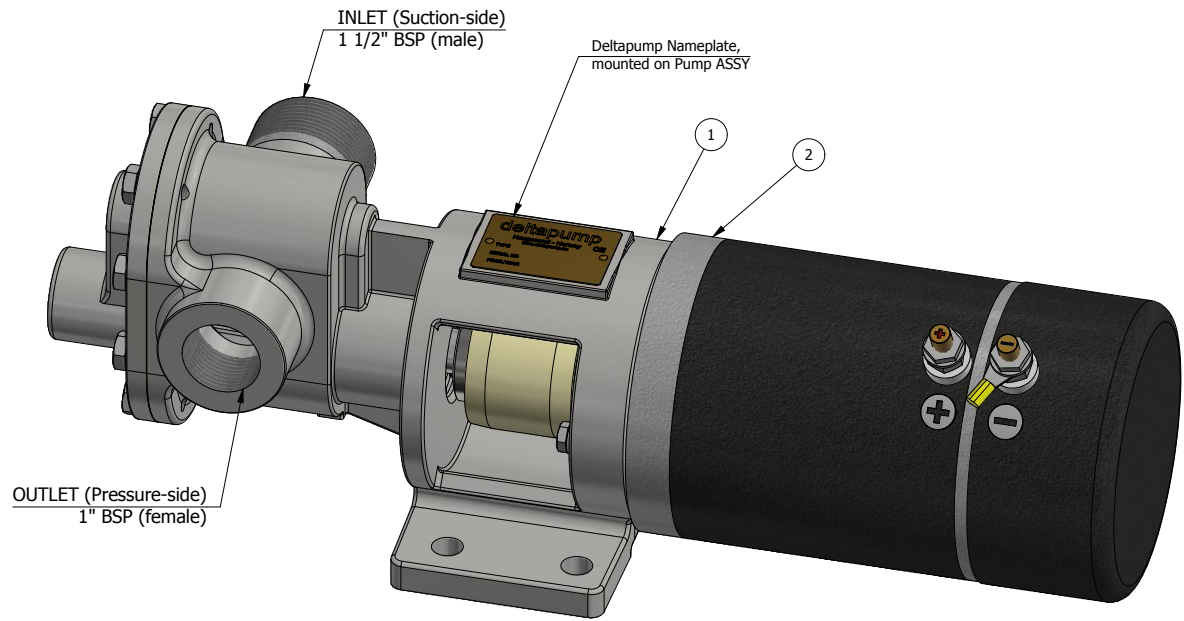
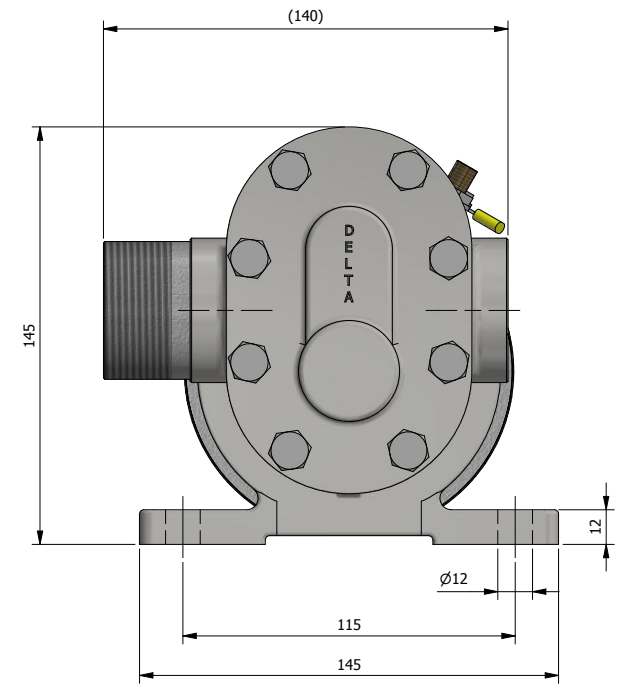
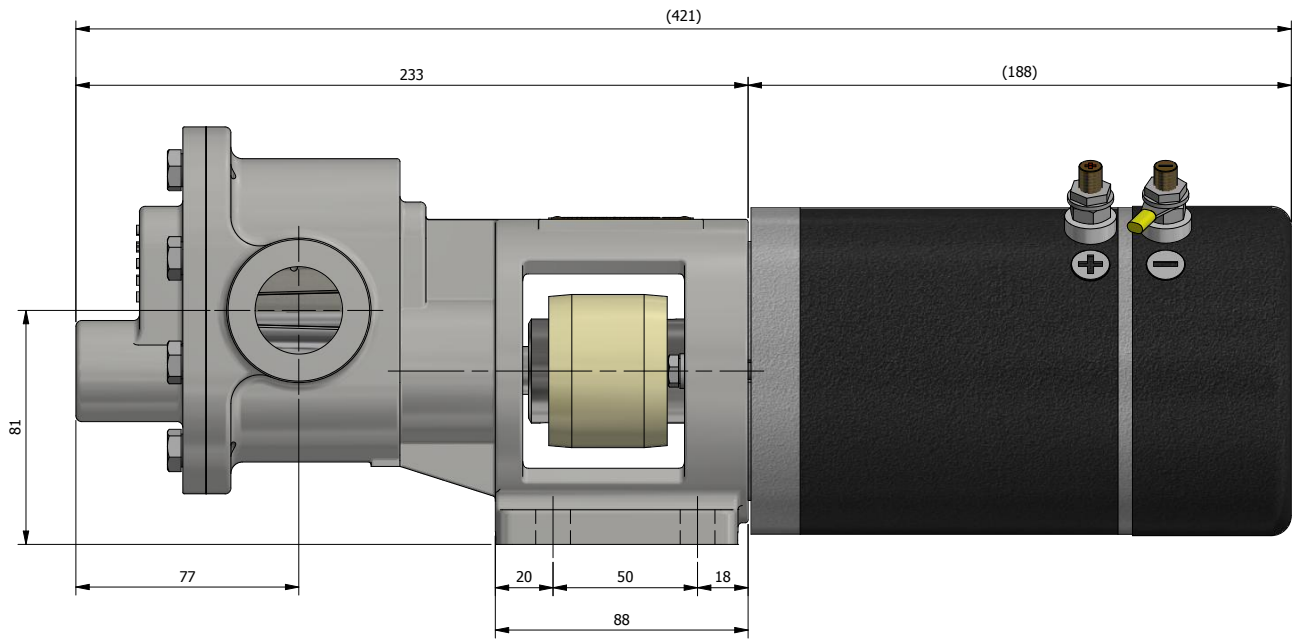


Description:  
 Delta 595B - Pump ASSY

SINCE 1878  
**deltapump**  
[deltapump.no](http://deltapump.no) | orgrn: 992 107 626

This drawing and the information contained in it are proprietary and the sole property of DELTAPUMP A.S. and any use, reproduction or distribution, in whole or part, without the prior written consent is prohibited.

Stock Number: 9-595B  
 Drawing Reference: DP160064  
 Rev. 0



**DELTA 595B 24V**

Flow rate: 150l/min  
 Hose dimension, inlet: 1 1/2" BSP (male)  
 Hose dimension, outlet: 1" BSP (female)  
 Suction height: 3-4 meters  
 Rated power: 0,84kW  
 Rated voltage: 24V DC  
 Rated current: 47A  
 Rated Speed: 2500 rpm  
 Operation mode: MAX 12min  
 Protection class: IP44  
 Rotation: CW  
 Weight: 14kg (w/ motor)

ITEM	QTY	STOCK NUMBER	DESCRIPTION	MATERIAL
1	1	9-595B-24V	Delta 595B - Pump ASSY	-
2	1	250671	DC Motor 0,84 kW 24V 2500 rpm	Alu/Copper

Material: -

Unless otherwise specified: Dimensions are in MM Machining Tolerances are: NS-ISO-2768-1-M NS-ISO-2768-2-K Surface Finish: Ra3.2 Size: A3   Do Not Scale	Designed by	Date	Deltapump AS 5537 Haugesund Norway
	RSK	17/09/2019	
	Checked by	Date	Mass (kg)
		17/09/2019	14.11 kg
Projection Angle	Approved by	Date	Sheet
		17/09/2019	1 of 1

Description: Delta 595B - Pump & 24V Motor - OUTLINE  
 Stock Number: 9-595B-24V  
 Drawing Reference: DP160069  
 Rev. 0

