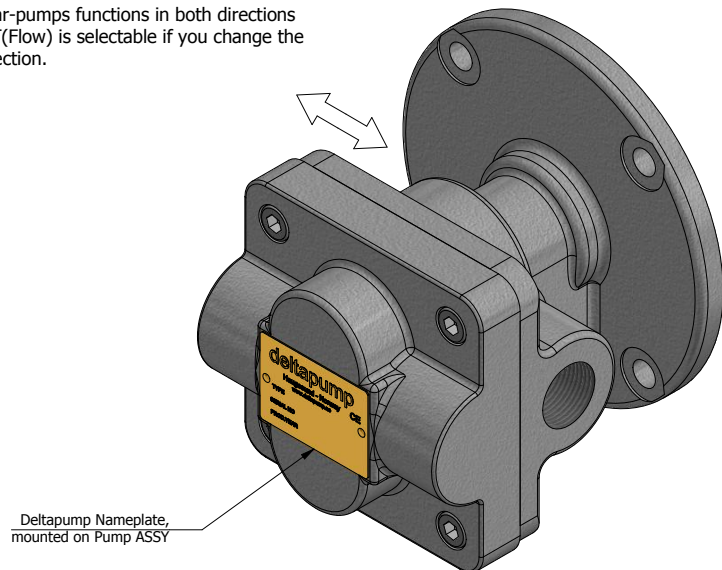
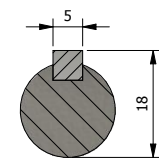


NOTE:
Deltapump gear-pumps functions in both directions
INLET/OUTLET(Flow) is selectable if you change the
motor turn direction.



Deltapump Nameplate,
mounted on Pump ASSY

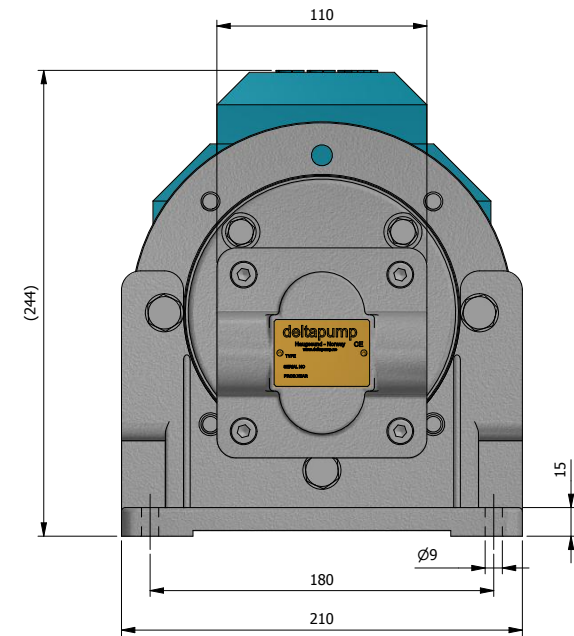
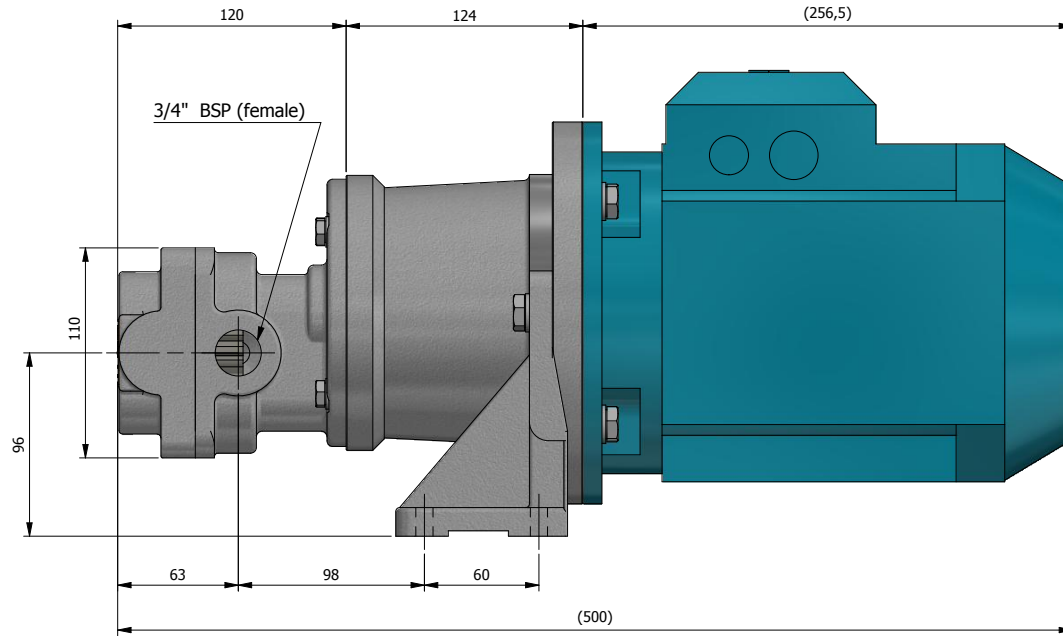
Notes
Keyway dimensions:
Length : 28mm
Width : 5mm



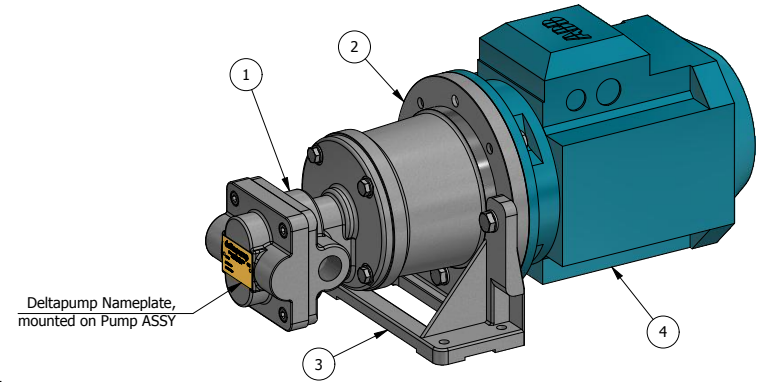
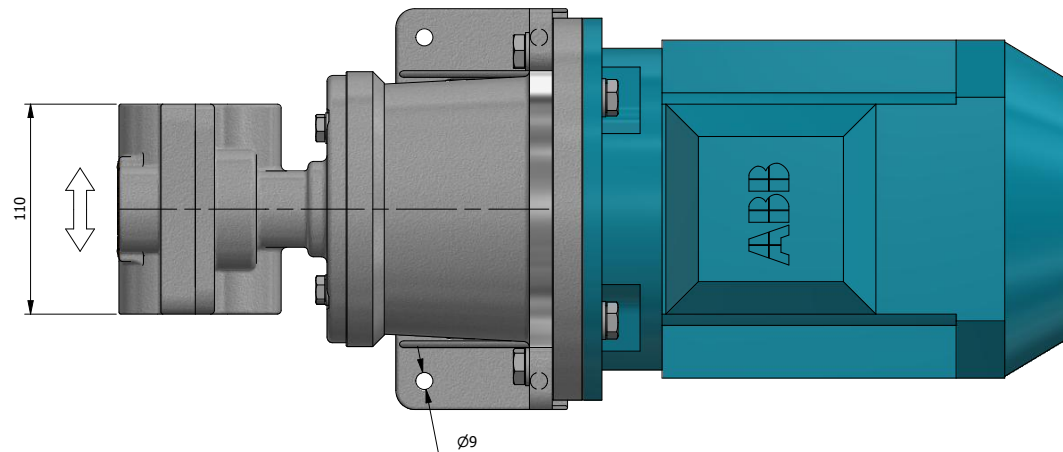
Section B-B

NOTES:
* A Name Plate, is mounted on the Pump

Material: -		Designed by		Date	Deltapump AS	SINCE 1878 deltapump deltapump.no orgnr: 992 107 626
Unless otherwise specified: Dimensions are in MM		RSK	06/06/2019		5537 Haugesund Norway	
Machining Tolerances are: NS-ISO-2768-1-M NS-ISO-2768-2-K Surface Finish: Ra3.2 Size: A3 Do Not Scale		Checked by	Date	Mass (kg)	6.45 kg	This drawing and the information contained in it are proprietary and the sole property of DELTAPUMP A.S. and any use, reproduction or distribution, in whole or part, without the prior written consent is prohibited.
Projection Angle		Approved by	Date	Sheet	1 of 1	
Description: Delta 589 - 3/4" BSP - Pump ASSY - OUTLINE		Stock Number:		Drawing Reference:		Rev. 0
				9-589	DP160030	



NOTE:
Deltapump gear-pumps functions in both directions INLET/OUTLET(Flow) is selectable if you change the motor turn direction.


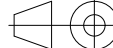


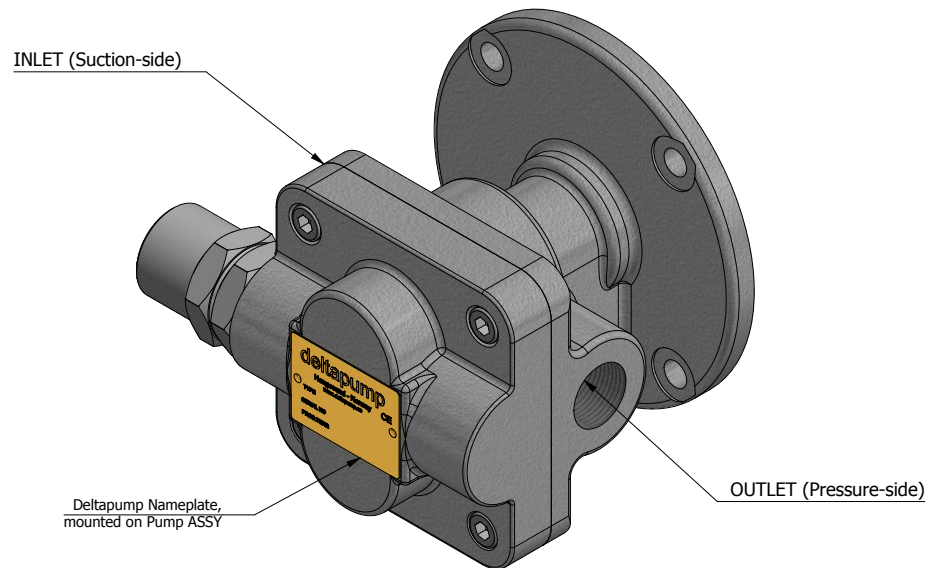
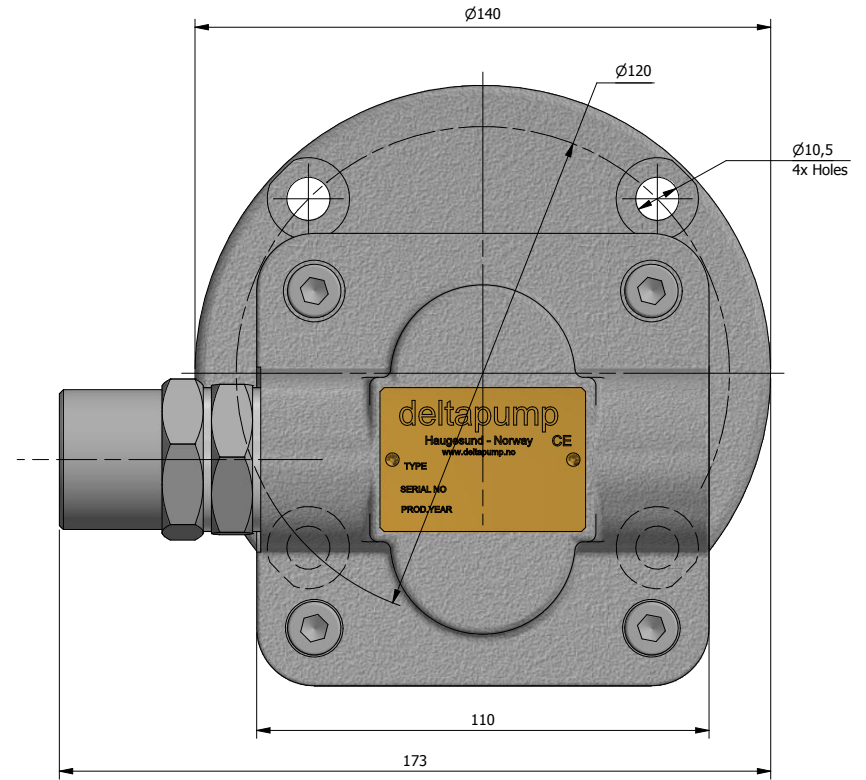
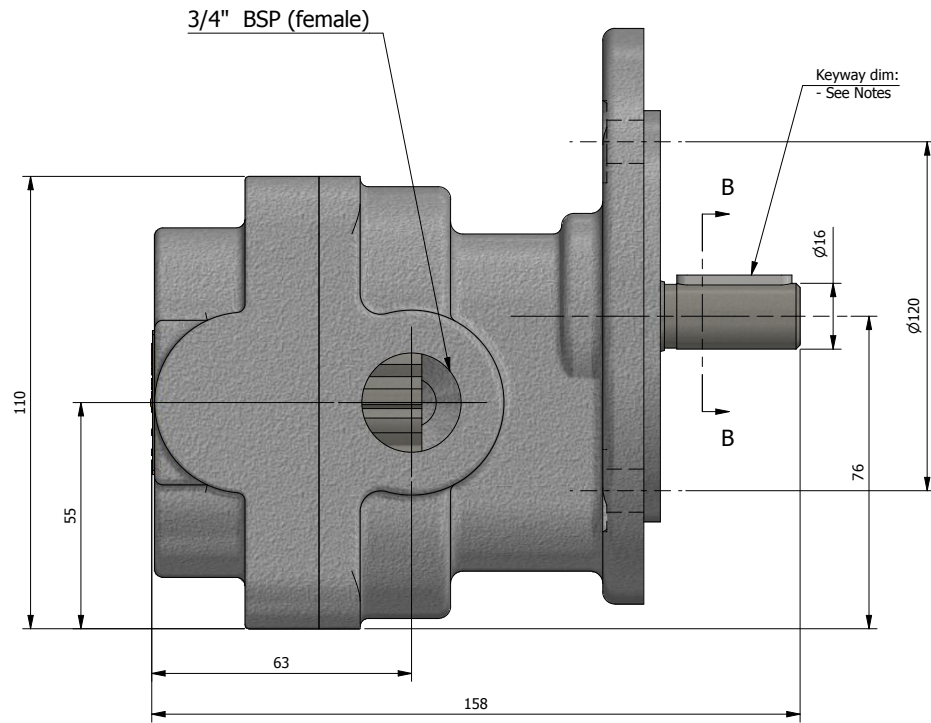
Deltapump Nameplate, mounted on Pump ASSY

NOTES:
* A Name Plate, is mounted on the Pump

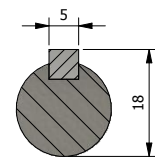
ITEM	QTY	STOCK NUMBER	DESCRIPTION	MATERIAL
1	1	9-589	Delta 589 - 3/4" BSP - Pump ASSY	-
2	1	255232	Bellhousing	Aluminum
3	1	255233	Foot flange	Aluminum
4	1	N/A	Electric Motor - Size 90 -B5	Alu./Copper

Material: -

Unless otherwise specified: Dimensions are in MM Machining Tolerances are: NS-ISO-2768-1-M NS-ISO-2768-2-K Surface Finish: Ra3.2 Size: A3 Do Not Scale	Designed by RSK Date 06/06/2019	Deltapump AS 5537 Haugesund Norway	 <p>SINCE 1878</p> <p>deltapump.no orgnr: 992 107 626</p>
	Checked by Date	Mass (kg) 27.07 kg	
Approved by Date	Sheet 1 of 1	This drawing and the information contained in it are proprietary and the sole property of DELTAPUMP A.S. and any use, reproduction or distribution, in whole or part, without the prior written consent is prohibited.	
Projection Angle 	Description: Delta 589 - 3/4"BSP - Pump & El. Mot. - OUTLINE 90	Stock Number: N/A	Drawing Reference: DP160031 Rev. 0




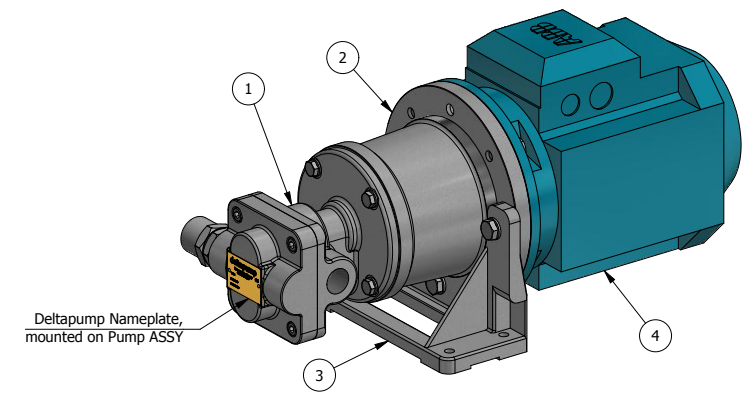
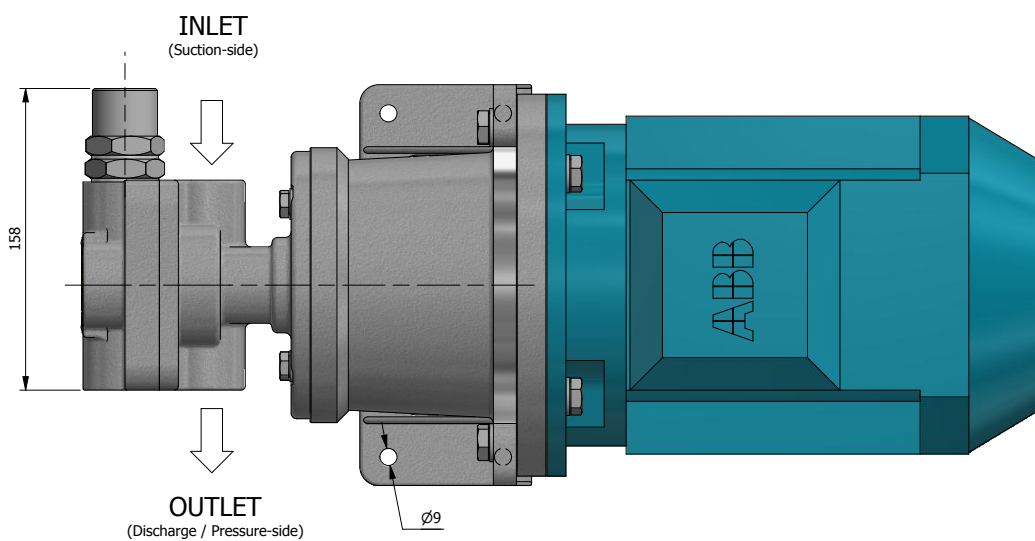
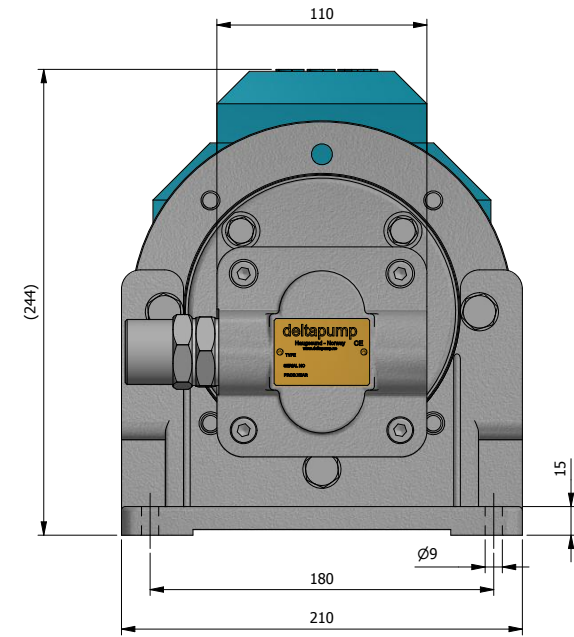
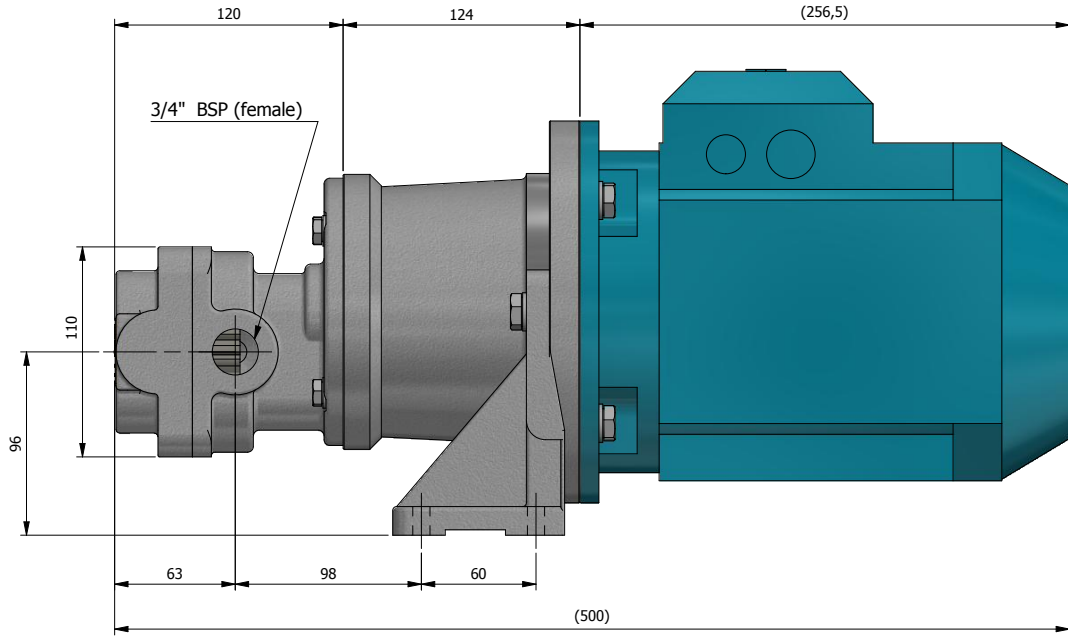
Notes
 Keyway dimensions:
 Length : 28mm
 Width : 5mm



Section B-B

NOTES:
 * A Name Plate, is mounted on the Pump


Material: -		Deltapump AS 5537 Haugesund Norway		 deltapump.no orgnr: 992 107 626
Unless otherwise specified: Dimensions are in MM	Designed by RSK	Date 06/06/2019	Checked by	
Machining Tolerances are: NS-ISO-2768-1-M NS-ISO-2768-2-K Surface Finish: Ra3.2 Size: A3 Do Not Scale	Mass (kg)	6.57 kg	Approved by	SHEET 1 of 1
Projection Angle	Description: Delta 589X - 3/4" BSP - Pump ASSY - OUTLINE		Stock Number: 9-589X	Drawing Reference: DP160026 Rev. 0



NOTES:
 * A Name Plate, is mounted on the Pump

ITEM	QTY	STOCK NUMBER	DESCRIPTION	MATERIAL
1	1	9-589X	Delta 589X - 3/4" BSP - Pump ASSY	-
2	1	255232	Bellhousing	Aluminum
3	1	255233	Foot flange	Aluminum
4	1	N/A	Electric Motor - Size 90 -B5	Alu./Copper

Material: -

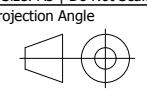
Unless otherwise specified: Dimensions are in MM Machining Tolerances are: NS-ISO-2768-1-M NS-ISO-2768-2-K Surface Finish: Ra3.2 Size: A3 Do Not Scale	Designed by	Date	Deltapump AS 5537 Haugesund Norway	 deltapump.no orgnr: 992 107 626
	Checked by	Date		
Approved by	Date	Sheet	1 of 1	
Projection Angle				

Delta 589X - 3/4"BSP - Pump & Motor - OUTLINE 90 N/A
 Stock Number: N/A
 Drawing Reference: DP160027 Rev. 0

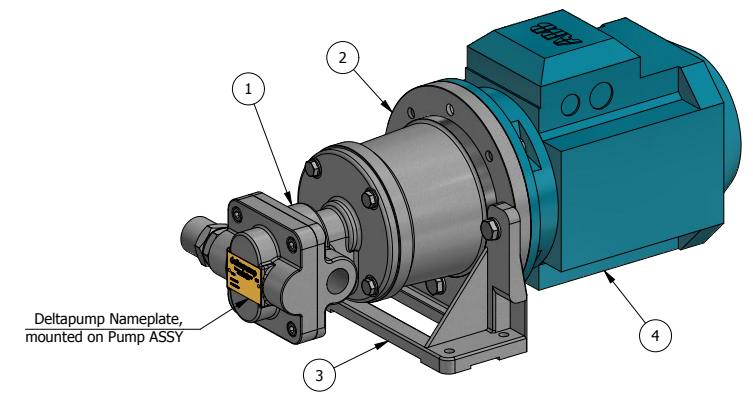
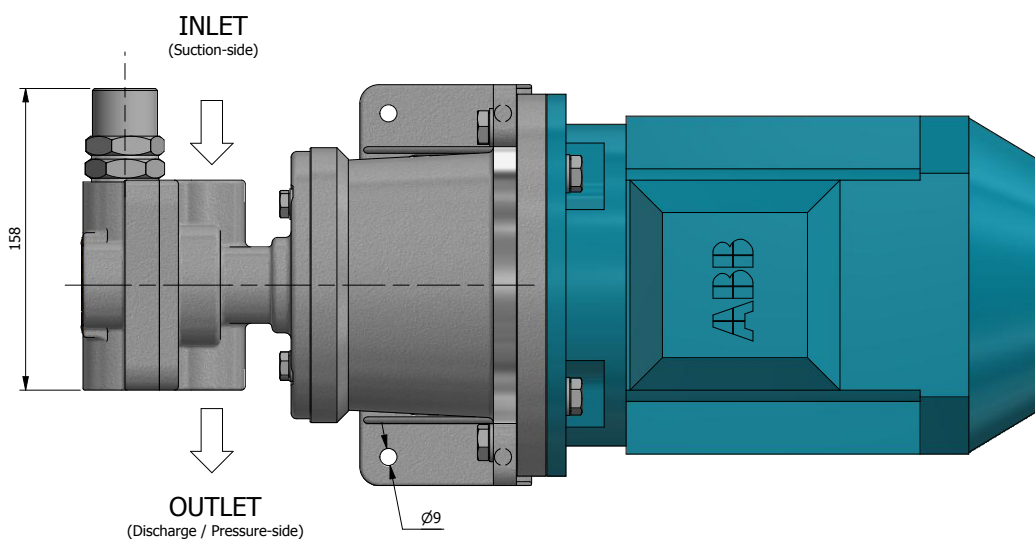
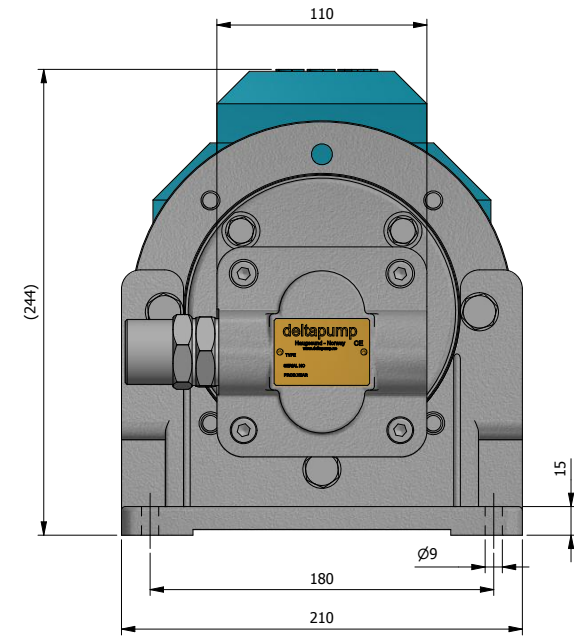
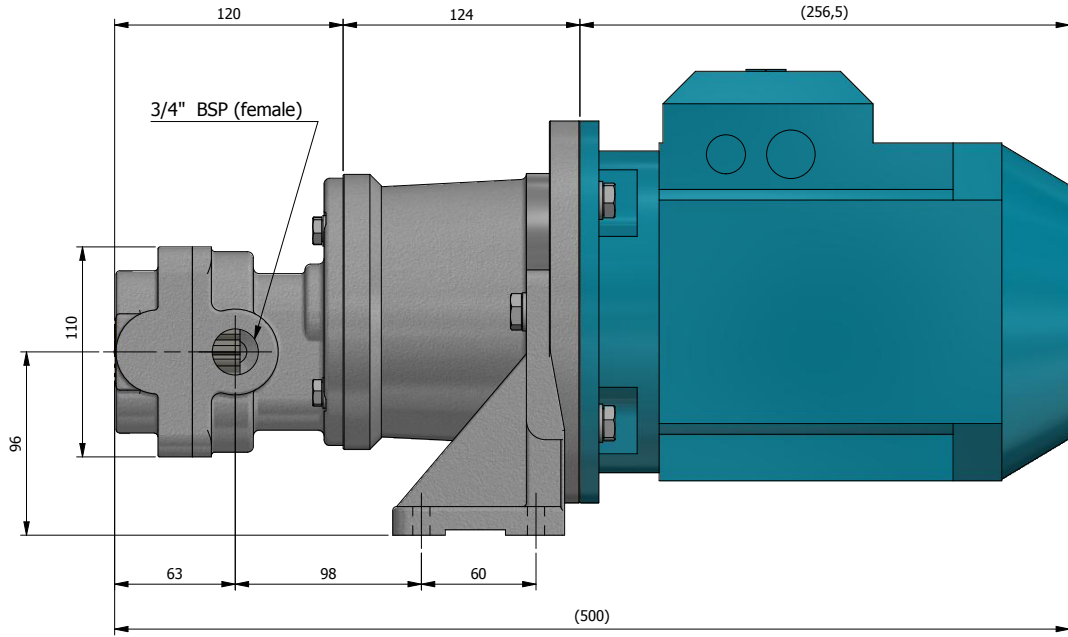


deltapump.no | orgnr: 992 107 626

This drawing and the information contained in it are proprietary and the sole property of DELTAPUMP A.S. and any use, reproduction or distribution, in whole or part, without the prior written consent is prohibited.



Description: Delta 589X - 3/4"BSP - Pump & Motor - OUTLINE 90 N/A
 Stock Number: N/A
 Drawing Reference: DP160027 Rev. 0



NOTES:
 * A Name Plate, is mounted on the Pump

ITEM	QTY	STOCK NUMBER	DESCRIPTION	MATERIAL
1	1	9-589X	Delta 589X - 3/4" BSP - Pump ASSY	-
2	1	255232	Bellhousing	Aluminum
3	1	255233	Foot flange	Aluminum
4	1	N/A	Electric Motor - Size 90 -B5	Alu./Copper

Material: -

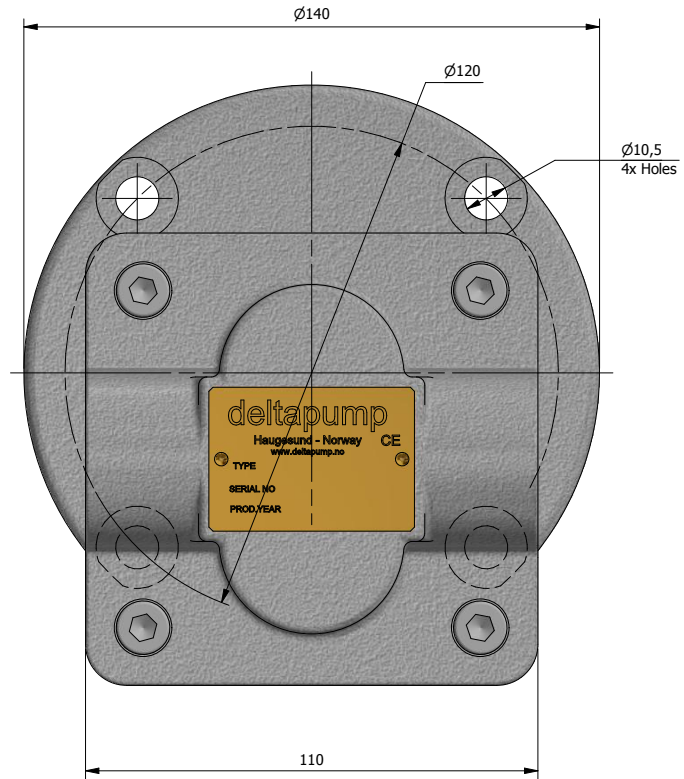
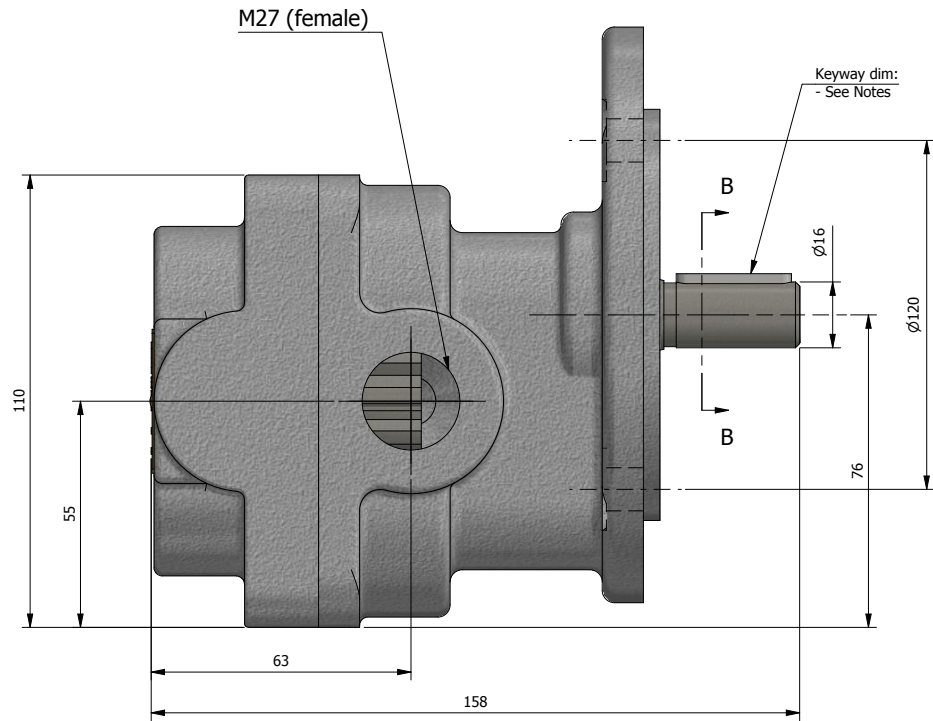
Unless otherwise specified: Dimensions are in MM Machining Tolerances are: NS-ISO-2768-1-M NS-ISO-2768-2-K Surface Finish: Ra3.2 Size: A3 Do Not Scale	Designed by	Date	Deltapump AS 5537 Haugesund Norway
	RSK	06/06/2019	
	Checked by	Date	Mass (kg)
			27.19 kg
	Approved by	Date	Sheet
			1 of 1

Projection Angle

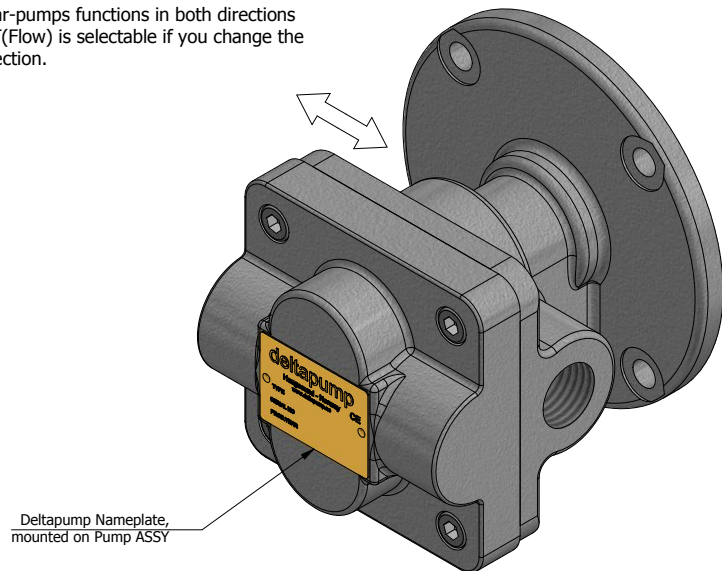
deltapump SINCE 1878
deltapump.no | orgrn: 992 107 626

This drawing and the information contained in it are proprietary and the sole property of DELTAPUMP A.S. and any use, reproduction or distribution, in whole or part, without the prior written consent is prohibited.

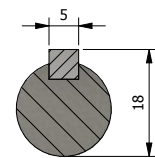
Description: Delta 589X - 3/4"BSP - Pump & Motor - OUTLINE 90 N/A
 Stock Number: N/A
 Drawing Reference: DP160027 Rev. 0



NOTE:
Deltapump gear-pumps functions in both directions
INLET/OUTLET(Flow) is selectable if you change the
motor turn direction.





Notes
Keyway dimensions:
Length : 28mm
Width : 5mm

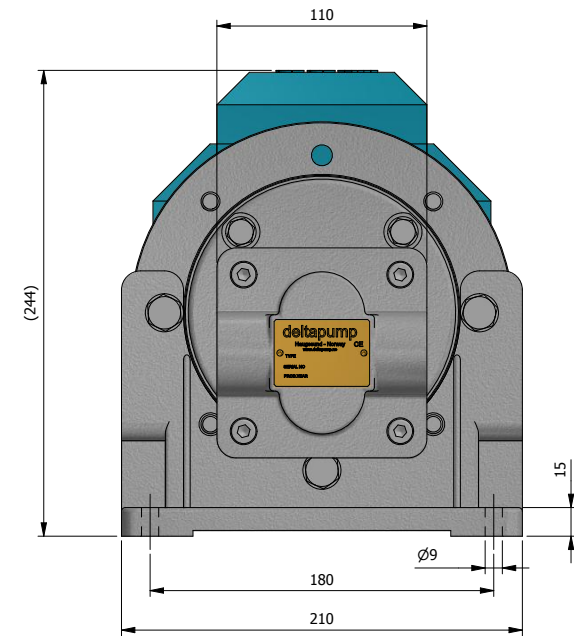
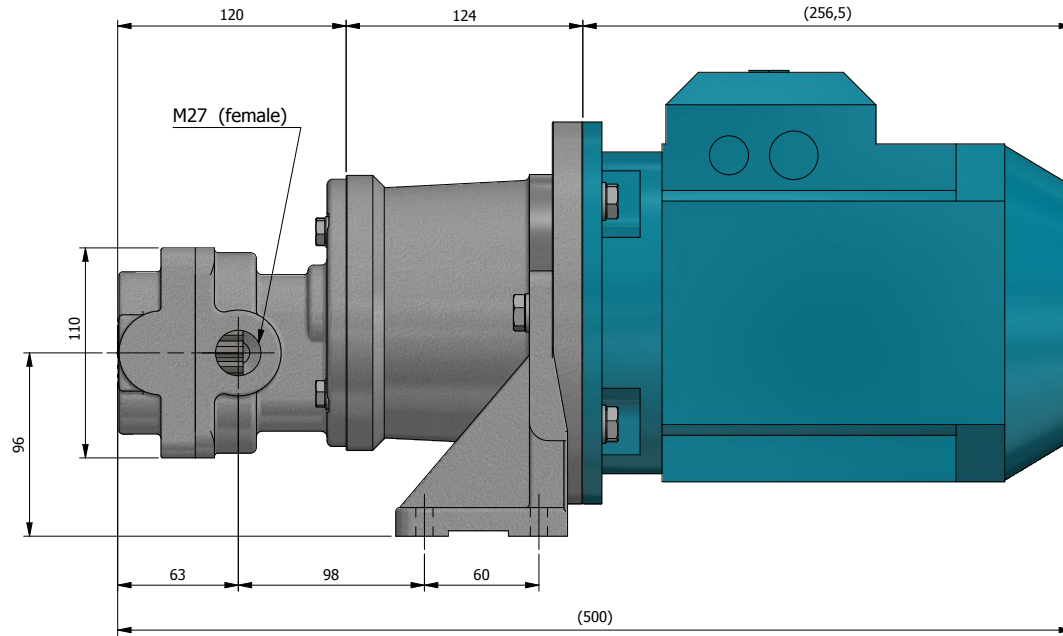


Section B-B

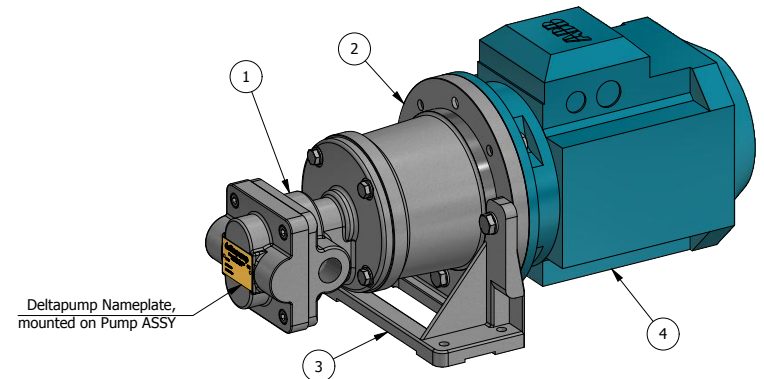
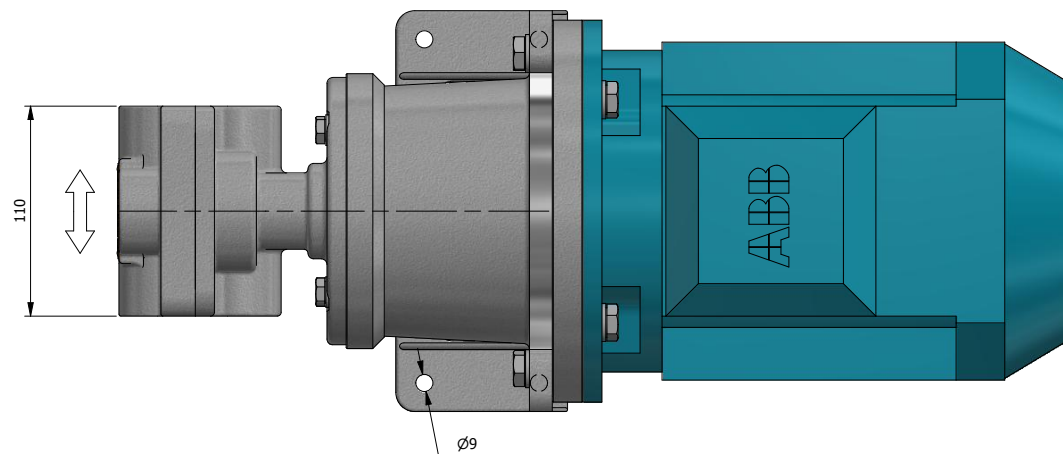
NOTES:

* A Name Plate, is mounted on the Pump

Material: -		Designed by		Date	Deltapump AS	SINCE 1878
Unless otherwise specified: Dimensions are in MM		RSK	06/06/2019		5537 Haugesund Norway	
Machining Tolerances are: NS-ISO-2768-1-M NS-ISO-2768-2-K Surface Finish: Ra3.2 Size: A3 Do Not Scale		Checked by	Date	Mass (kg)	 deltapump.no orgnr: 992 107 626	
Projection Angle		Approved by	Date	Sheet		
		Description:		1 of 1	<small>This drawing and the information contained in it are proprietary and the sole property of DELTAPUMP A.S. and any use, reproduction or distribution, in whole or part, without the prior written consent is prohibited.</small>	
Delta 589 - M27 - Pump ASSY - OUTLINE			Stock Number:	Drawing Reference:		
			9-589 M27	DP160034 Rev. 0		



NOTE:
Deltapump gear-pumps functions in both directions INLET/OUTLET(Flow) is selectable if you change the motor turn direction.




NOTES:

* A Name Plate, is mounted on the Pump

ITEM	QTY	STOCK NUMBER	DESCRIPTION	MATERIAL
1	1	9-589 M27	Delta 589 - M27 - Pump ASSY	-
2	1	255232	Bellhousing	Aluminum
3	1	255233	Foot flange	Aluminum
4	1	N/A	Electric Motor - Size 90 -B5	Alu./Copper

Material: -

Unless otherwise specified: Dimensions are in MM Machining Tolerances are: NS-ISO-2768-1-M NS-ISO-2768-2-K Surface Finish: Ra3.2 Size: A3 Do Not Scale	Designed by	Date	Deltapump AS 5537 Haugesund Norway	 <p>SINCE 1878</p> <p>deltapump.no orgnr: 992 107 626</p>
	Checked by	Date		
Approved by	Date	Sheet	27.08 kg	
Projection Angle		1 of 1		
Description: Delta 589 - M27 - Pump & El. Motor - OUTLINE 90			Stock Number: N/A	Drawing Reference: DP160035 Rev. 0

Pumpekaraktistikk DELTA 589(X/M27)

