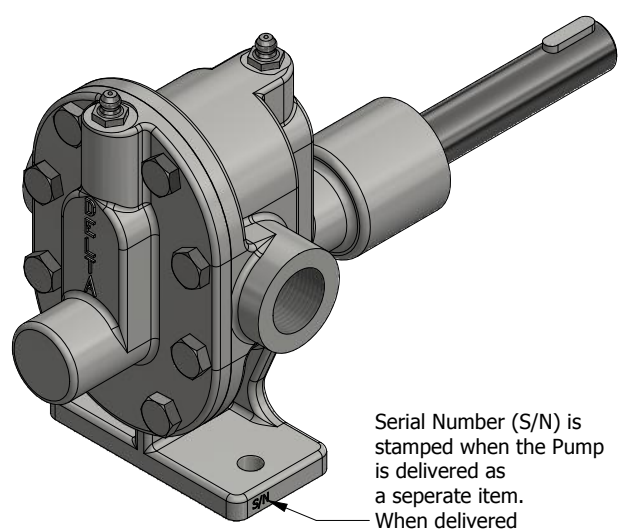
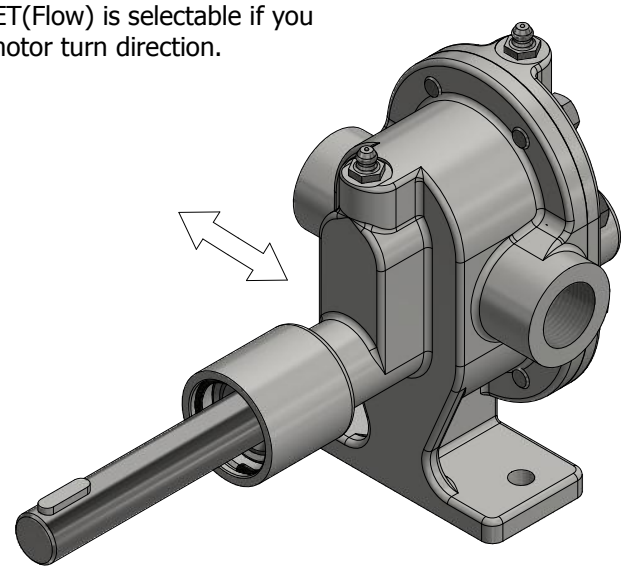
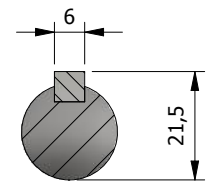


NOTE:
Deltapump gear-pumps functions in both directions
INLET/OUTLET(Flow) is selectable if you
change the motor turn direction.



Serial Number (S/N) is stamped when the Pump is delivered as a separate item. When delivered with Electric motor a Name Plate tag is mounted on the Base Plate.

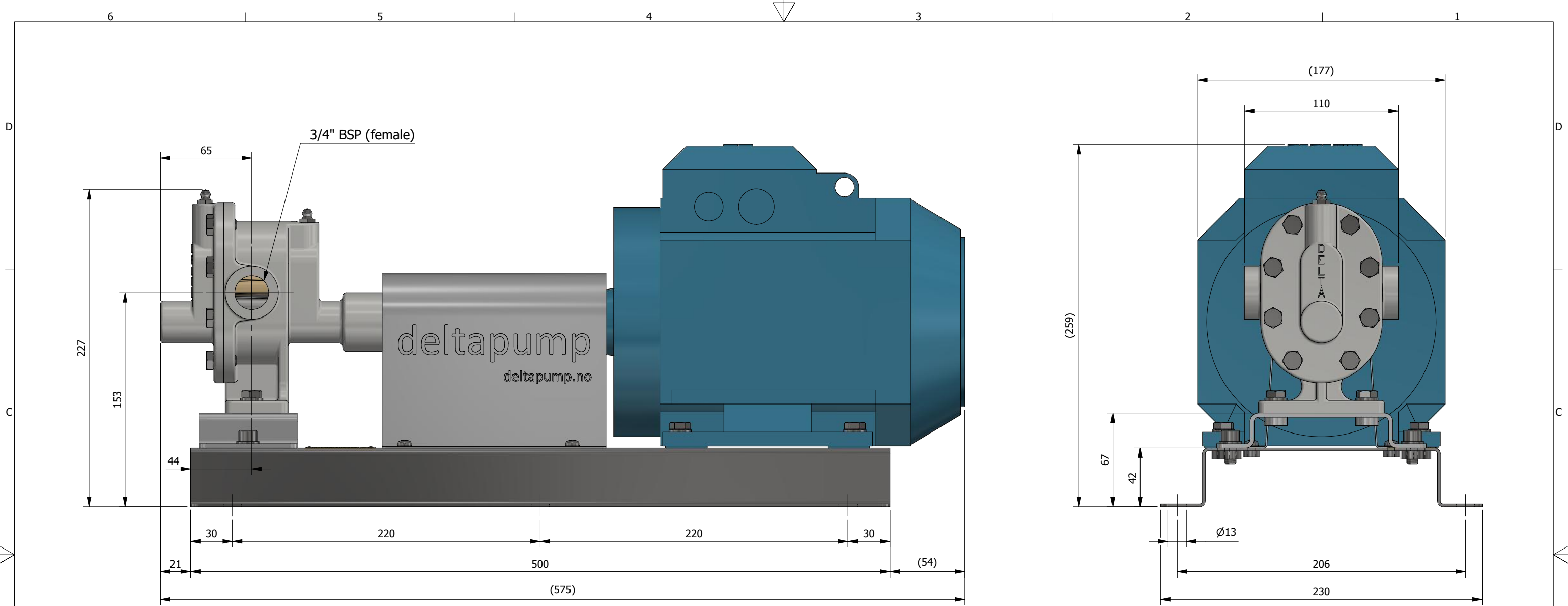
Notes
Keyway dimensions:
Length : 22mm
Width : 6mm



Section A-A

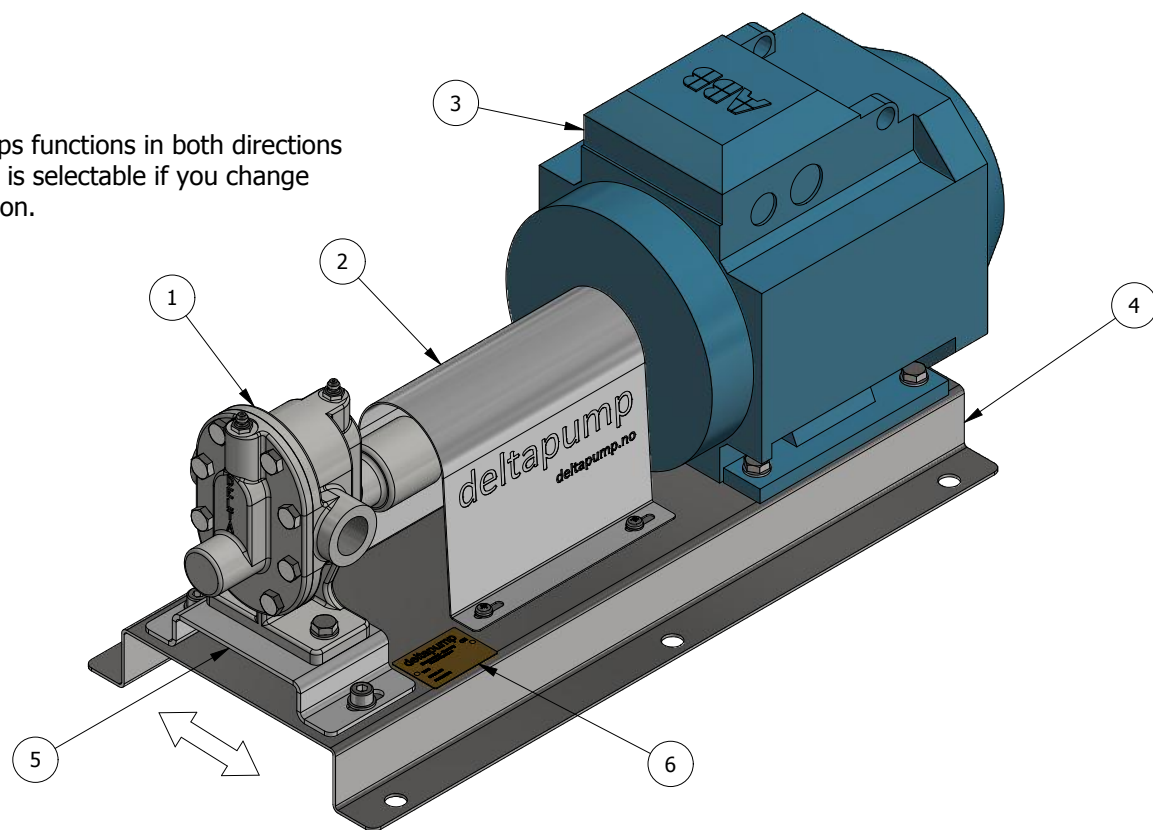
Material: -		Designed by		Date	Deltapump AS 5537 Haugesund Norway		SINCE 1878	
Unless otherwise specified: Dimensions are in MM		RSK	13/12/2019	Mass (kg)	deltapump deltapump.no orgnr: 992 107 626			
Machining Tolerances are: NS-ISO-2768-1-M NS-ISO-2768-2-K Surface Finish: Ra3.2 Size: A3 Do Not Scale		Checked by	13/12/2019	4.56 kg				
Projection Angle		Approved by	13/12/2019	Sheet	This drawing and the information contained in it are proprietary and the sole property of DELTAPUMP A.S. and any use, reproduction or distribution, in whole or part, without the prior written consent is prohibited.			
				1 of 1				
		Description: Delta 200-034 - Pump ASSY - OUTLINE			Stock Number: 20345	Drawing Reference: DP160326 Rev. 0		

DELTA PUMP - Reserve "The Right" to change ALL OUTLINE DIMENSIONS without further notice!



NOTE:

Deltapump gear-pumps functions in both directions
INLET/OUTLET(Flow) is selectable if you change
the motor turn direction.



NOTES:

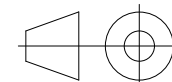
* A Name Plate tag (ITEM 6) is mounted on the Base Plate, when the Pump is delivered with El. Motor

ITEM	STOCK NUMBER	DESCRIPTION	MATERIAL
1	2034S	Delta 200-034 - Pump ASSY	-
2	250721	200-034/100 - Protection Cover - 90 Motor	AISI 316, Stainless Steel
3	N/A	Electric Motor - Size 90 -B3	Alu./copper
4	250715	200-034/100 - Base Plate - El. Motor 90	AISI 316, Stainless Steel
5	255455	Spacer Plate H25mm- Electric Motor - Size 90	AISI 316, Stainless Steel
6	1000050	Deltapump Name Plate	Brass

Material: -

Unless otherwise specified:
Dimensions are in MM
Machining Tolerances are:
NS-ISO-2768-1-M
NS-ISO-2768-2-K
Surface Finish: Ra3.2
Size: A3 | Do Not Scale

Designed by	Date	Deltapump AS 5537 Haugesund Norway
RSK	13/12/2019	
Checked by	Date	Mass (kg)
	13/12/2019	26.24 kg
Approved by	Date	Sheet
	13/12/2019	1 of 1



Description:	Stock Number:	Drawing Reference:
Delta 200-034 - Pump & Motor - OUTLINE 90 Motor	N/A	DP160345

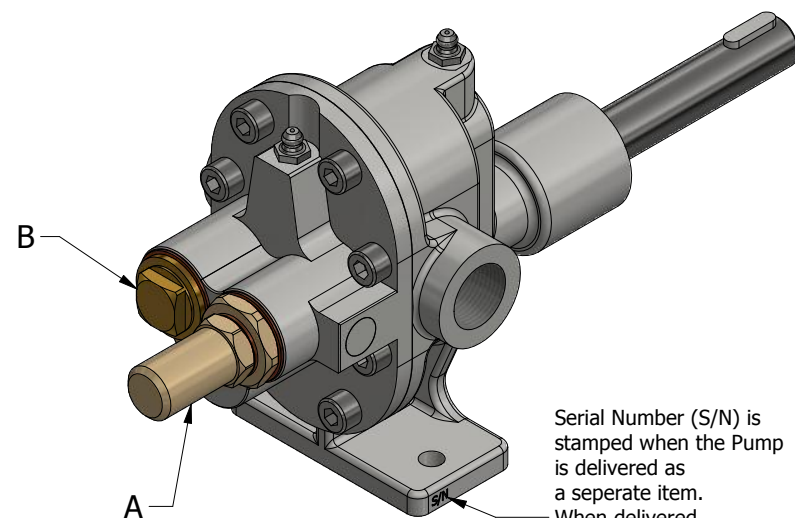
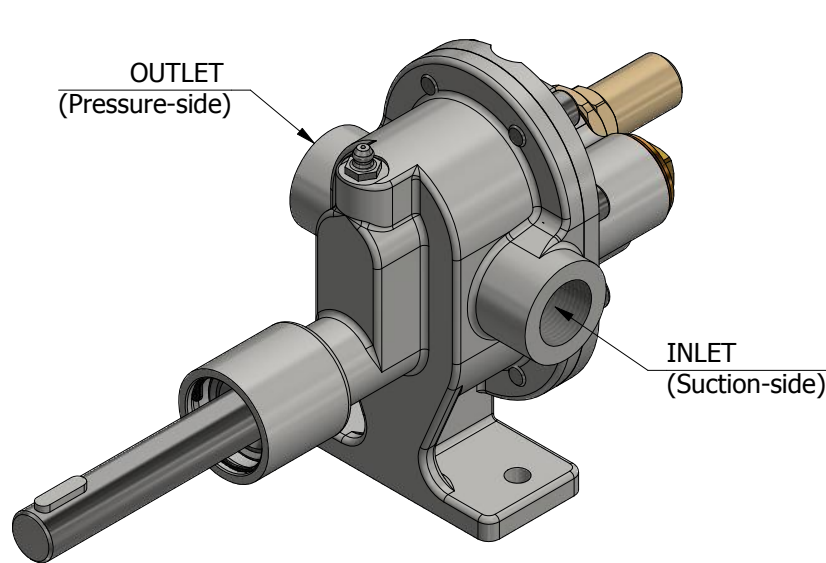
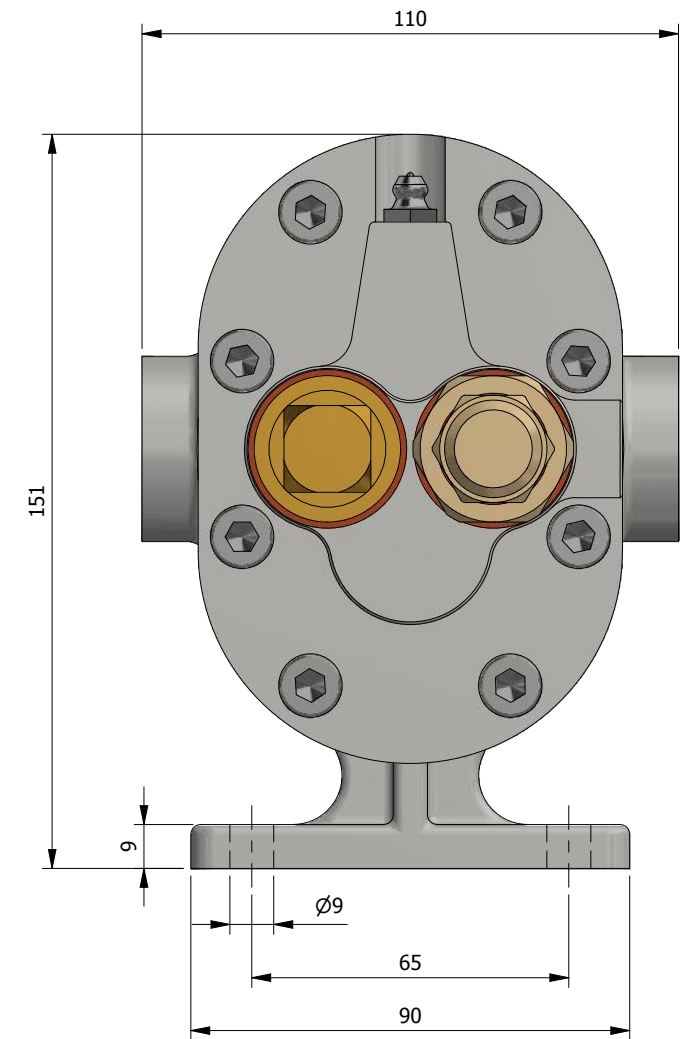
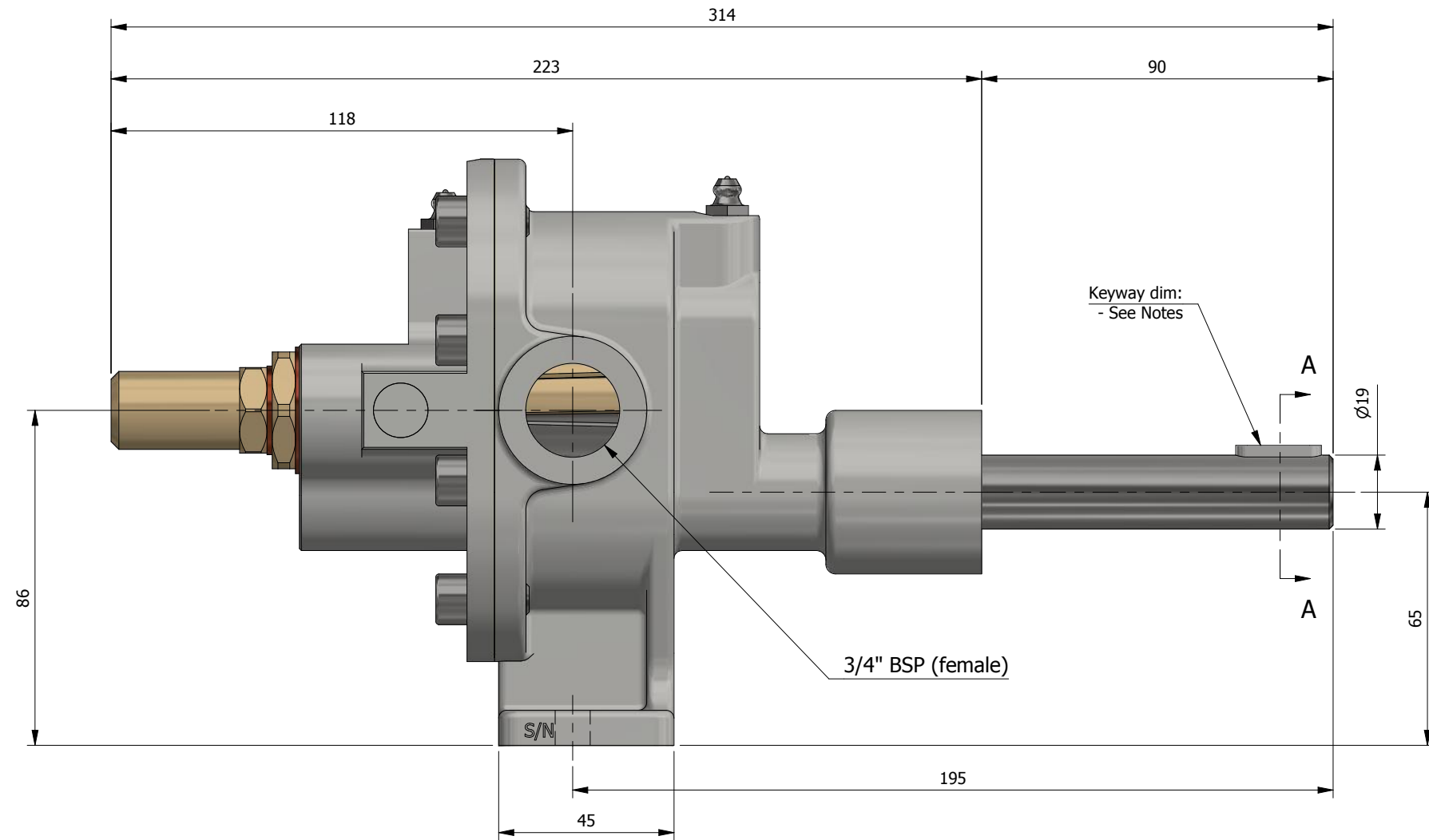


This drawing and the information contained in it are proprietary and the sole property of DELTAPUMP A.S. and any use, reproduction or distribution, in whole or part, without the prior written consent is prohibited.

Rev. 0

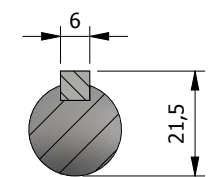
DELTA PUMP - Reserve "The Right" to change ALL OUTLINE DIMENSIONS without further notice!

NOTE:
 This Pump, have an option to change Flow-direction to ease the install process. If a customer would like to change the direction of flow:
 * First exchange part "A" (valve-assembly) for "B" (plug insert)
 * You also need to reverse the rotation of the electric motor.
 The valve (A) SHOULD ALWAYS be placed on the pumps pressure-side/OUTLET to maintain the Safety-Valve functionality!



Serial Number (S/N) is stamped when the Pump is delivered as a separate item. When delivered with Electric motor a Name Plate tag is mounted on the Base Plate.

Notes
 Keyway dimensions:
 Length : 22mm
 Width : 6mm

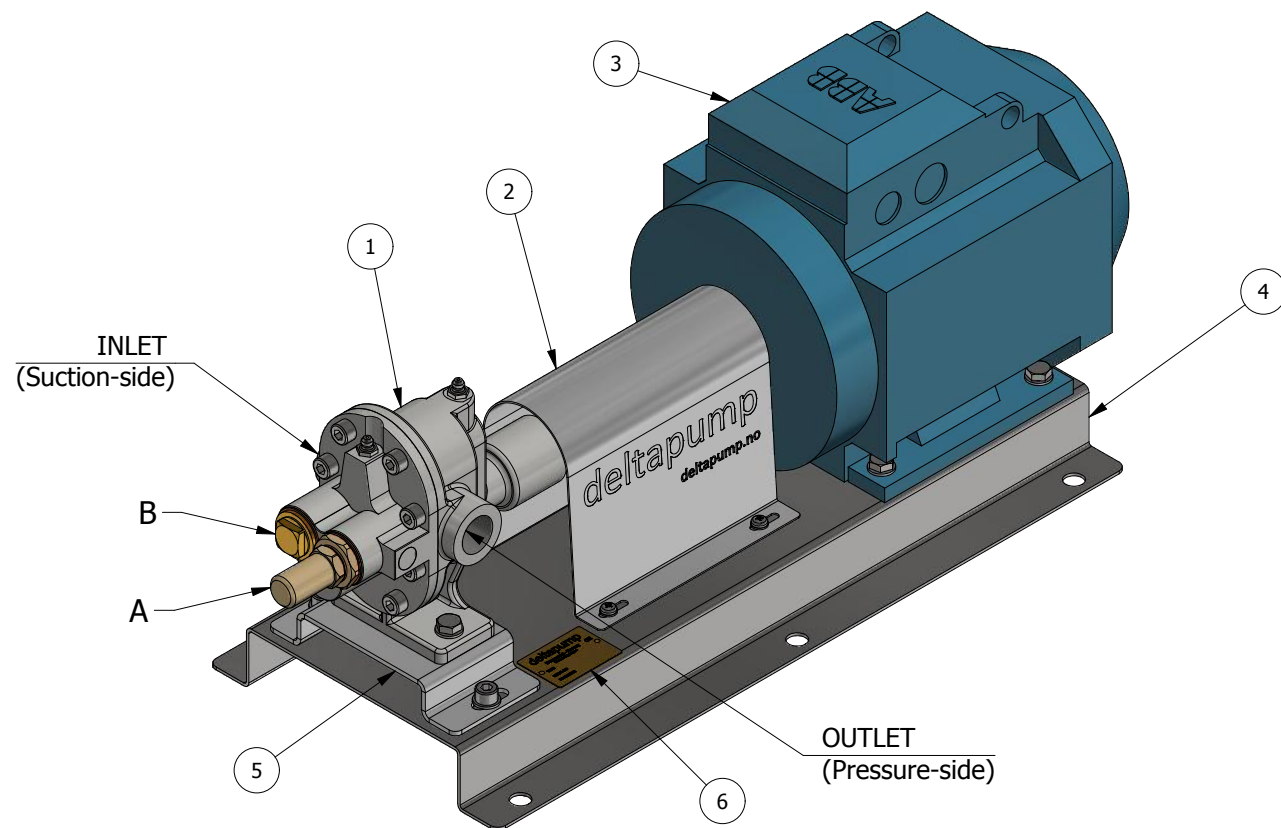
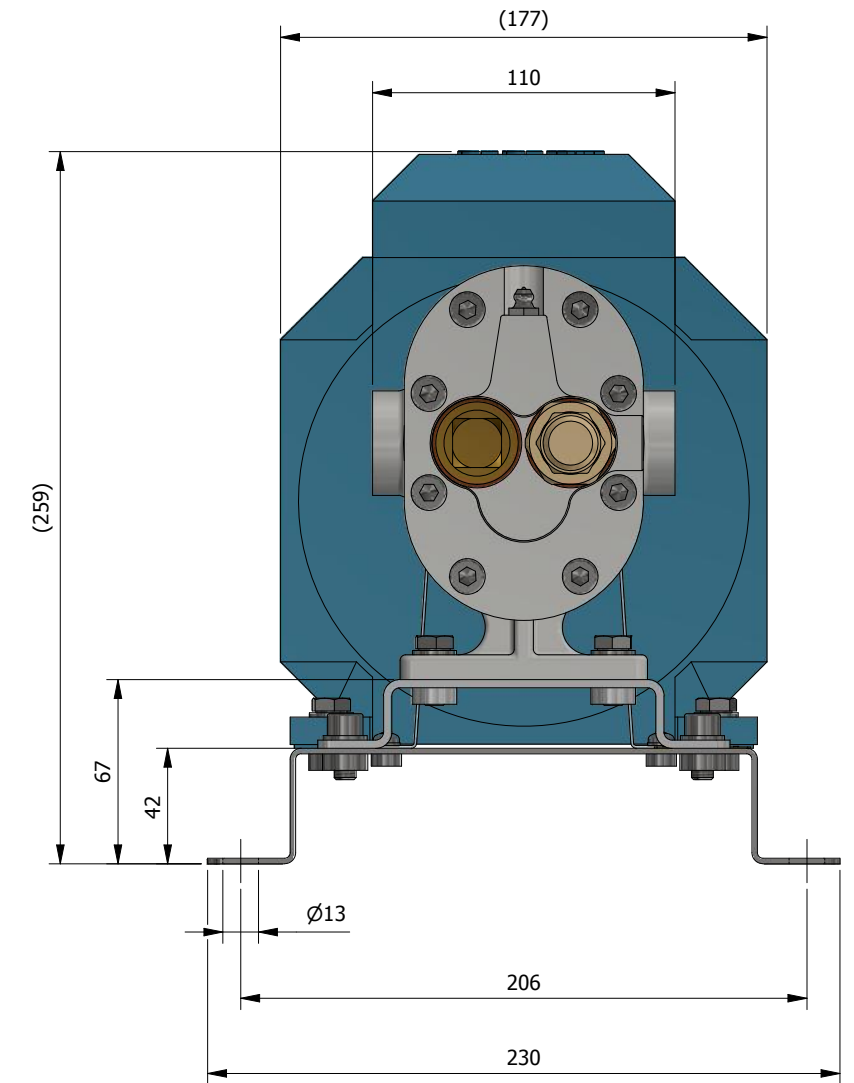
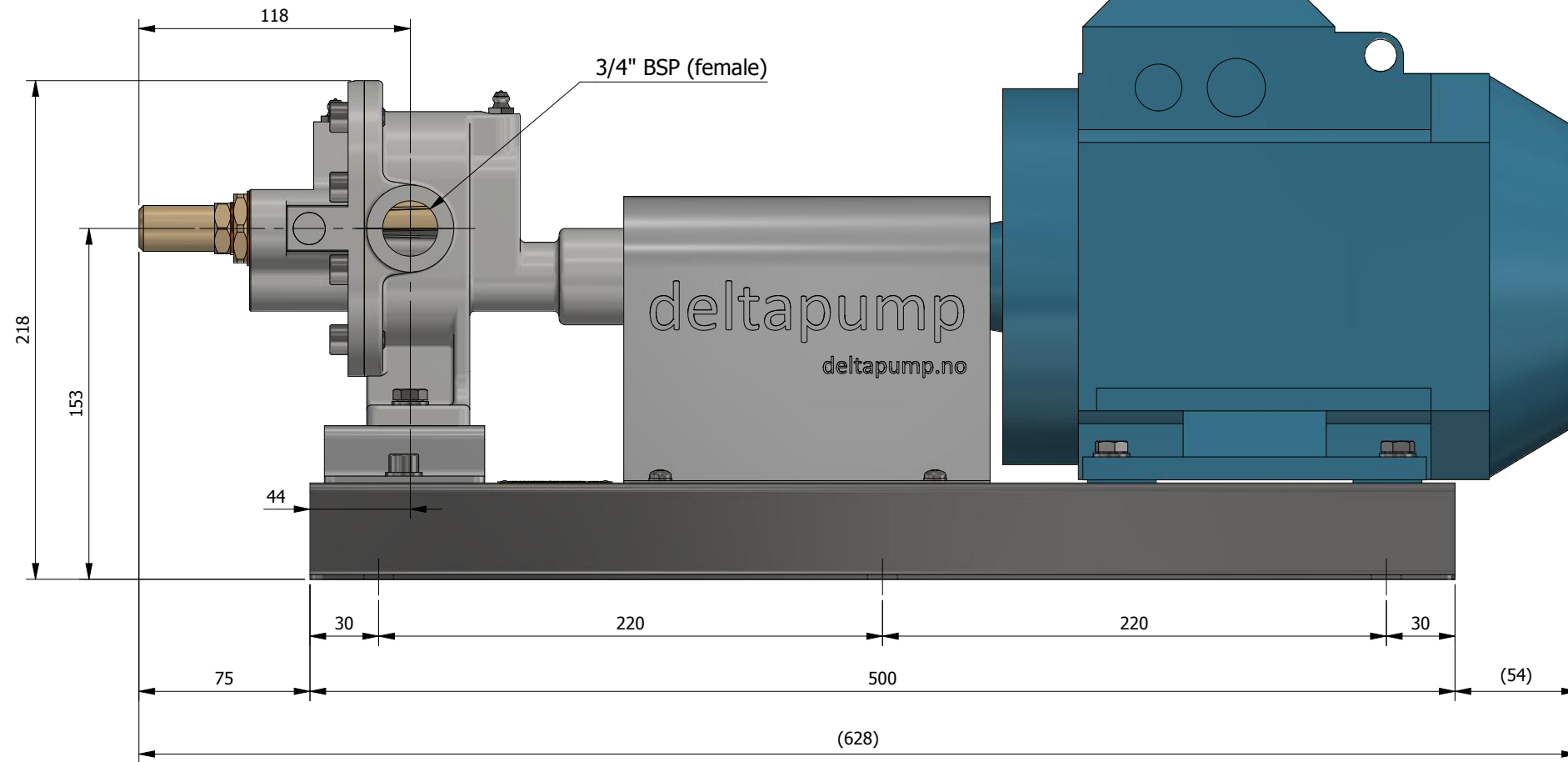


Section A-A

Material: -		Designed by		Date	Deltapump AS 5537 Haugesund Norway		SINCE 1878	
Unless otherwise specified: Dimensions are in MM Machining Tolerances are: NS-ISO-2768-1-M NS-ISO-2768-2-K Surface Finish: Ra3.2 Size: A3 Do Not Scale		RSK	13/12/2019	Checked by	13/12/2019	Mass (kg)	5.08 kg	
Projection Angle		Approved by	13/12/2019	Date	13/12/2019	Sheet	1 of 1	
Description: Delta 200-034X - Pump ASSY - OUTLINE		Stock Number: 2034SX		Drawing Reference: DP160327		Rev. 0		

DELTA PUMP - Reserve "The Right" to change ALL OUTLINE DIMENSIONS without further notice!

NOTE:
 This Pump, have an option to change Flow-direction to ease the install process. If a customer would like to change the direction of flow:
 * First exchange part "A" (valve-assembly) for "B" (plug insert)
 * You also need to reverse the rotation of the electric motor. The valve (A) SHOULD ALWAYS be placed on the pumps pressure-side/OUTLET to maintain the Safety-Valve functionality!



NOTES:

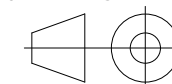
* A Name Plate tag (ITEM 6) is mounted on the Base Plate, when the Pump is delivered with EI. Motor

ITEM	STOCK NUMBER	DESCRIPTION	MATERIAL
1	2034SX	Delta 200-034X - Pump ASSY	-
2	250721	200-034/100 - Protection Cover - 90 Motor	AISI 316, Stainless Steel
3	N/A	Electric Motor - Size 90 - B3	Alu./copper
4	250715	200-034/100 - Base Plate - EI. Motor 90	AISI 316, Stainless Steel
5	255455	Spacer Plate H25mm- Electric Motor - Size 90	AISI 316, Stainless Steel
6	1000050	Deltapump Name Plate	Brass

Material: -

Unless otherwise specified:
 Dimensions are in MM
 Machining Tolerances are:
 NS-ISO-2768-1-M
 NS-ISO-2768-2-K
 Surface Finish: Ra3.2
 Size: A3 | Do Not Scale

Designed by	Date	Deltapump AS 5537 Haugesund Norway
RSK	13/12/2019	
Checked by	Date	Mass (kg)
	13/12/2019	26.77 kg
Approved by	Date	Sheet
	13/12/2019	1 of 1



Description:	Stock Number:	Drawing Reference:
Delta 200-034X - Pump & Motor - OUTLINE 90 Motor	N/A	DP160347

SINCE 1878

deltapump.no | orgnr: 992 107 626

This drawing and the information contained in it are proprietary and the sole property of DELTAPUMP A.S. and any use, reproduction or distribution, in whole or part, without the prior written consent is prohibited.

DELTA PUMP - Reserve "The Right" to change ALL OUTLINE DIMENSIONS without further notice!

