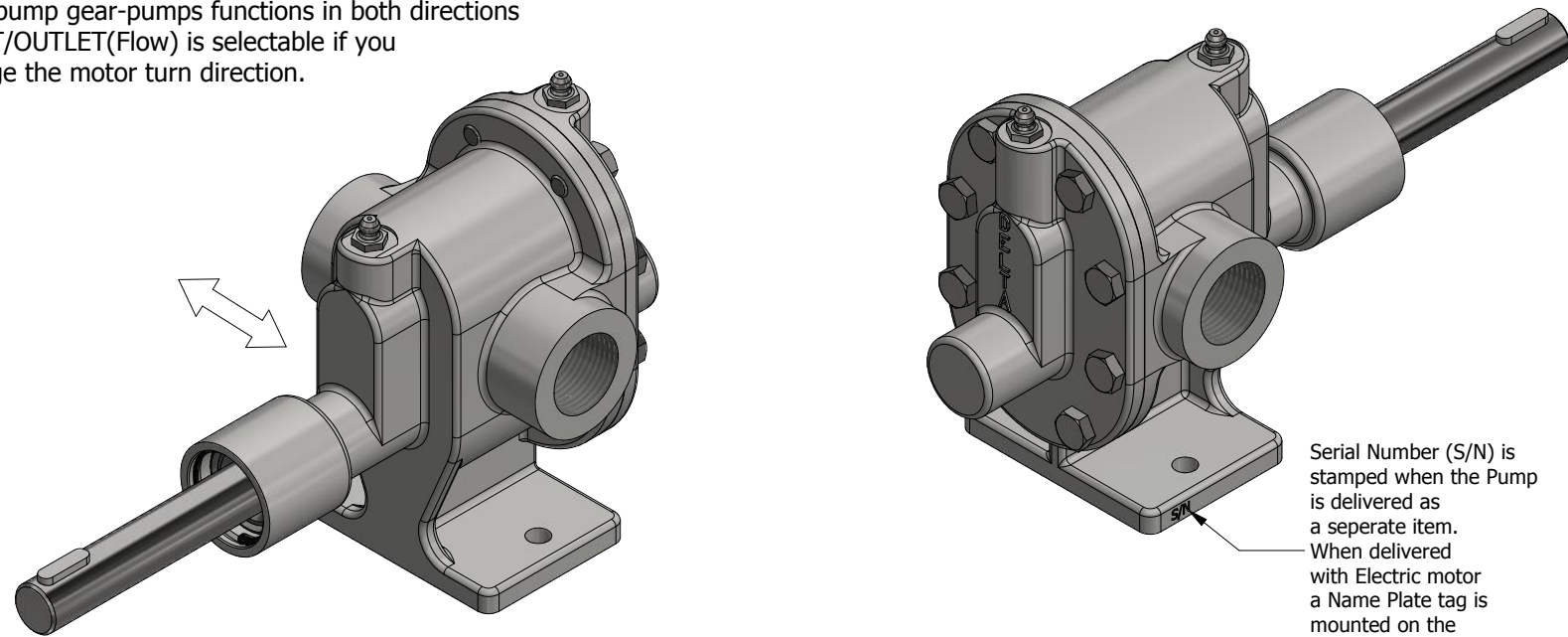
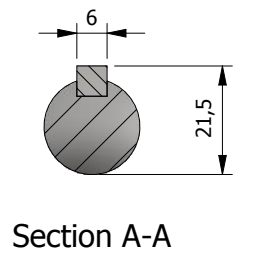


NOTE:
 Deltapump gear-pumps functions in both directions
 INLET/OUTLET(Flow) is selectable if you
 change the motor turn direction.



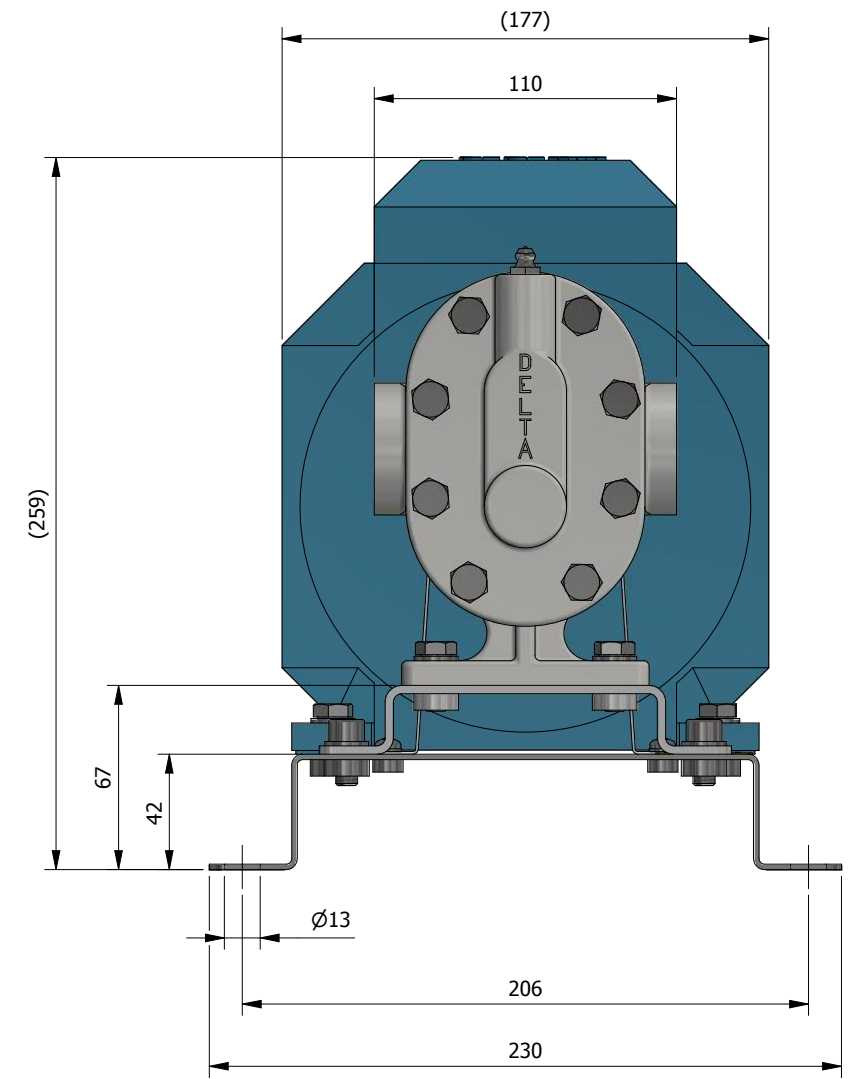
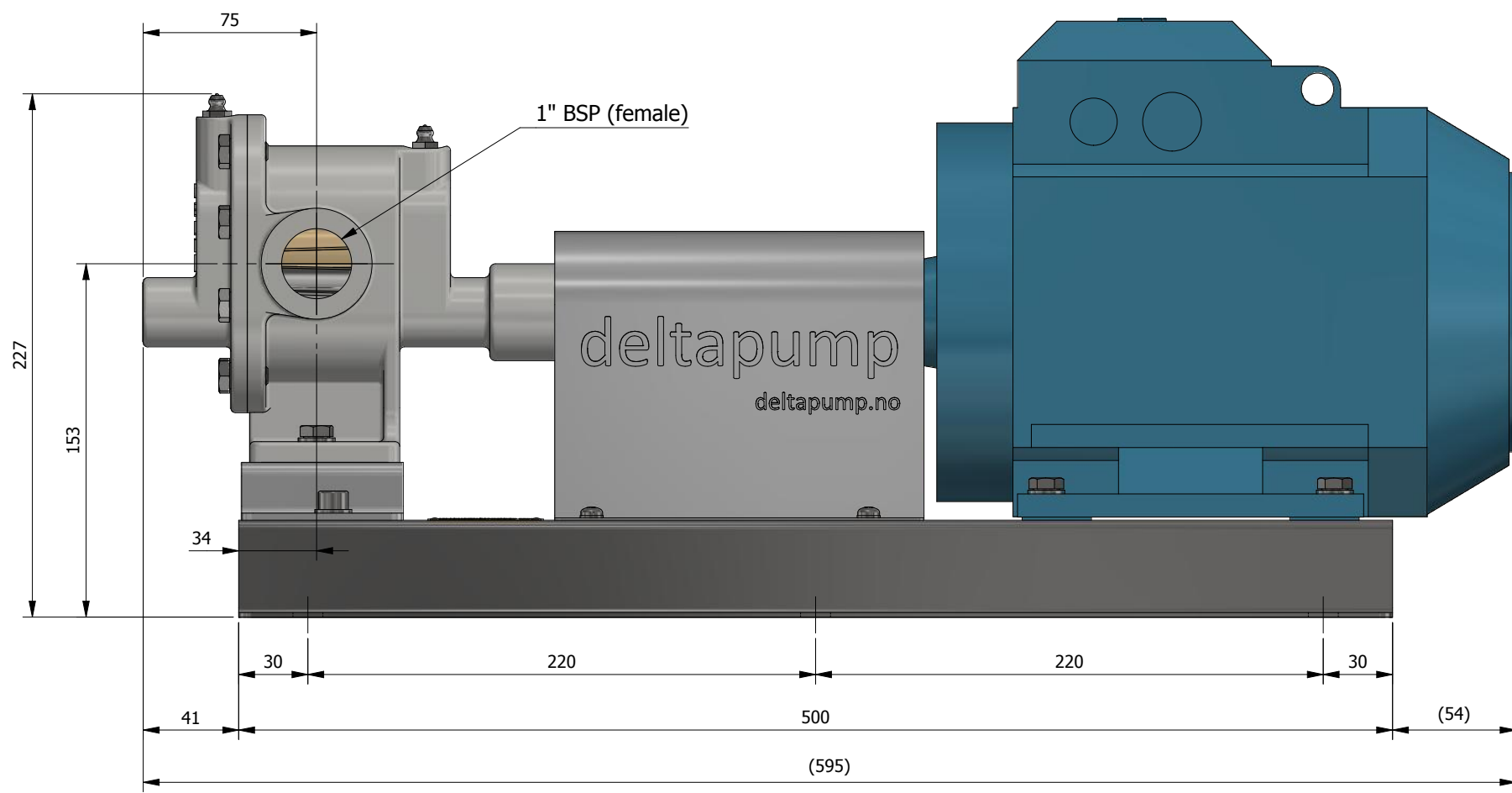
Serial Number (S/N) is stamped when the Pump is delivered as a separate item. When delivered with Electric motor a Name Plate tag is mounted on the Base Plate.

Notes
 Keyway dimensions:
 Length : 22mm
 Width : 6mm

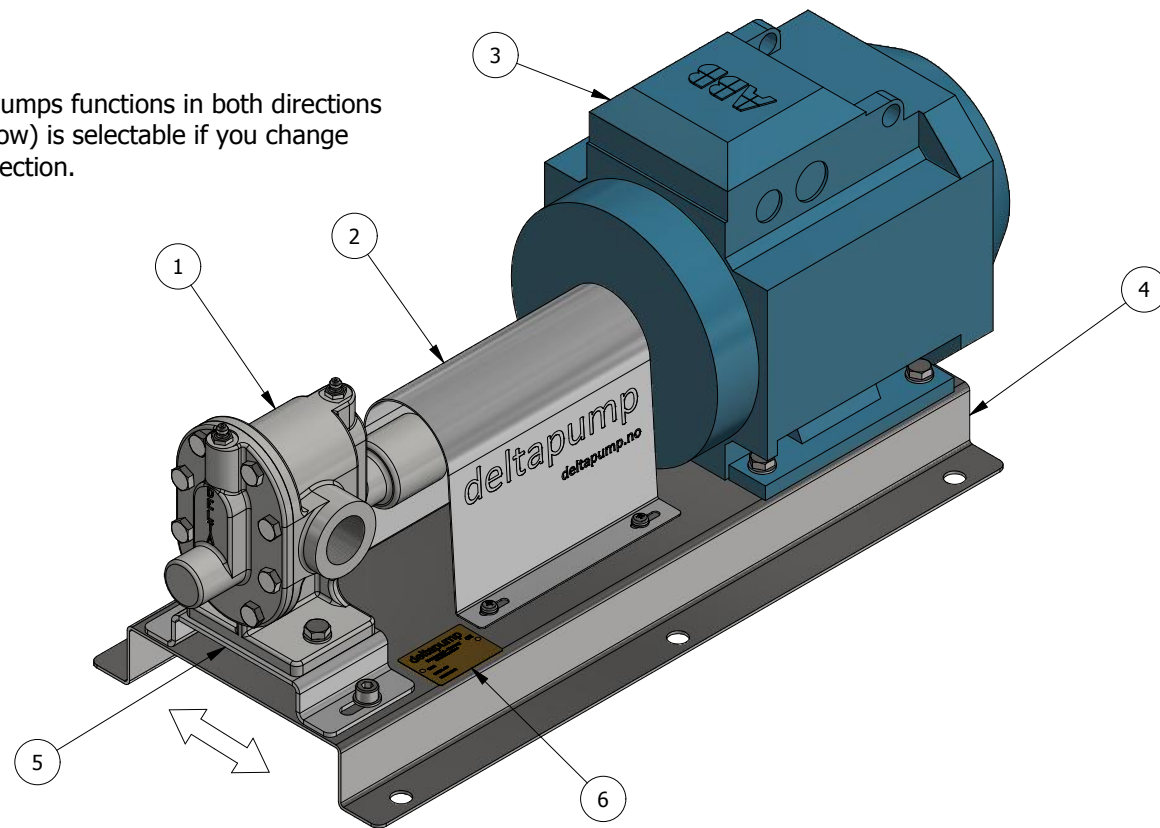


DELTA PUMP - Reserve "The Right" to change ALL OUTLINE DIMENSIONS without further notice!

Material: -		Designed by		Date	Deltapump AS	SINCE 1878	
Unless otherwise specified: Dimensions are in MM		RSK	13/12/2019	13/12/2019	5537 Haugesund Norway	deltapump	
Machining Tolerances are: NS-ISO-2768-1-M NS-ISO-2768-2-K		Checked by	13/12/2019	13/12/2019	Mass (kg)	deltapump.no orgnr: 992 107 626	
Surface Finish: Ra3.2		Approved by	13/12/2019	13/12/2019	5.59 kg	This drawing and the information contained in it are proprietary and the sole property of DELTAPUMP A.S. and any use, reproduction or distribution, in whole or part, without the prior written consent is prohibited.	
Size: A3 Do Not Scale		Projection Angle		Sheet	1 of 1	Stock Number: 2100S	
Description: Delta 200-100 - Pump ASSY - OUTLINE		Drawing Reference: DP160331		Rev. 0			



NOTE:
Deltapump gear-pumps functions in both directions
INLET/OUTLET(Flow) is selectable if you change
the motor turn direction.



NOTES:

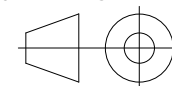
* A Name Plate tag (ITEM 6) is mounted on the Base Plate, when the Pump is delivered with EI. Motor

ITEM	STOCK NUMBER	DESCRIPTION	MATERIAL
1	2100S	Delta 200-100 - Pump ASSY	-
2	250721	200-034/100 - Protection Cover - 90 Motor	AISI 316, Stainless Steel
3	N/A	Electric Motor - Size 90 -B3	Alu./copper
4	250715	200-034/100 - Base Plate - EI. Motor 90	AISI 316, Stainless Steel
5	255455	Spacer Plate H25mm- Electric Motor - Size 90	AISI 316, Stainless Steel
6	1000050	Deltapump Name Plate	Brass

Material: -

Unless otherwise specified:
Dimensions are in MM
Machining Tolerances are:
NS-ISO-2768-1-M
NS-ISO-2768-2-K
Surface Finish: Ra3.2
Size: A3 | Do Not Scale

Designed by	Date	Deltapump AS 5537 Haugesund Norway
RSK	13/12/2019	
Checked by	Date	Mass (kg)
	13/12/2019	27.28 kg
Approved by	Date	Sheet
	13/12/2019	1 of 1



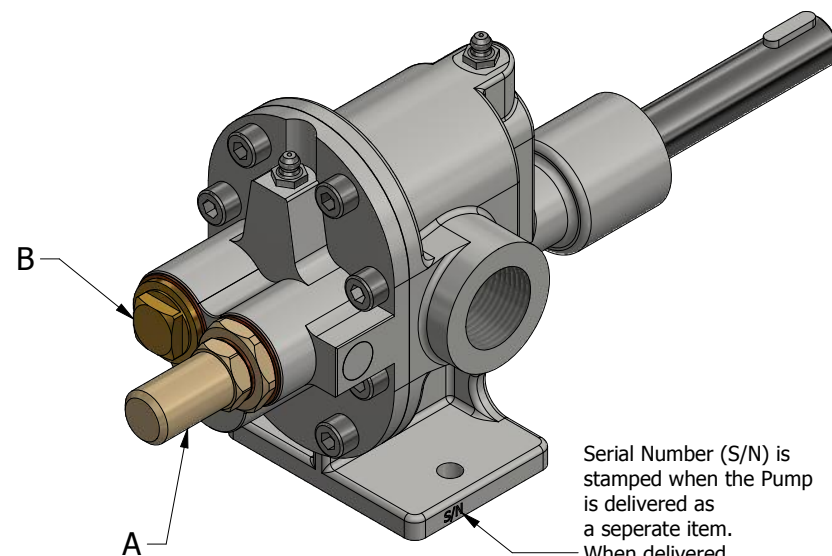
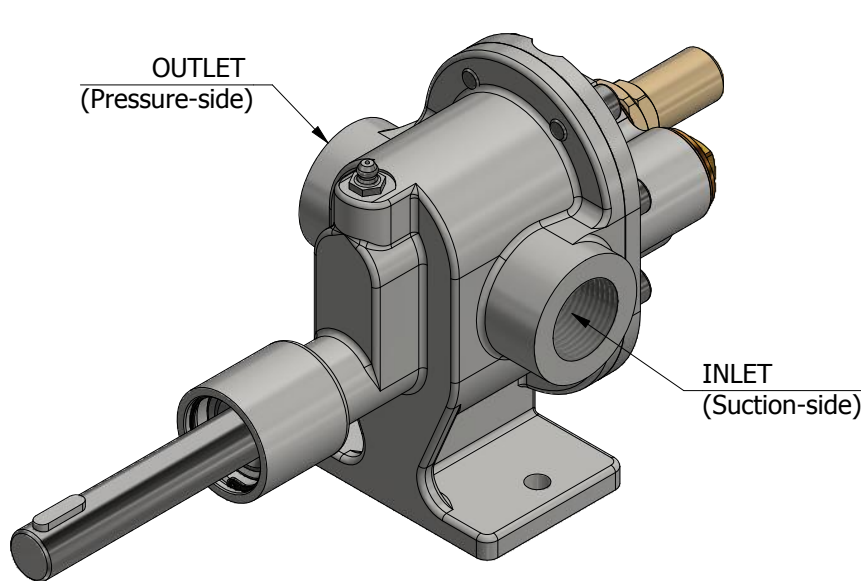
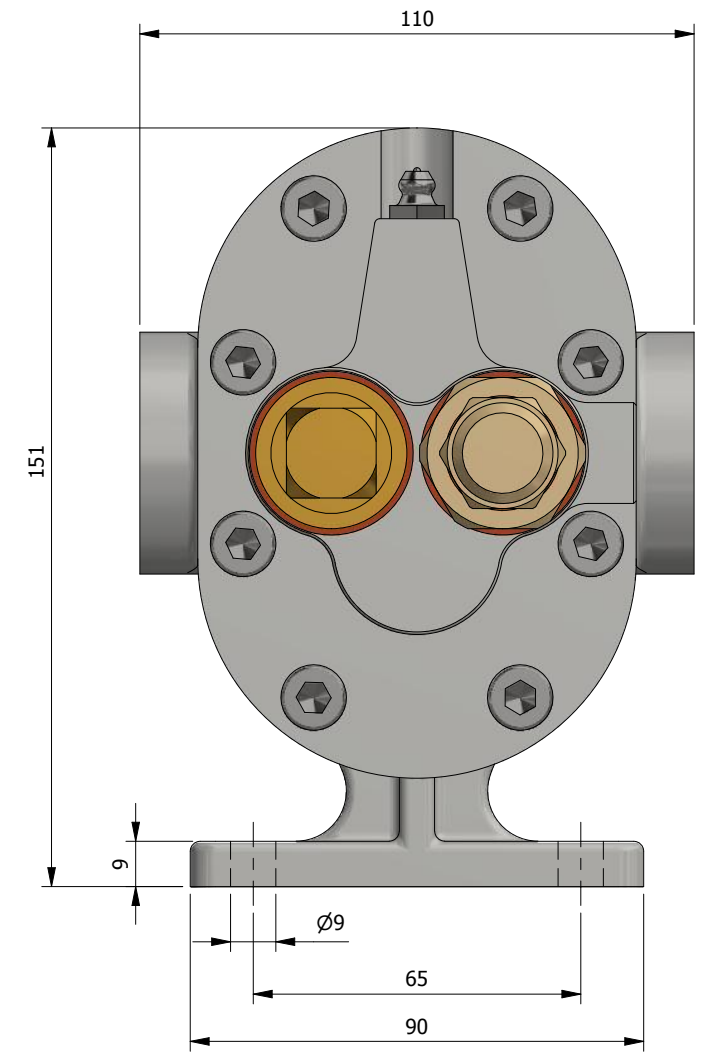
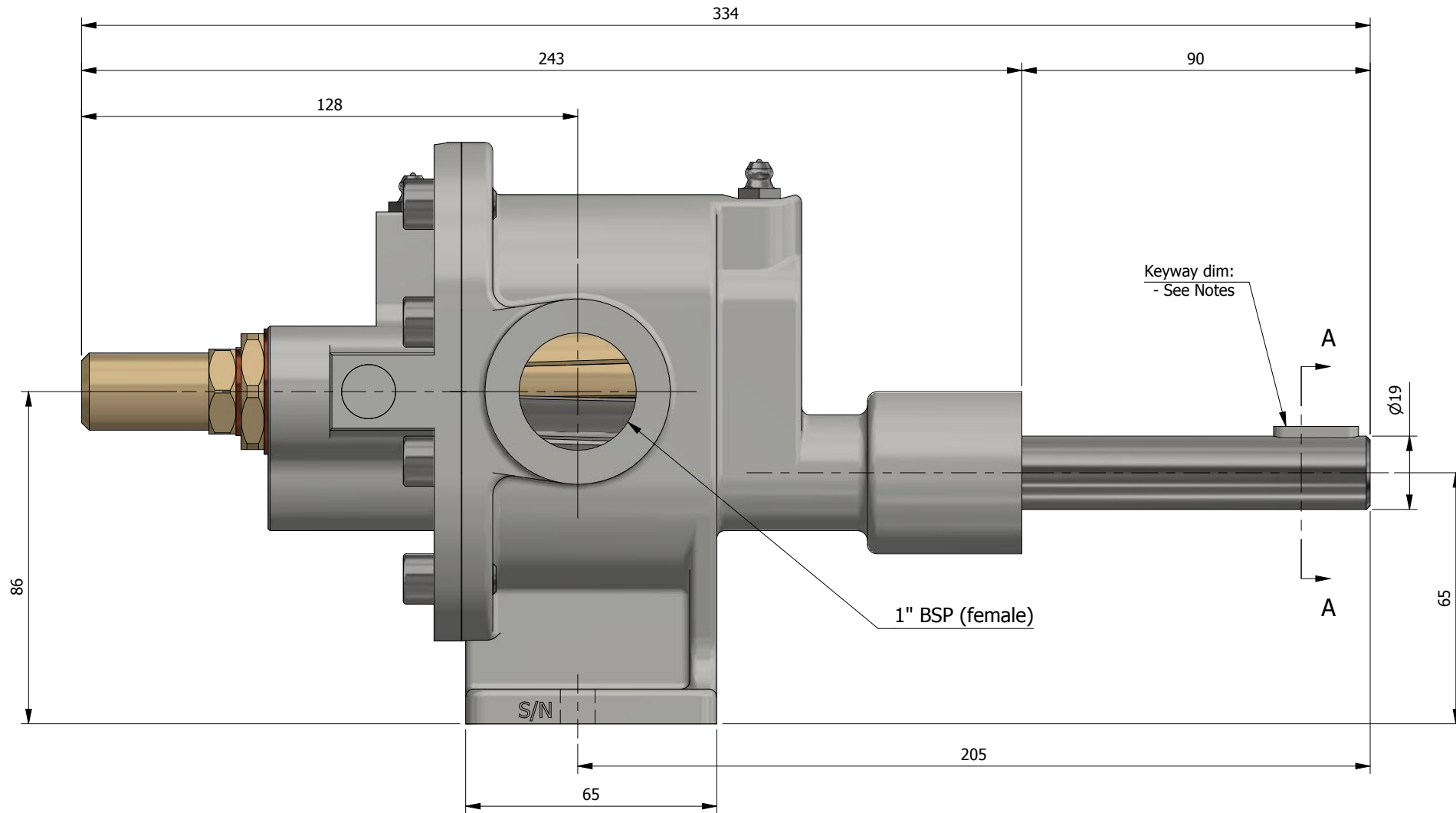
Description:	Stock Number:	Drawing Reference:
Delta 200-100 - Pump & Motor - OUTLINE 90 Motor	N/A	DP160349
		Rev. 0



This drawing and the information contained in it are proprietary and the sole property of DELTAPUMP A.S. and any use, reproduction or distribution, in whole or part, without the prior written consent is prohibited.

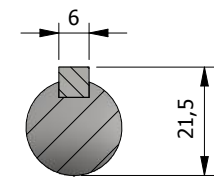
DELTA PUMP - Reserve "The Right" to change ALL OUTLINE DIMENSIONS without further notice!

NOTE:
 This Pump, have an option to change Flow-direction to ease the install process. If a customer would like to change the direction of flow:
 * First exchange part "A" (valve-assembly) for "B" (plug insert)
 * You also need to reverse the rotation of the electric motor.
 The valve (A) SHOULD ALWAYS be placed on the pumps pressure-side/OUTLET to maintain the Safety-Valve functionality!



Serial Number (S/N) is stamped when the Pump is delivered as a separate item. When delivered with Electric motor a Name Plate tag is mounted on the Base Plate.

Notes
 Keyway dimensions:
 Length : 22mm
 Width : 6mm

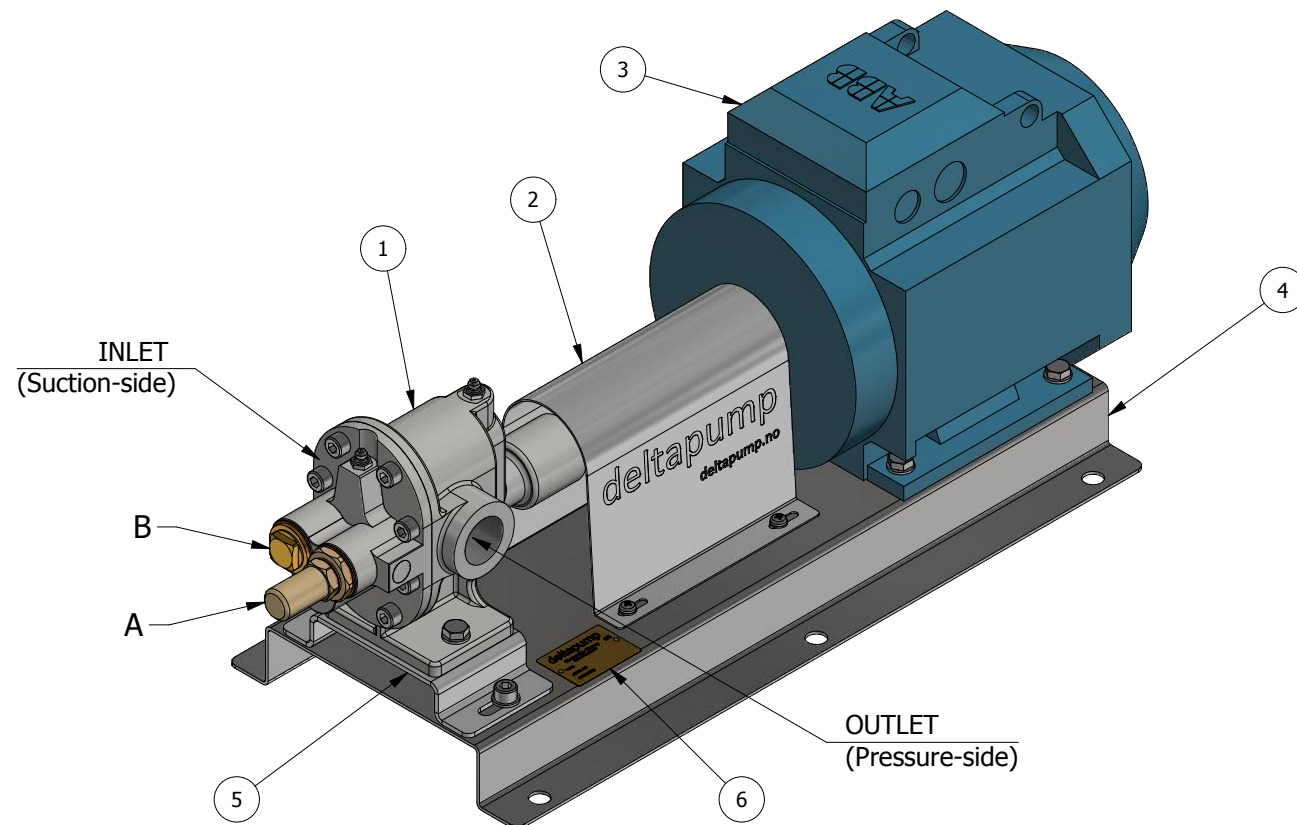
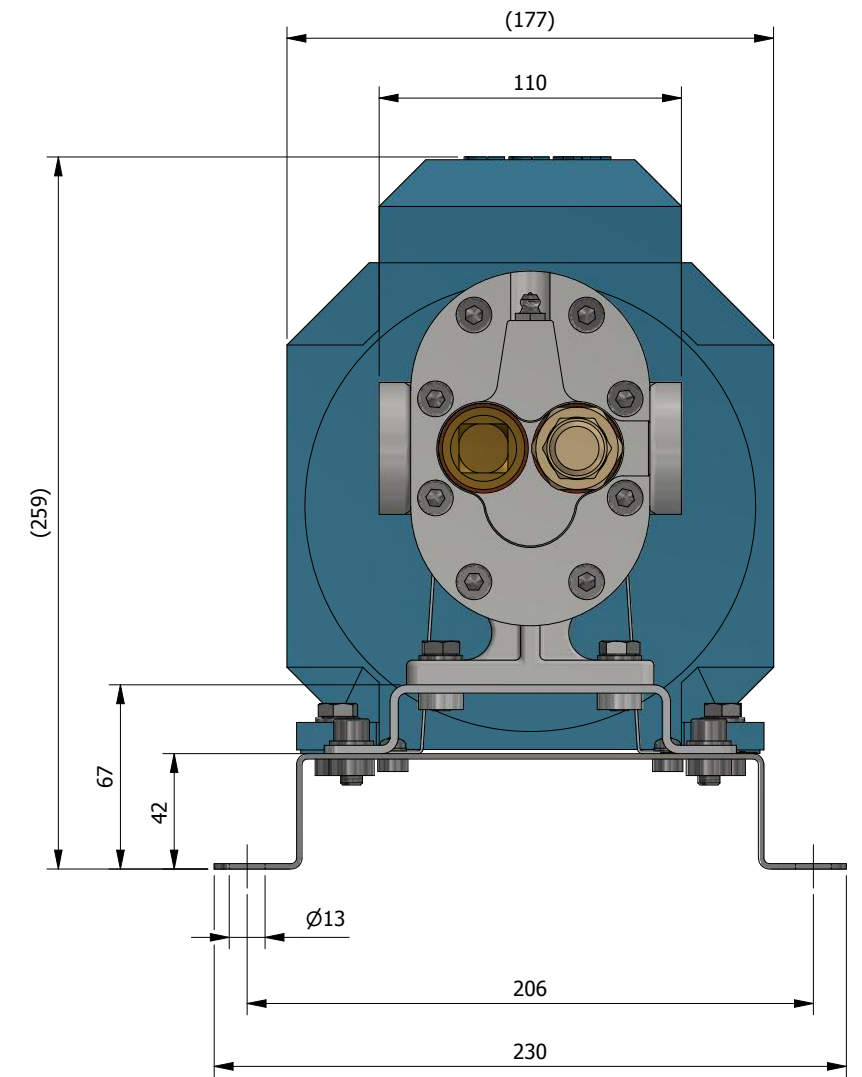
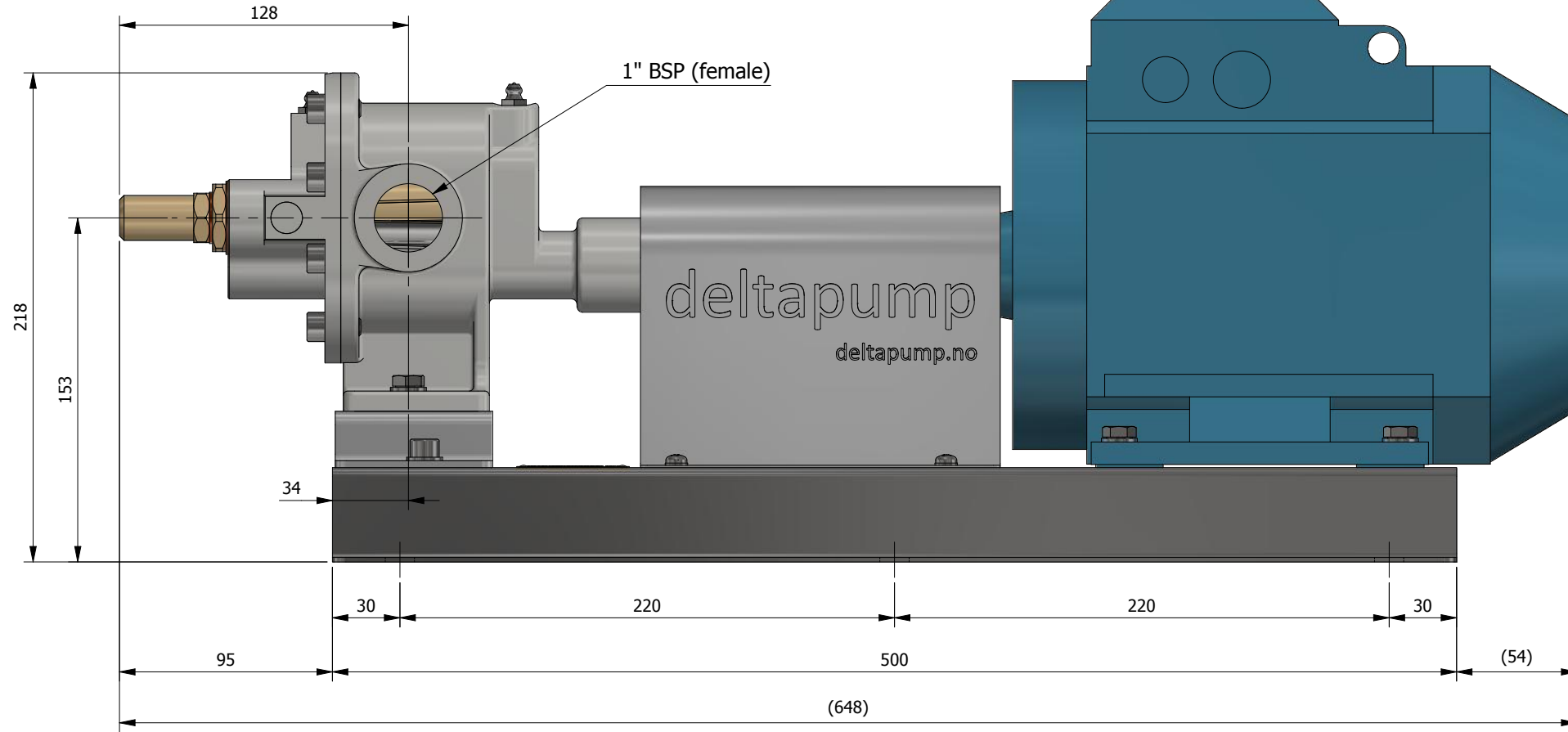


Section A-A

Material: -		Designed by		Date	Deltapump AS	SINCE 1878	
Unless otherwise specified: Dimensions are in MM		RSK	13/12/2019	13/12/2019	5537 Haugesund Norway	deltapump	
Machining Tolerances are: NS-ISO-2768-1-M NS-ISO-2768-2-K		Checked by	13/12/2019	13/12/2019	Mass (kg)	deltapump.no orgnr: 992 107 626	
Surface Finish: Ra3.2		Approved by	13/12/2019	13/12/2019	6.12 kg	This drawing and the information contained in it are proprietary and the sole property of DELTAPUMP A.S. and any use, reproduction or distribution, in whole or part, without the prior written consent is prohibited.	
Size: A3 Do Not Scale		Projection Angle		1 of 1	Sheet	Stock Number: DP160337	
				Description:		Drawing Reference:	
				Delta 200-100X - Pump ASSY - OUTLINE		2100SX Rev. 0	

DELTA PUMP - Reserve "The Right" to change ALL OUTLINE DIMENSIONS without further notice!

NOTE:
 This Pump, have an option to change Flow-direction to ease the install process. If a customer would like to change the direction of flow:
 * First exchange part "A" (valve-assembly) for "B" (plug insert)
 * You also need to reverse the rotation of the electric motor. The valve (A) **SHOULD ALWAYS** be placed on the pumps pressure-side/OUTLET to maintain the Safety-Valve functionality!



NOTES:

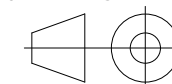
* A Name Plate tag (ITEM 6) is mounted on the Base Plate, when the Pump is delivered with El. Motor

ITEM	STOCK NUMBER	DESCRIPTION	MATERIAL
1	2100SX	Delta 200-100X - Pump ASSY	-
2	250721	200-034/100 - Protection Cover - 90 Motor	AISI 316, Stainless Steel
3	N/A	Electric Motor - Size 90 -B3	Alu./copper
4	250715	200-034/100 - Base Plate - El. Motor 90	AISI 316, Stainless Steel
5	255455	Spacer Plate H25mm- Electric Motor - Size 90	AISI 316, Stainless Steel
6	1000050	Deltapump Name Plate	Brass

Material: -

Unless otherwise specified:
 Dimensions are in MM
 Machining Tolerances are:
 NS-ISO-2768-1-M
 NS-ISO-2768-2-K
 Surface Finish: Ra3.2
 Size: A3 | Do Not Scale
 Projection Angle

Designed by	Date	Deltapump AS 5537 Haugesund Norway
RSK	13/12/2019	
Checked by	Date	Mass (kg)
	13/12/2019	27.81 kg
Approved by	Date	Sheet
	13/12/2019	1 of 1



Description:	Stock Number:	Drawing Reference:
Delta 200-100X - Pump & Motor - OUTLINE 90 Motor	N/A	DP160351 Rev. 0

SINCE 1878

deltapump

deltapump.no | orgnr: 992 107 626

This drawing and the information contained in it are proprietary and the sole property of DELTAPUMP A.S. and any use, reproduction or distribution, in whole or part, without the prior written consent is prohibited.

DELTA PUMP - Reserve "The Right" to change ALL OUTLINE DIMENSIONS without further notice!

