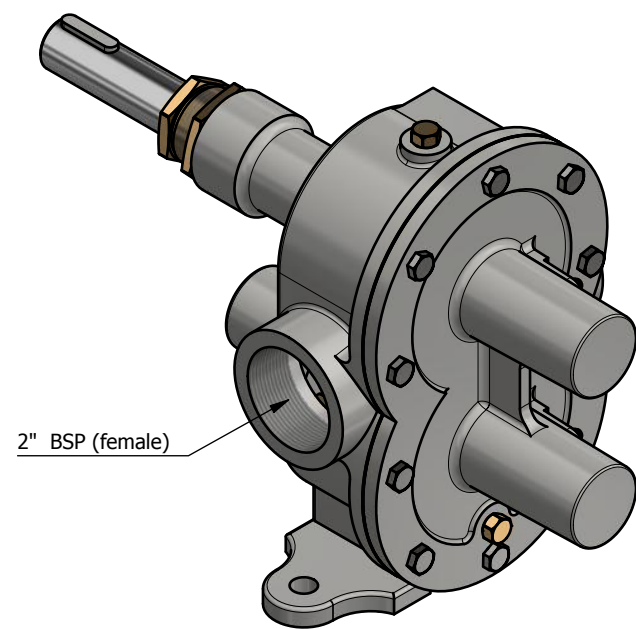
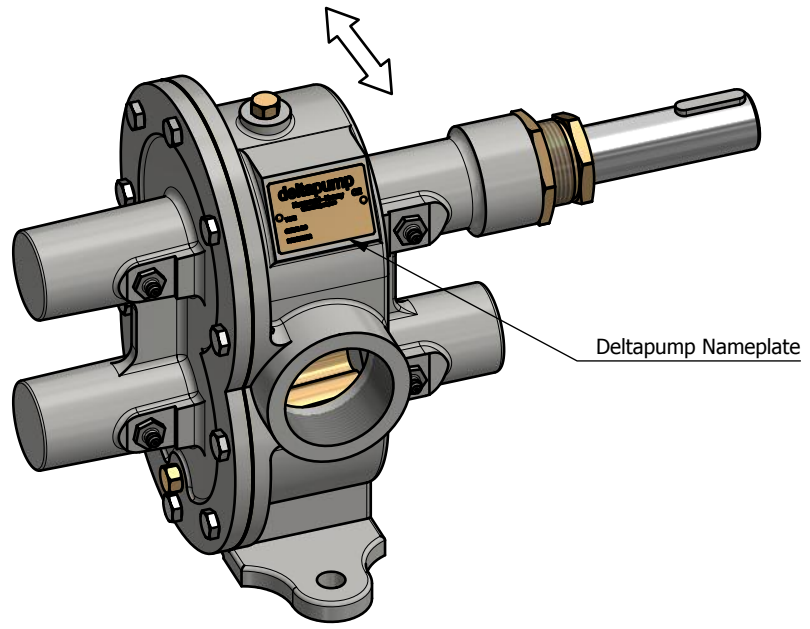
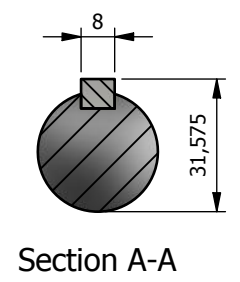


NOTE:
 Deltapump gear-pumps functions in both directions INLET/OUTLET(Flow) is selectable if you change the motor turn direction.

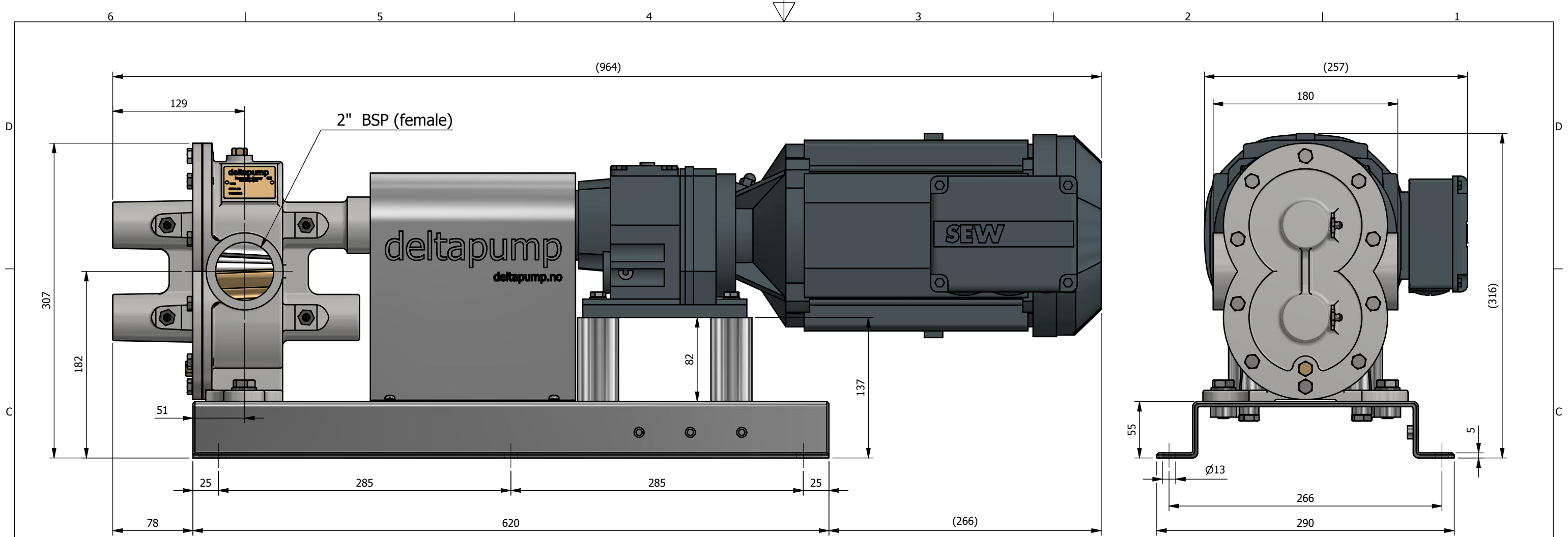


Notes
 Keyway dimensions:
 Length : 36mm
 Width : 8mm

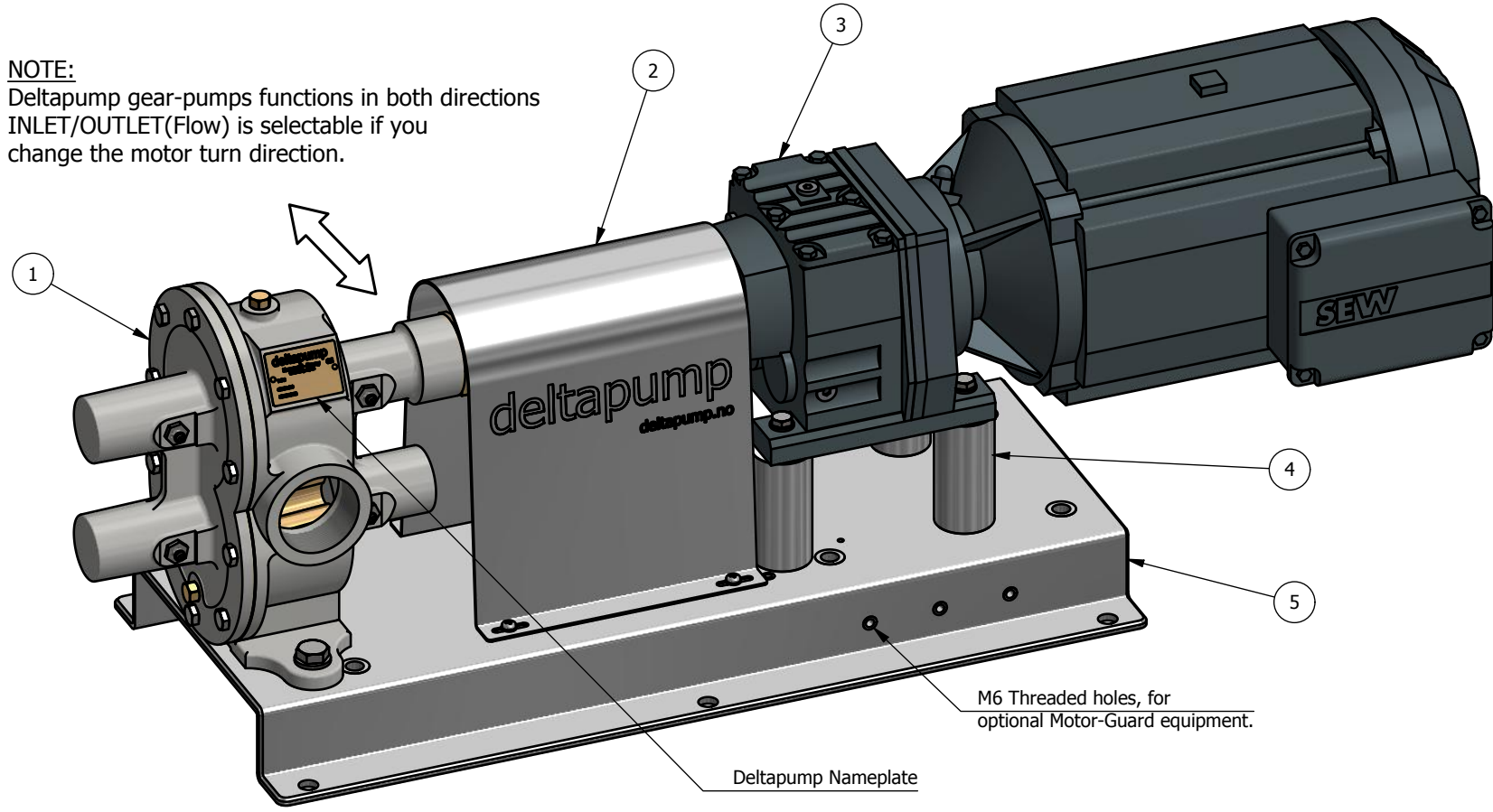


Material: -		Designed by		Date	Deltapump AS	SINCE 1878 deltapump deltapump.no orgnr: 992 107 626
Unless otherwise specified: Dimensions are in MM		RSK	08/05/2020	5537 Haugesund Norway		
Machining Tolerances are: NS-ISO-2768-1-M NS-ISO-2768-2-K		Checked by	08/05/2020	Mass (kg)	21.19 kg	This drawing and the information contained in it are proprietary and the sole property of DELTAPUMP A.S. and any use, reproduction or distribution, in whole or part, without the prior written consent is prohibited.
Surface Finish: Ra3.2 Size: A3 Do Not Scale		Approved by	08/05/2020	Sheet	1 of 1	
Projection Angle		Description:		Stock Number:	Drawing Reference:	
		Delta 400-200PT - Pump ASSY - OUTLINE		4200PT	DP160183	Rev. 0

DELTA PUMP - Reserve "The Right" to change ALL OUTLINE DIMENSIONS without further notice!



NOTE:
Deltapump gear-pumps functions in both directions
INLET/OUTLET(Flow) is selectable if you
change the motor turn direction.




NOTES:
* A Name Plate, is mounted on the Pump

ITEM	QTY	STOCK NUMBER	DESCRIPTION	MATERIAL
1	1	4200PT	Delta 400-200PT - Pump ASSY	-
2	1	250725	400-200/212PT R37/R47 - Protection Cover	AISI 316, Stainless Steel
3	1	N/A	Electric Motor SEW R37 - Size 100	Cast iron/Alu
4	4	255259	400-200/212PT R37 - Spacer for Base plate	AISI 316, Stainless Steel
5	1	250717	400-200/212PT R37/R47 - Base Plate 5mm	AISI 316, Stainless Steel

Material: -

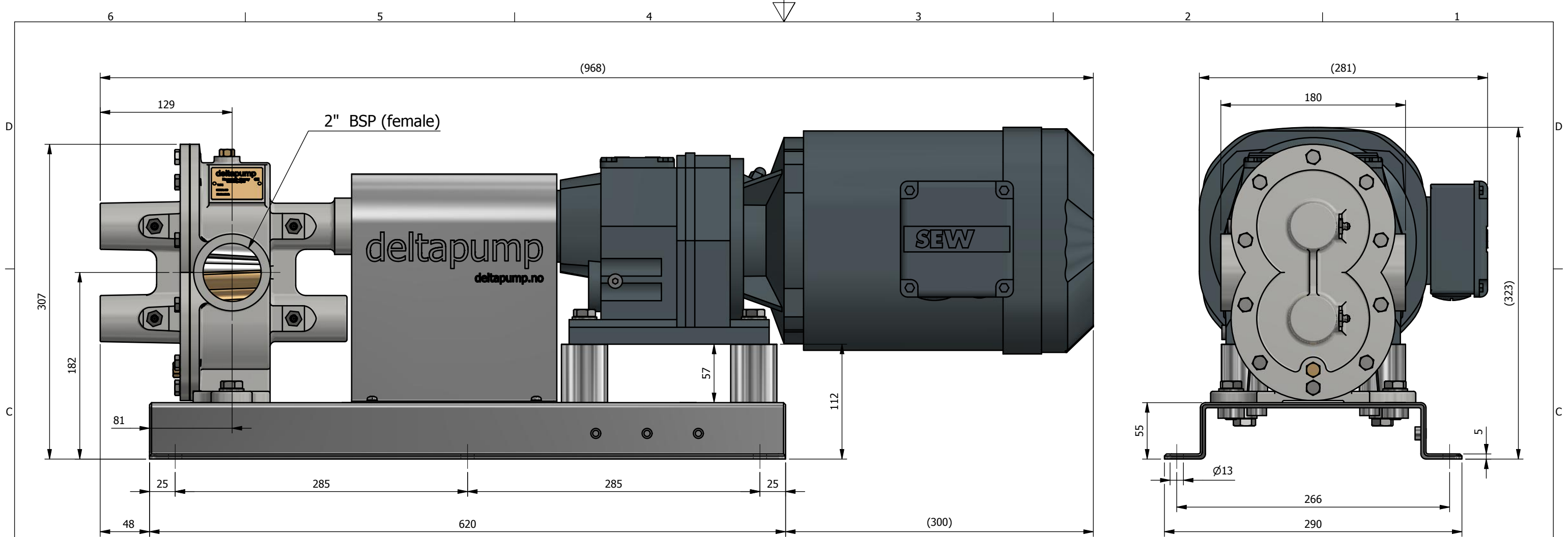
Unless otherwise specified:
Dimensions are in MM
Machining Tolerances are:
NS-ISO-2768-1-M
NS-ISO-2768-2-K
Surface Finish: Ra3.2
Size: A3 | Do Not Scale

Designed by	Date	Deltapump AS 5537 Haugesund Norway	 <p>SINCE 1878</p> <p>deltapump.no orgnr: 992 107 626</p>
RSK	13/09/2021	Mass (kg)	
Checked by	Date	76.51 kg	<p>This drawing and the information contained in it are proprietary and the sole property of DELTAPUMP A.S. and any use, reproduction or distribution, in whole or part, without the prior written consent is prohibited.</p>
	13/09/2021	Sheet	
Approved by	Date	1 of 1	
	13/09/2021		

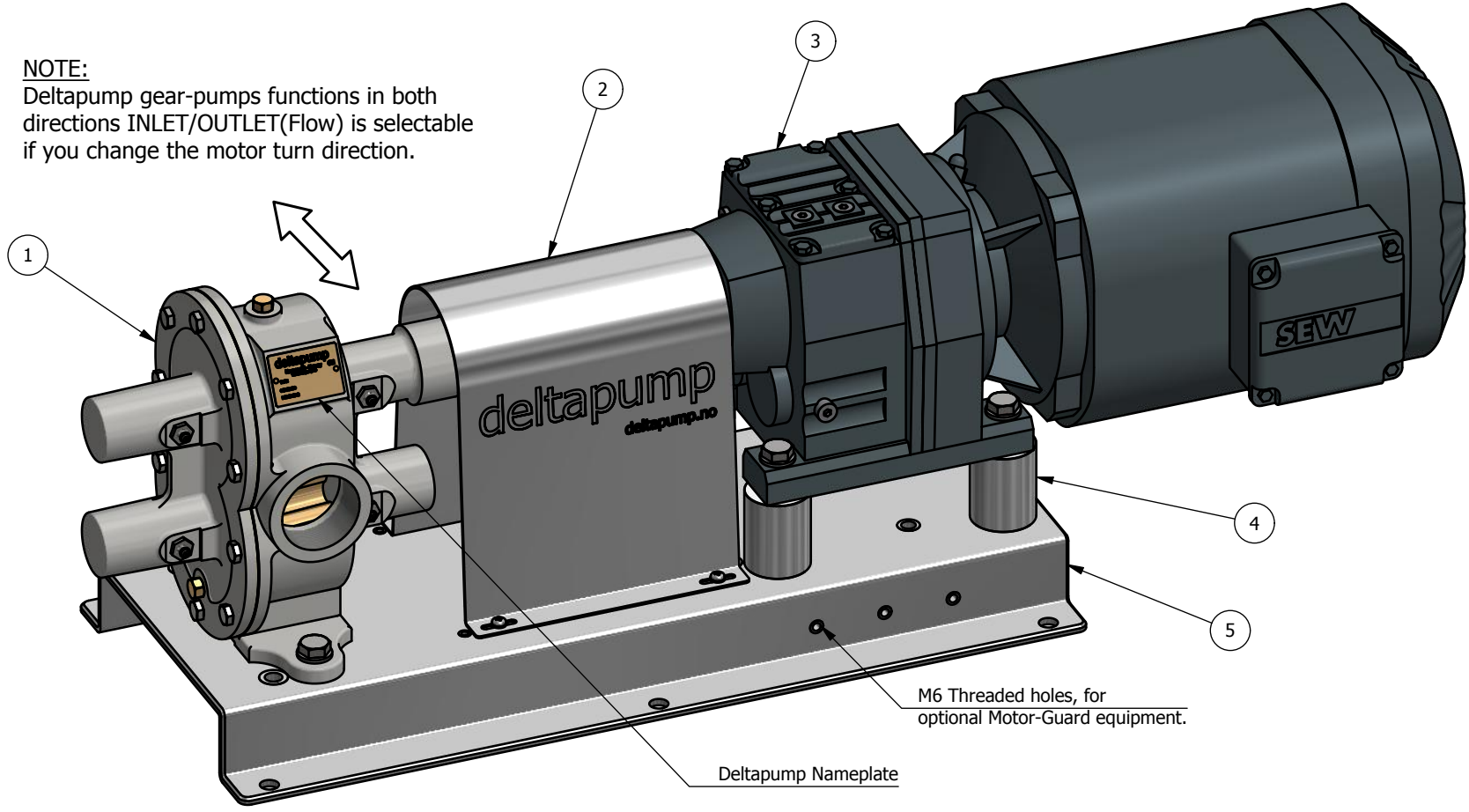
Projection Angle

Description:	Stock Number:	Drawing Reference:
Delta 400-200PT R37 - Pump & Motor - OUTLINE	N/A	DP160182 Rev. 0

DELTA PUMP - Reserve "The Right" to change ALL OUTLINE DIMENSIONS without further notice!



NOTE:
 Deltapump gear-pumps functions in both directions INLET/OUTLET(Flow) is selectable if you change the motor turn direction.



NOTES:
 * A Name Plate, is mounted on the Pump

ITEM	QTY	STOCK NUMBER	DESCRIPTION	MATERIAL
1	1	4200PT	Delta 400-200PT - Pump ASSY	-
2	1	250725	400-200/212PT R37/R47 - Protection Cover	AISI 316, Stainless Steel
3	1	N/A	Electric Motor SEW R47 - Size 112	Cast iron/Alu
4	4	251594	400-200/212PT R47 - Spacer for Base plate	AISI 316, Stainless Steel
5	1	250717	400-200/212PT R37/R47 - Base Plate 5mm	AISI 316, Stainless Steel

Material: -

Unless otherwise specified:
 Dimensions are in MM
 Machining Tolerances are:
 NS-ISO-2768-1-M
 NS-ISO-2768-2-K
 Surface Finish: Ra3.2
 Size: A3 | Do Not Scale

Designed by	Date	Deltapump AS 5537 Haugesund Norway
RSK	13/09/2021	
Checked by	Date	Mass (kg)
	13/09/2021	93.94 kg
Approved by	Date	Sheet
	13/09/2021	1 of 1

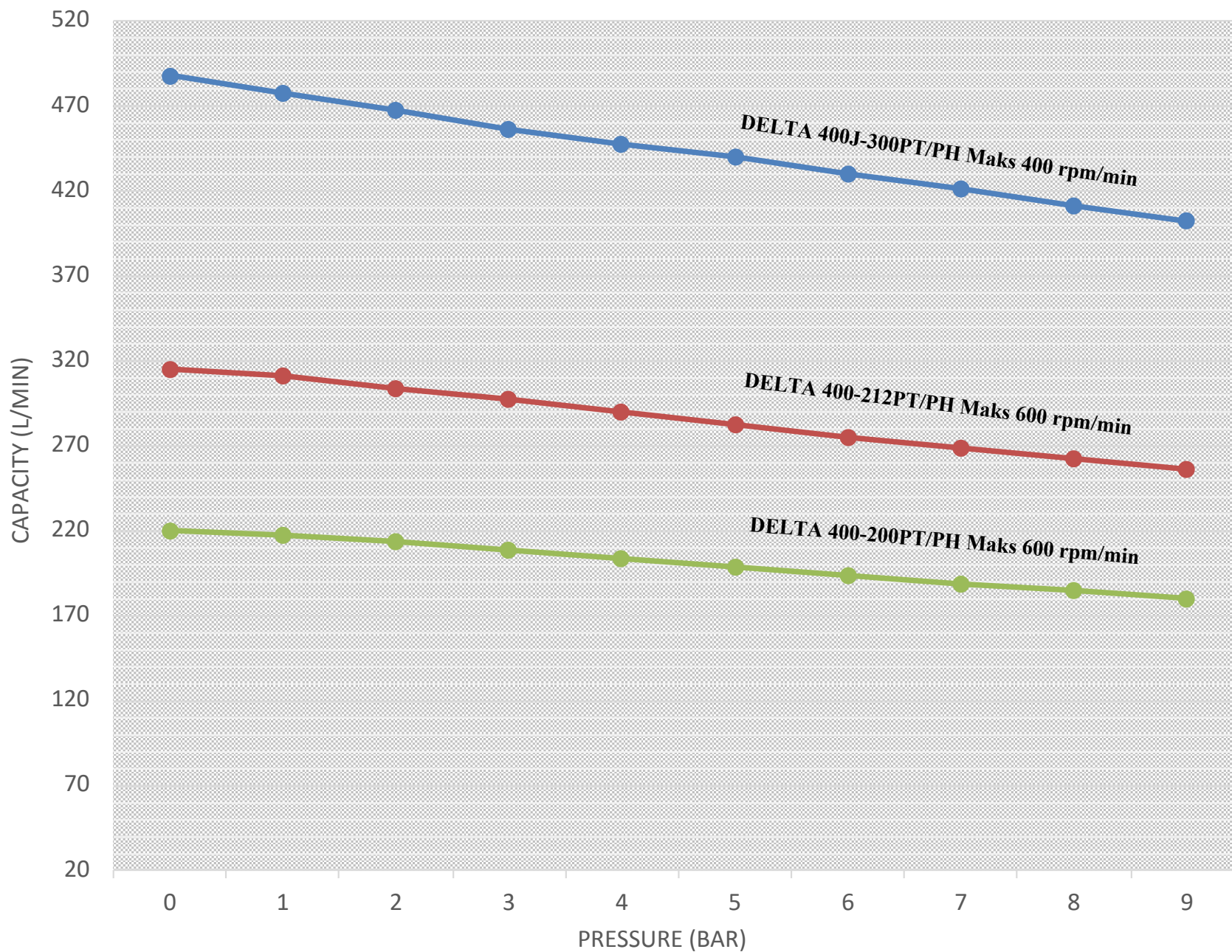
Projection Angle

Description: Delta 400-200PT R47 - Pump & Motor - OUTLINE
 Stock Number: N/A
 Drawing Reference: DP160423
 Rev. 0

SINCE 1878
deltapump
deltapump.no | orgrn: 992 107 626
This drawing and the information contained in it are proprietary and the sole property of DELTAPUMP A.S. and any use, reproduction or distribution, in whole or part, without the prior written consent is prohibited.

DELTAPUMP - Reserve "The Right" to change ALL OUTLINE DIMENSIONS without further notice!

Pump Characteristics DELTA 400-serien



deltapump
SINCE 1878