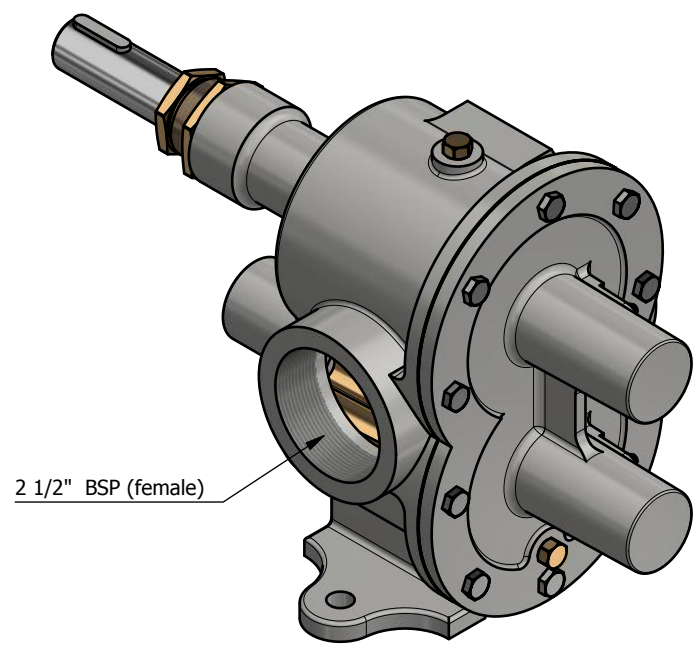
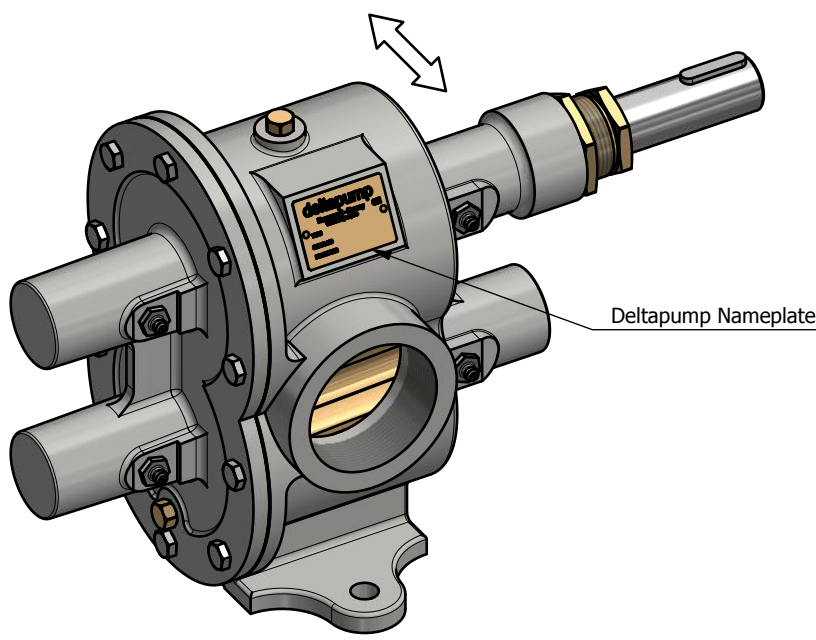
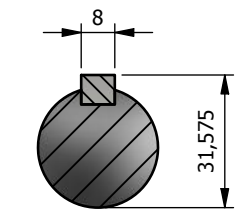


**NOTE:**  
Deltapump gear-pumps functions in both directions INLET/OUTLET(Flow) is selectable if you change the motor turn direction.



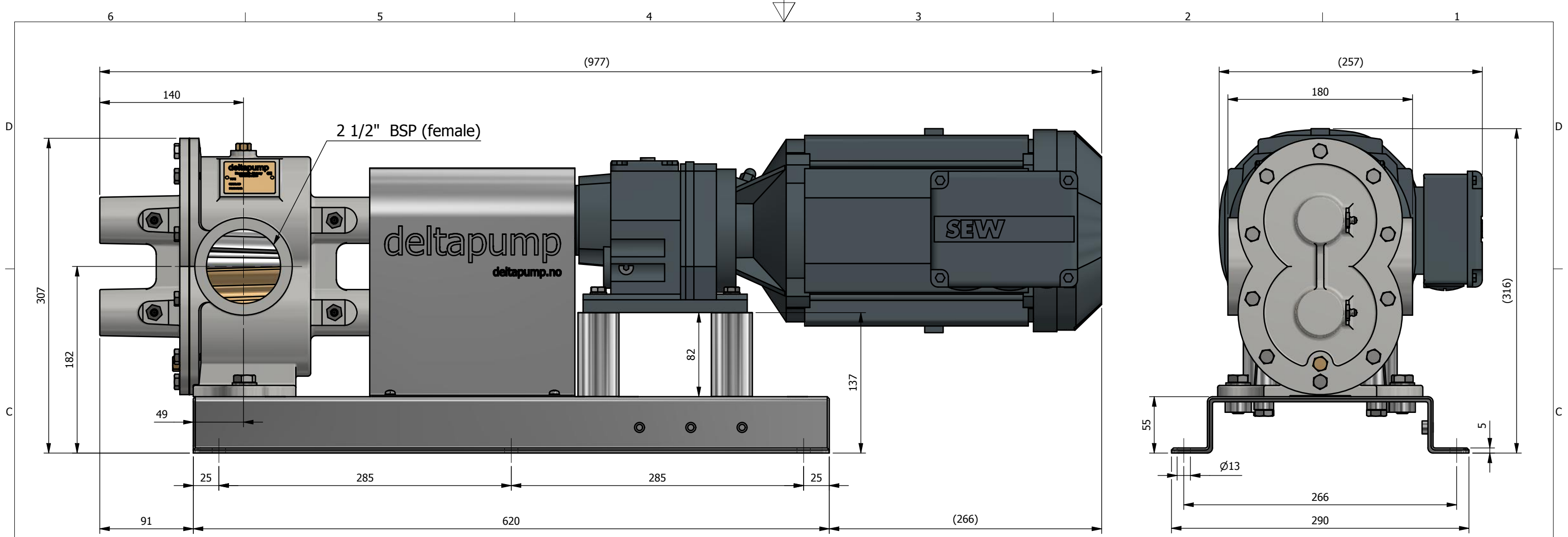
**Notes**  
Keyway dimensions:  
Length : 36mm  
Width : 8mm



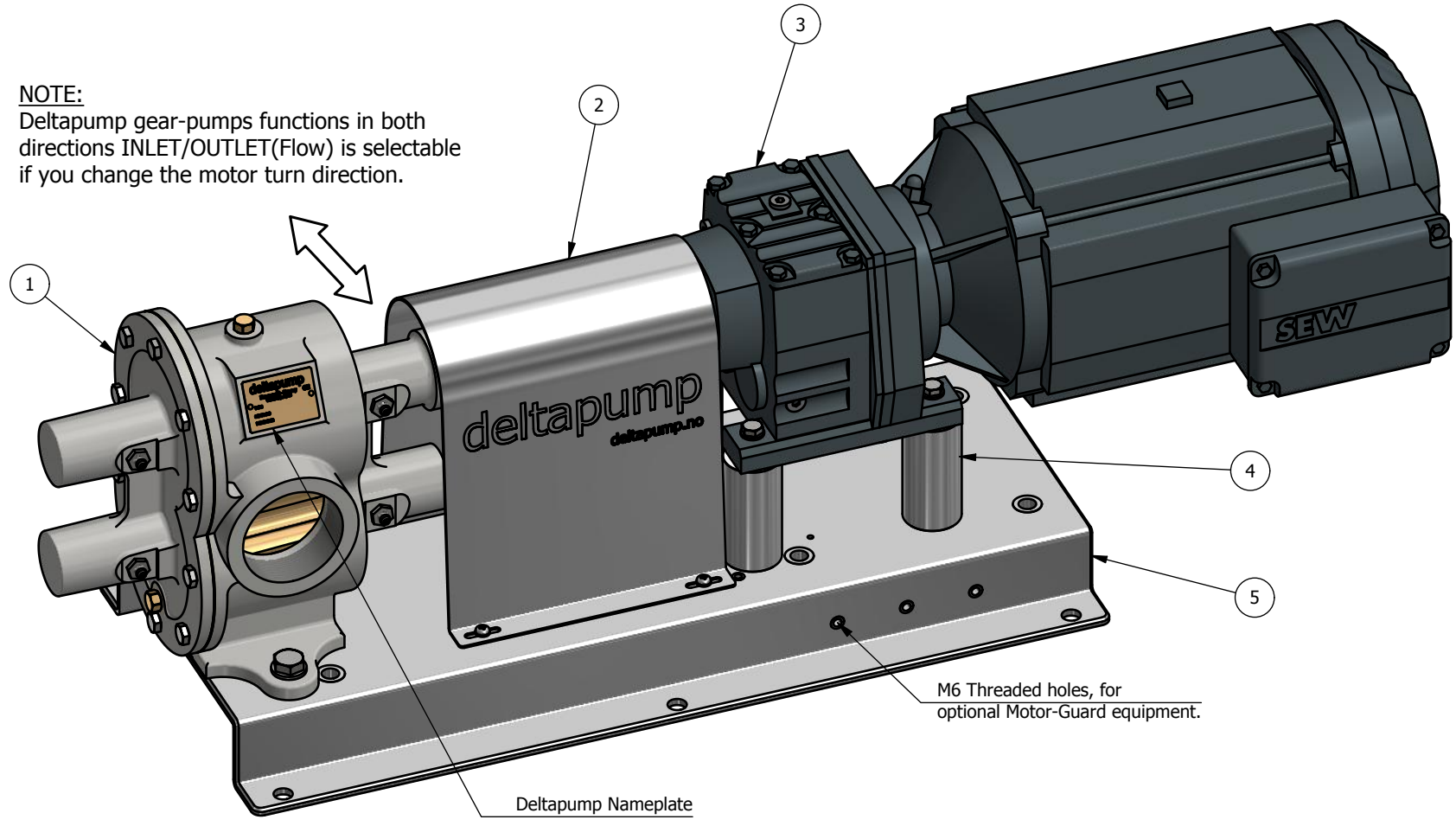
Section A-A

Material: -		Designed by		Date	Deltapump AS	SINCE 1878
Unless otherwise specified: Dimensions are in MM		RSK	08/05/2020	08/05/2020	5537 Haugesund Norway	
Machining Tolerances are: NS-ISO-2768-1-M NS-ISO-2768-2-K		Checked by	Date	08/05/2020	Mass (kg)	deltapump.no   orgnr: 992 107 626
Surface Finish: Ra3.2		Approved by	Date	08/05/2020	26.73 kg	
Size: A3   Do Not Scale		Projection Angle		1 of 1	Sheet	Stock Number: 4212PT Drawing Reference: DP160225 Rev. 0
				Description: Delta 400-212PT - Pump ASSY - OUTLINE		

DELTA PUMP - Reserve "The Right" to change ALL OUTLINE DIMENSIONS without further notice!



**NOTE:**  
Deltapump gear-pumps functions in both directions INLET/OUTLET(Flow) is selectable if you change the motor turn direction.





**NOTES:**  
\* A Name Plate, is mounted on the Pump

ITEM	QTY	STOCK NUMBER	DESCRIPTION	MATERIAL
1	1	4212PT	Delta 400-212PT - Pump ASSY	-
2	1	250725	400-200/212PT R37/R47 - Protection Cover	AISI 316, Stainless Steel
3	1	N/A	Electric Motor SEW R37 - Size 100	Cast iron/Alu
4	4	255259	400-200/212PT R37 - Spacer for Base plate	AISI 316, Stainless Steel
5	1	250717	400-200/212PT R37/R47 - Base Plate 5mm	AISI 316, Stainless Steel

Material: -

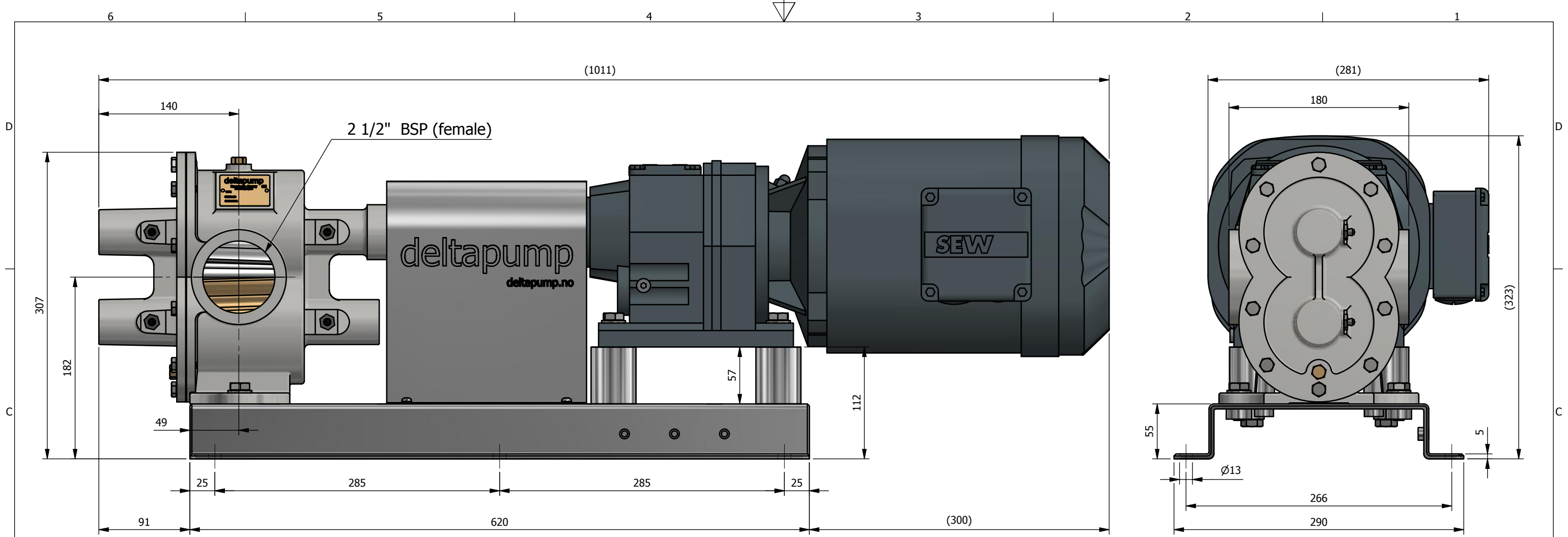
Unless otherwise specified: Dimensions are in MM  
Machining Tolerances are:  
NS-ISO-2768-1-M  
NS-ISO-2768-2-K  
Surface Finish: Ra3.2  
Size: A3 | Do Not Scale

Designed by	Date	Deltapump AS 5537 Haugesund Norway	 <p>SINCE 1878</p> <p>deltapump.no   orgrn: 992 107 626</p>
RSK	13/09/2021	Mass (kg)	
Checked by	Date	82.05 kg	<p>This drawing and the information contained in it are proprietary and the sole property of DELTAPUMP A.S. and any use, reproduction or distribution, in whole or part, without the prior written consent is prohibited.</p>
	13/09/2021	Sheet	
Approved by	Date	1 of 1	
	13/09/2021		

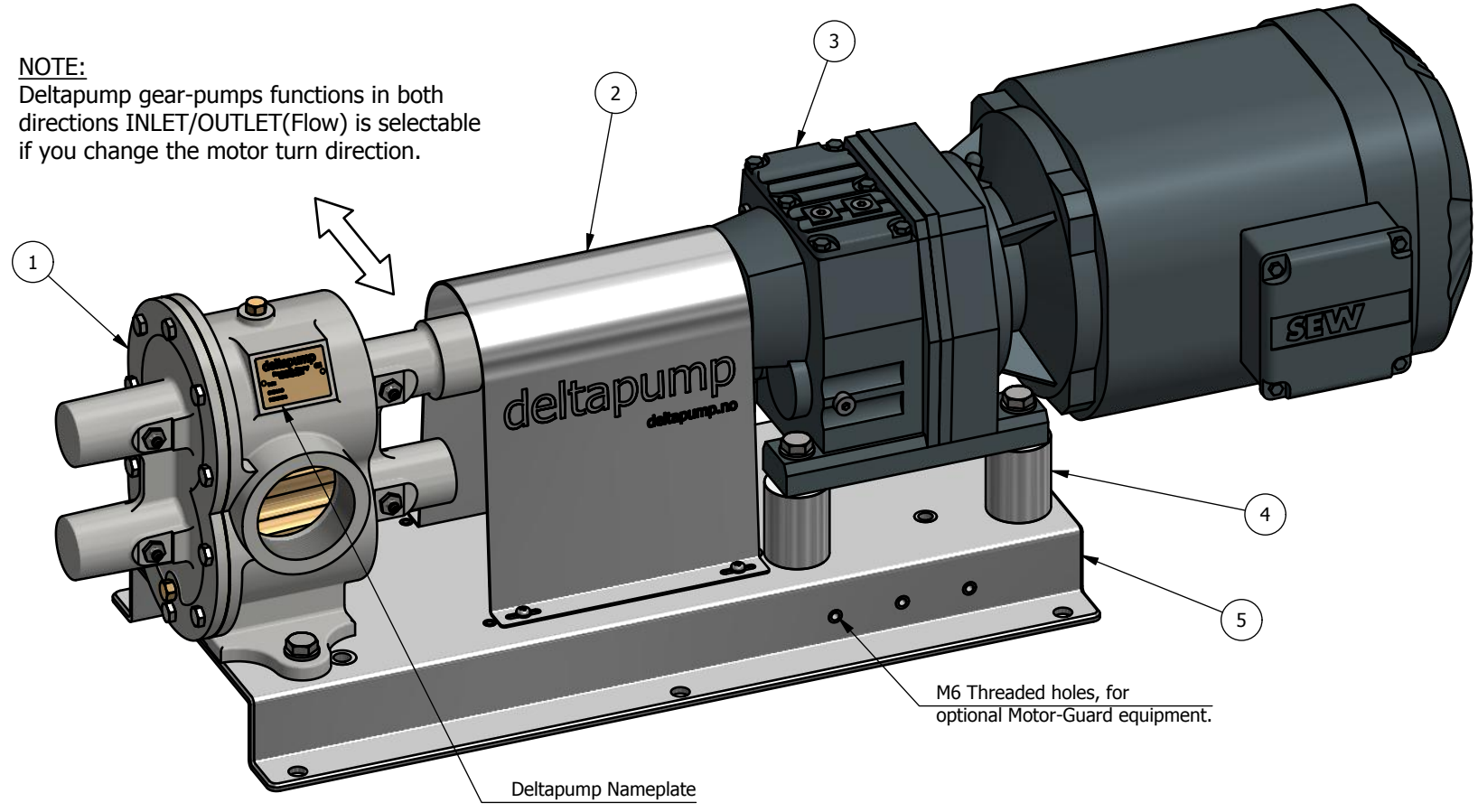
Projection Angle: 

Description:	Stock Number:	Drawing Reference:
Delta 400-212PT R37 - Pump & Motor - OUTLINE	N/A	DP160184 Rev. 0

DELTA PUMP - Reserve "The Right" to change ALL OUTLINE DIMENSIONS without further notice!



**NOTE:**  
Deltapump gear-pumps functions in both directions INLET/OUTLET(Flow) is selectable if you change the motor turn direction.



**NOTES:**  
\* A Name Plate, is mounted on the Pump

ITEM	QTY	STOCK NUMBER	DESCRIPTION	MATERIAL
1	1	4212PT	Delta 400-212PT - Pump ASSY	-
2	1	250725	400-200/212PT R37/R47 - Protection Cover	AISI 316, Stainless Steel
3	1	N/A	Electric Motor SEW R47 - Size 112	Cast iron/Alu
4	4	251594	400-200/212PT R47 - Spacer for Base plate	AISI 316, Stainless Steel
5	1	250717	400-200/212PT R37/R47 - Base Plate 5mm	AISI 316, Stainless Steel

Material: -

Unless otherwise specified:  
Dimensions are in MM  
Machining Tolerances are:  
NS-ISO-2768-1-M  
NS-ISO-2768-2-K  
Surface Finish: Ra3.2  
Size: A3 | Do Not Scale

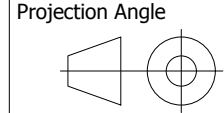
Designed by	Date	Deltapump AS 5537 Haugesund Norway
RSK	13/09/2021	
Checked by	Date	Mass (kg)
	13/09/2021	99.48 kg
Approved by	Date	Sheet
	13/09/2021	1 of 1

SINCE 1878

# deltapump

[deltapump.no](http://deltapump.no) | orgrnr: 992 107 626

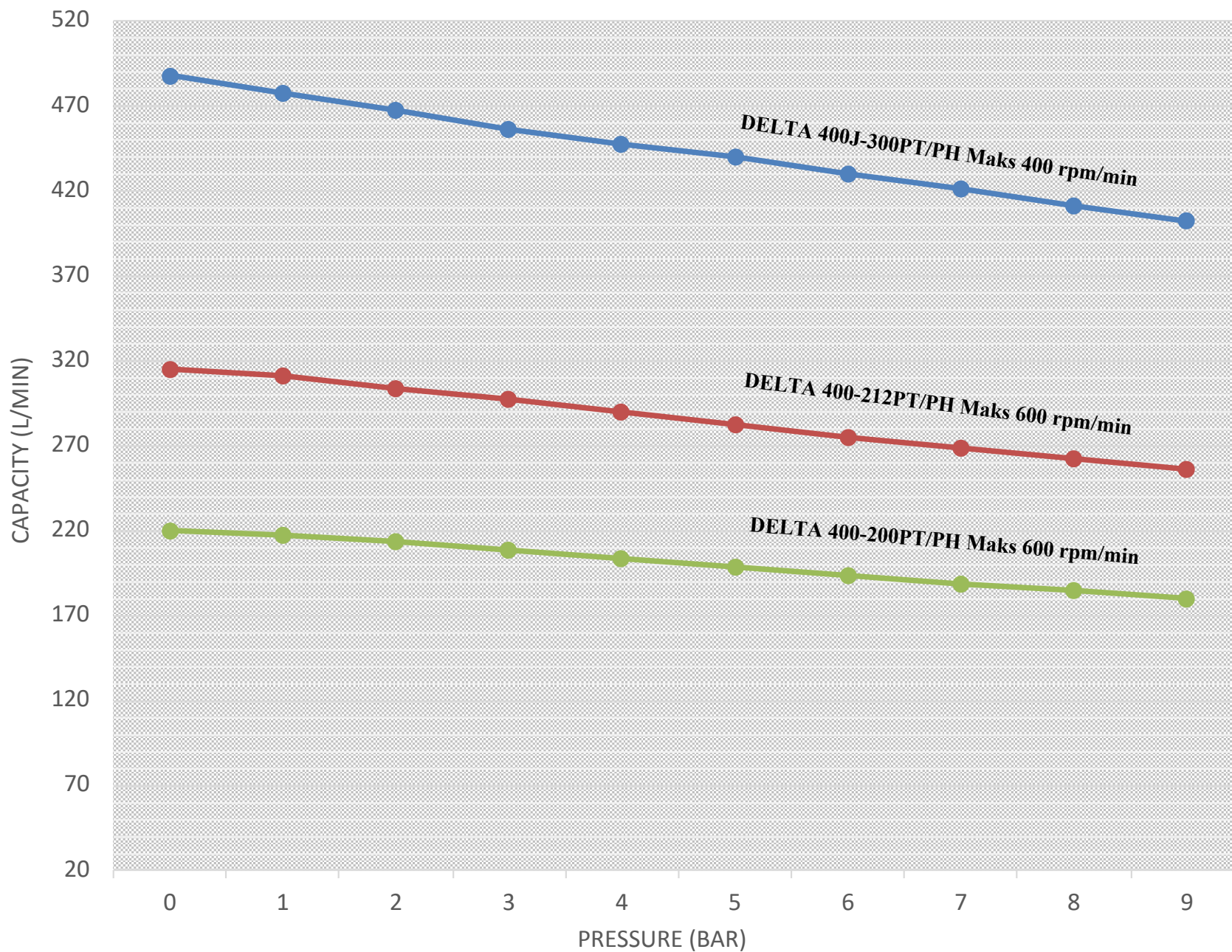
This drawing and the information contained in it are proprietary and the sole property of DELTAPUMP A.S. and any use, reproduction or distribution, in whole or part, without the prior written consent is prohibited.



Description:	Stock Number:	Drawing Reference:
Delta 400-212PT R47 - Pump & Motor - OUTLINE	N/A	DP160425 Rev. 0

DELTA PUMP - Reserve "The Right" to change ALL OUTLINE DIMENSIONS without further notice!

# Pump Characteristics DELTA 400-serien



deltapump  
SINCE 1878