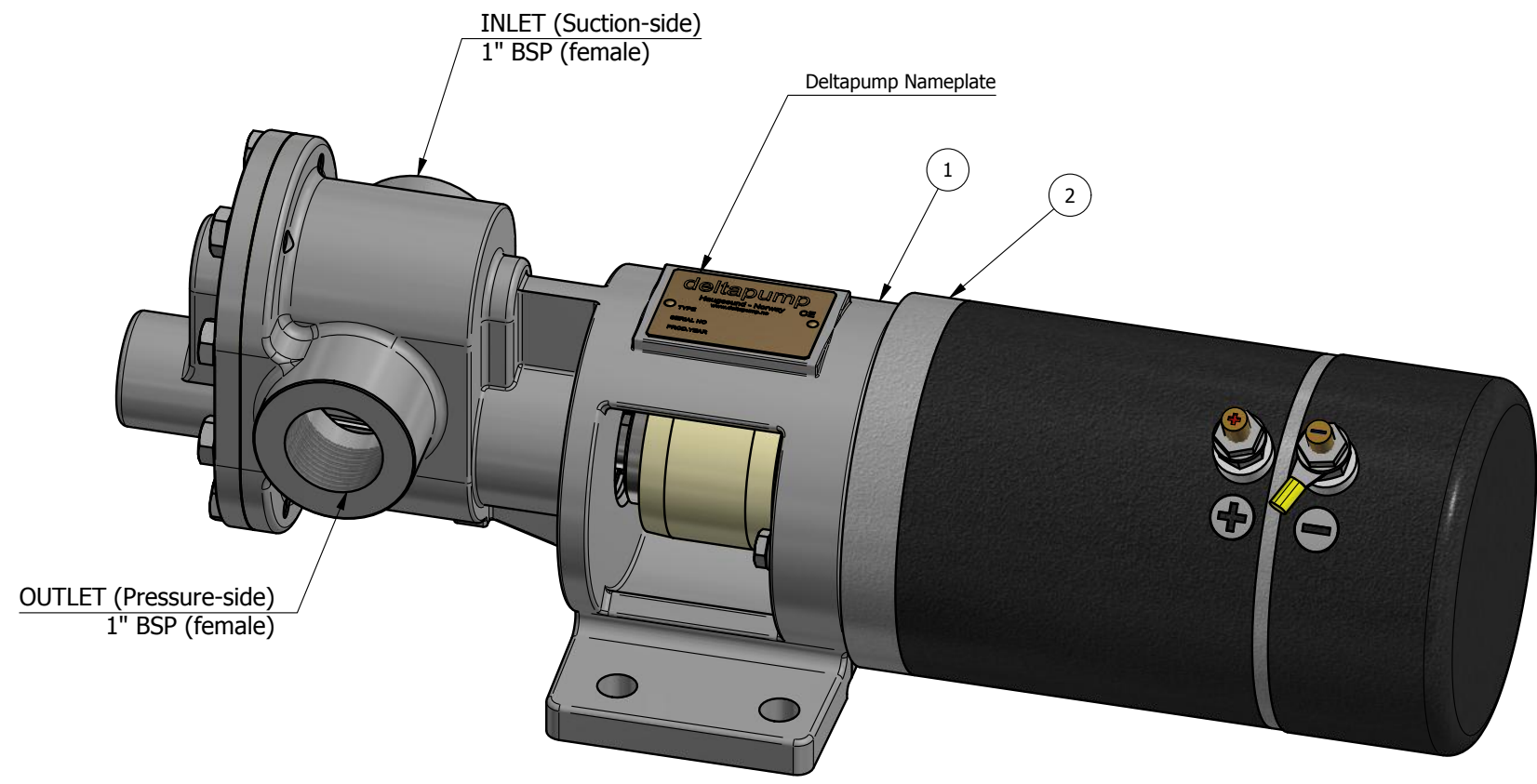
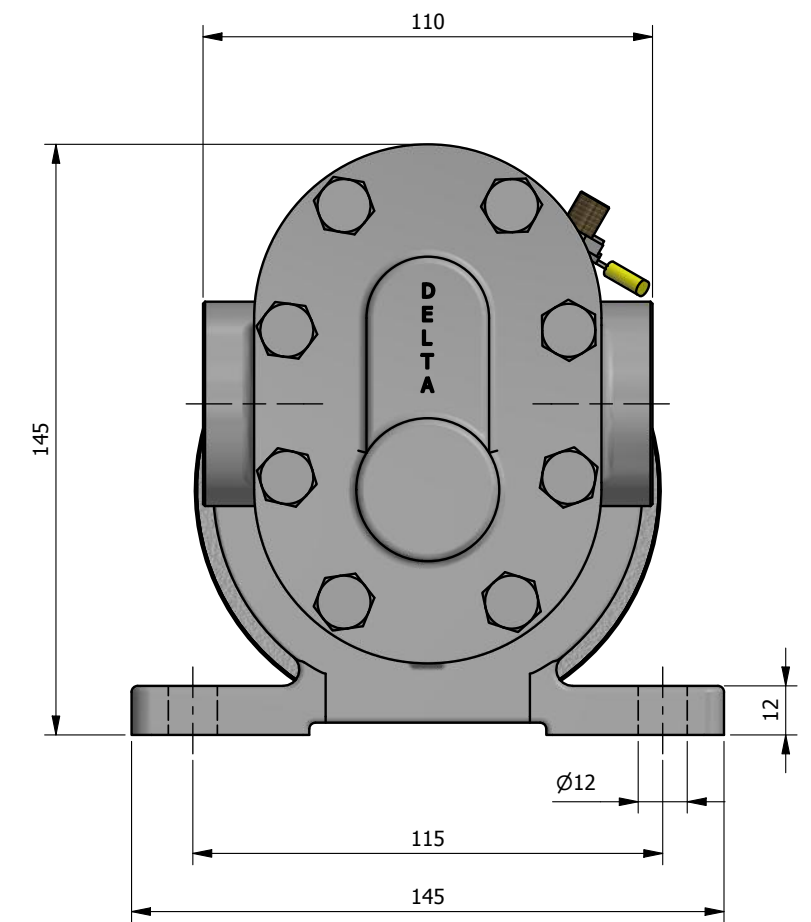
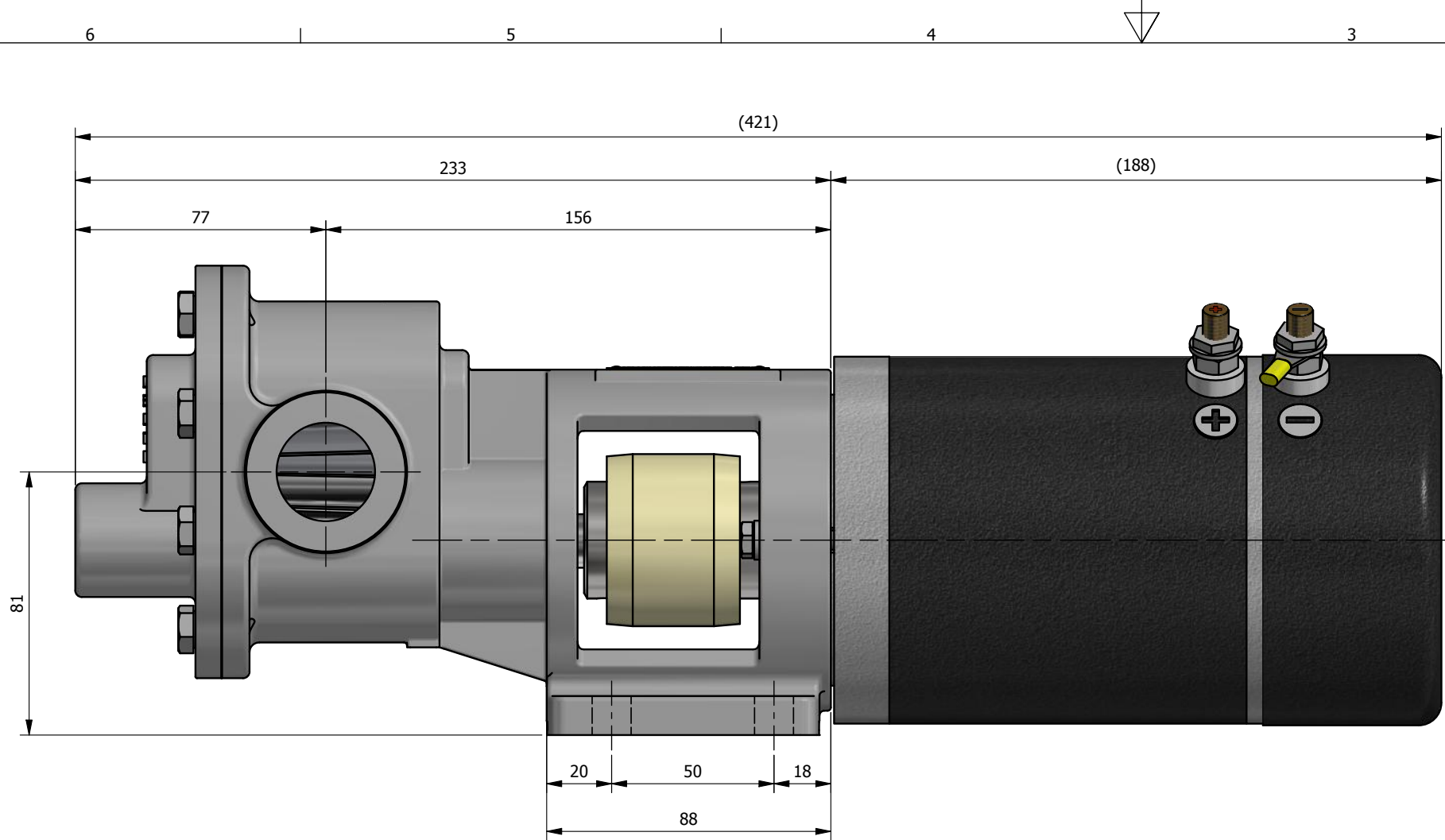


NOTES:

* A Name Plate, is mounted on the Pump

Material: -				SINCE 1878	
Unless otherwise specified: Dimensions are in MM Machining Tolerances are: NS-ISO-2768-1-M NS-ISO-2768-2-K Surface Finish: Ra3.2 Size: A3 Do Not Scale	Designed by	Date	Deltapump AS 5537 Haugesund Norway	deltapump deltapump.no orgnr: 992 107 626	
	RSK	16/11/2020	Mass (kg)		
	Checked by	Date	6.58 kg	This drawing and the information contained in it are proprietary and the sole property of DELTAPUMP A.S. and any use, reproduction or distribution, in whole or part, without the prior written consent is prohibited.	
	16/11/2020	Sheet	1 of 1		
Approved by	Date	16/11/2020	Description:		
Projection Angle			Delta 595A - Pump ASSY - OUTLINE		Stock Number: 9-595A
					Drawing Reference: DP160066
					Rev. 0

DELTA PUMP - Reserve "The Right" to change ALL OUTLINE DIMENSIONS without further notice!



DELTA 595A 24V

Flow rate:	120l/min
Hose dimension, inlet/outlet:	1" BSP (female)
Suction height:	3-4 meters
Rated power:	0,84kW
Rated voltage:	24V DC
Rated current:	47A
Rated Speed:	2500 rpm
Operation mode:	MAX 12min
Protection class:	IP44
Rotation:	CW
Weight:	14kg (w/ motor)

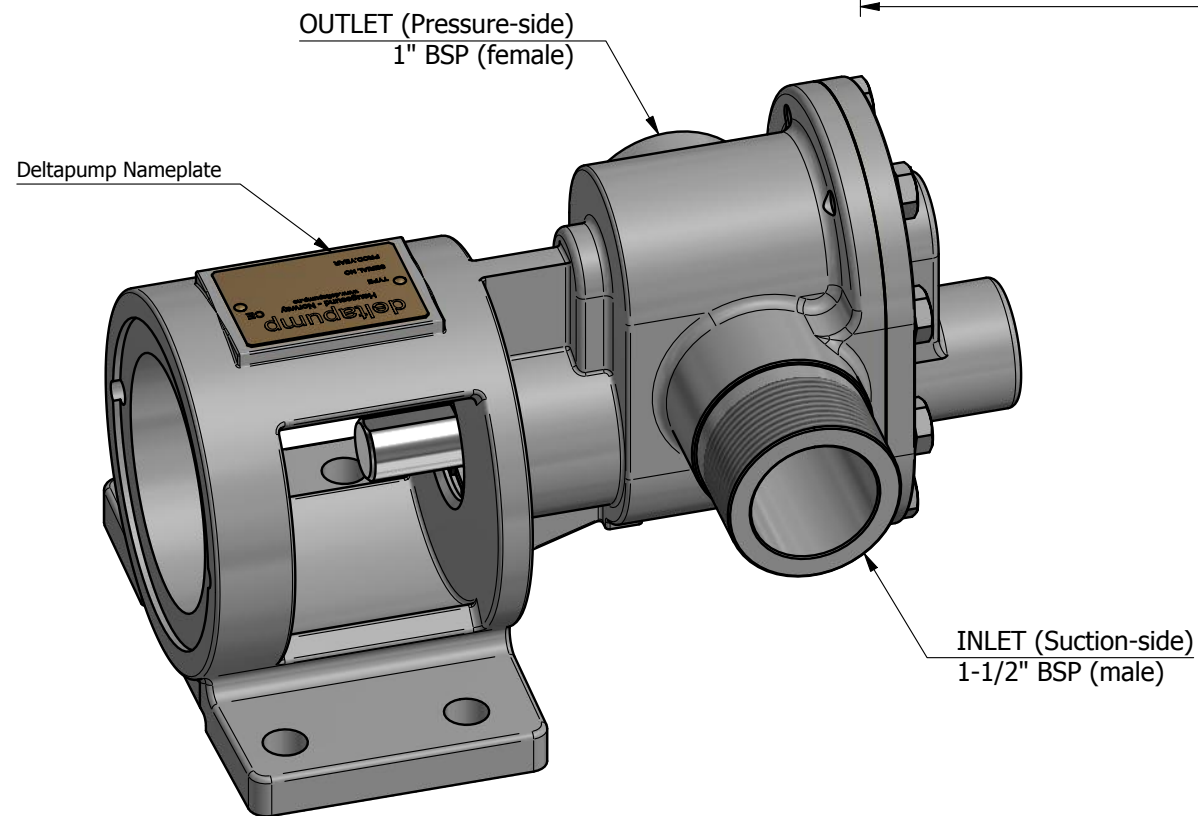
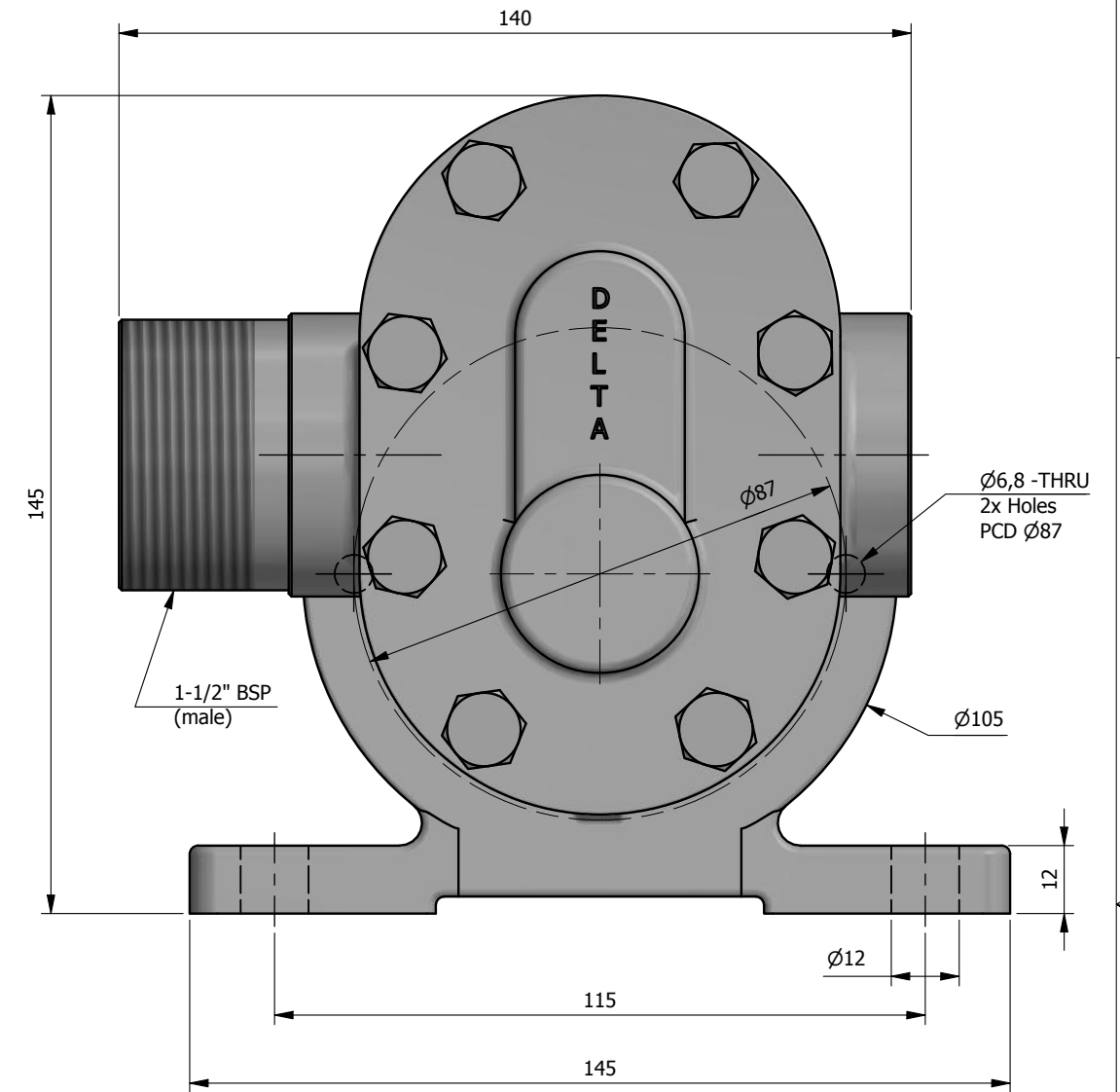
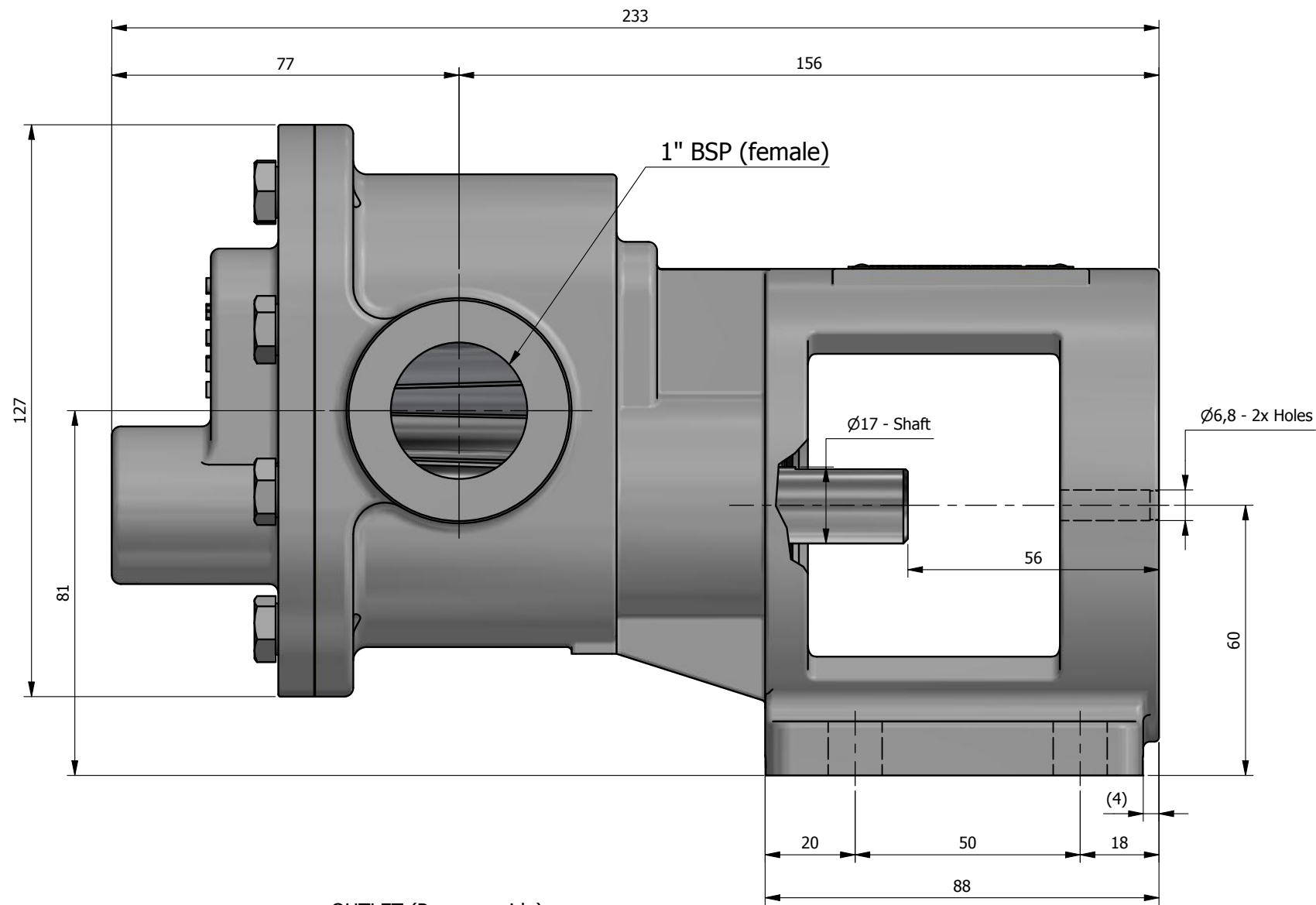
ITEM	QTY	STOCK NUMBER	DESCRIPTION	MATERIAL
1	1	9-595A-24V	Delta 595A - Pump ASSY	-
2	1	250671	DC Motor 0,84 kW 24V 2500 rpm	Alu/Copper

Material: -			
Unless otherwise specified: Dimensions are in MM Machining Tolerances are: NS-ISO-2768-1-M NS-ISO-2768-2-K Surface Finish: Ra3.2 Size: A3 Do Not Scale	Designed by	Date	Deltapump AS 5537 Haugesund Norway
	Checked by	Date	Mass (kg)
	Approved by	Date	Sheet
Projection Angle			1 of 1



Description: Delta 595A - Pump & 24V Motor - OUTLINE	Stock Number: 9-595A-24V	Drawing Reference: DP160068	Rev. 0
---	-----------------------------	--------------------------------	--------

DELTA PUMP - Reserve "The Right" to change ALL OUTLINE DIMENSIONS without further notice!

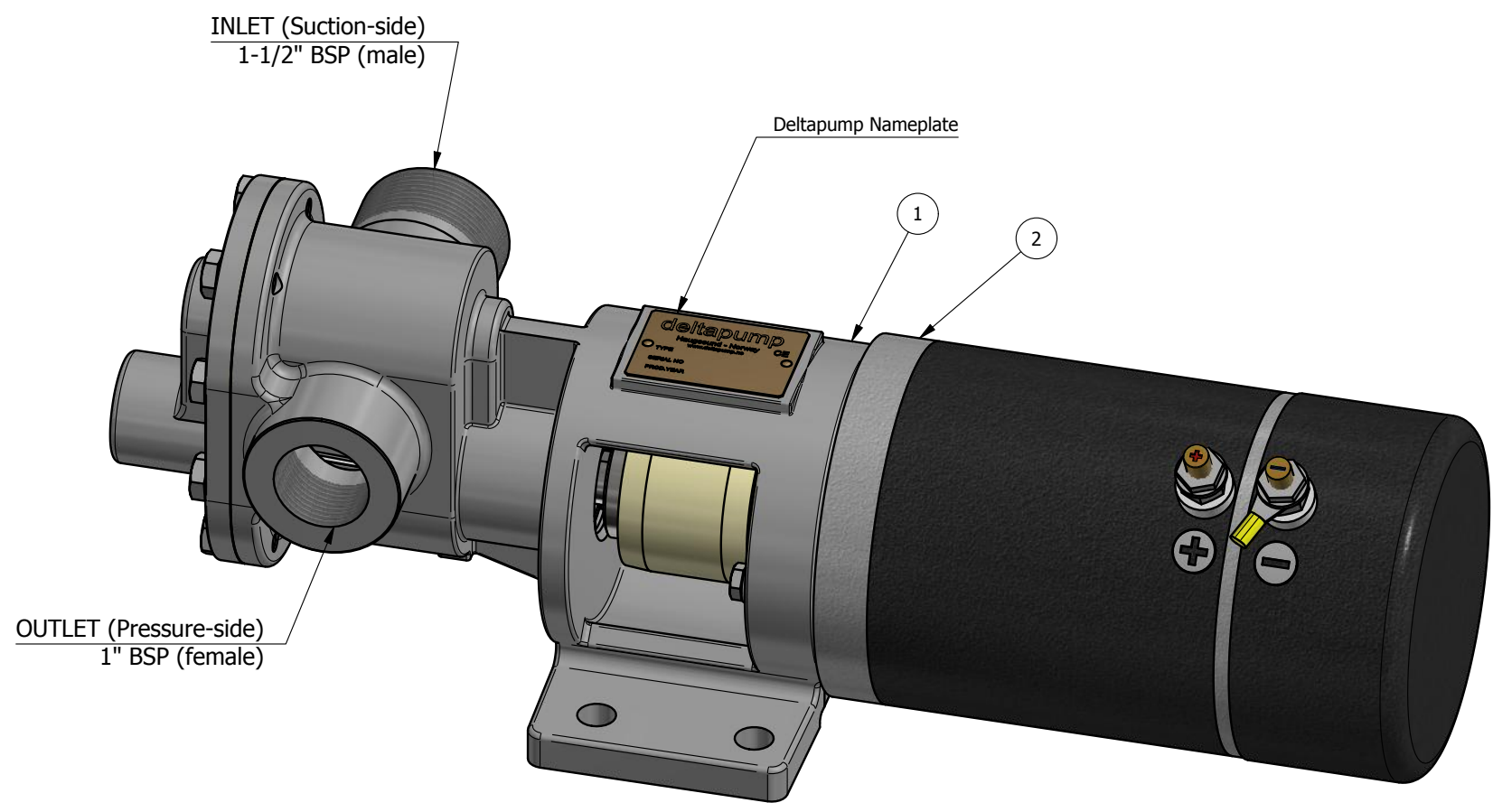
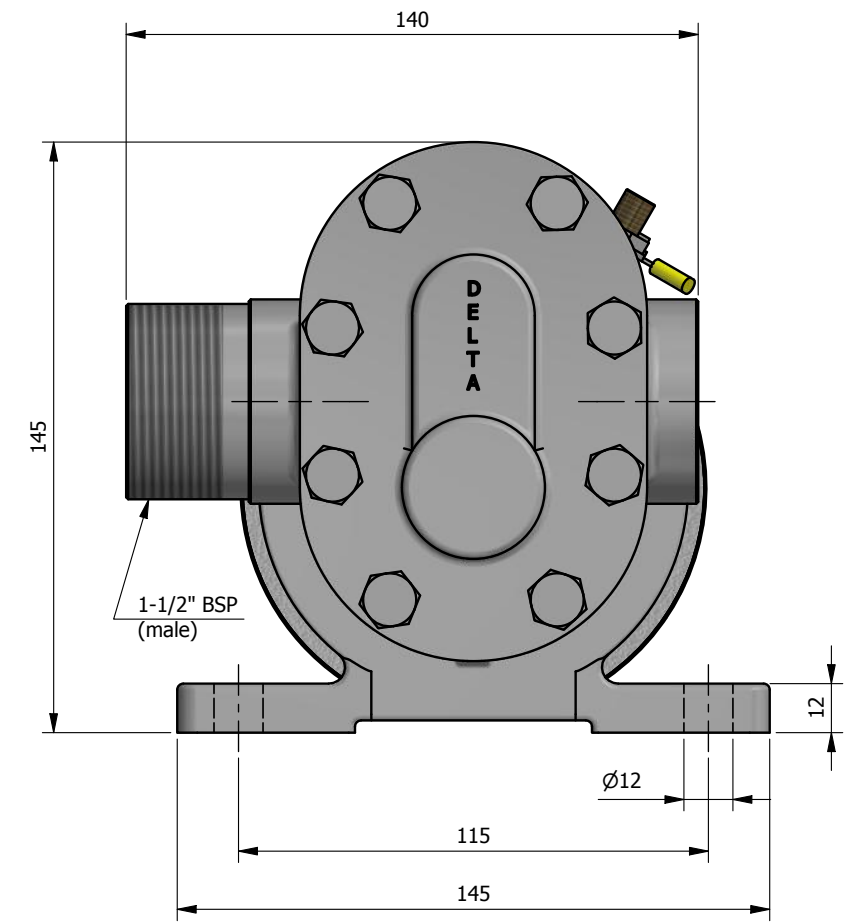
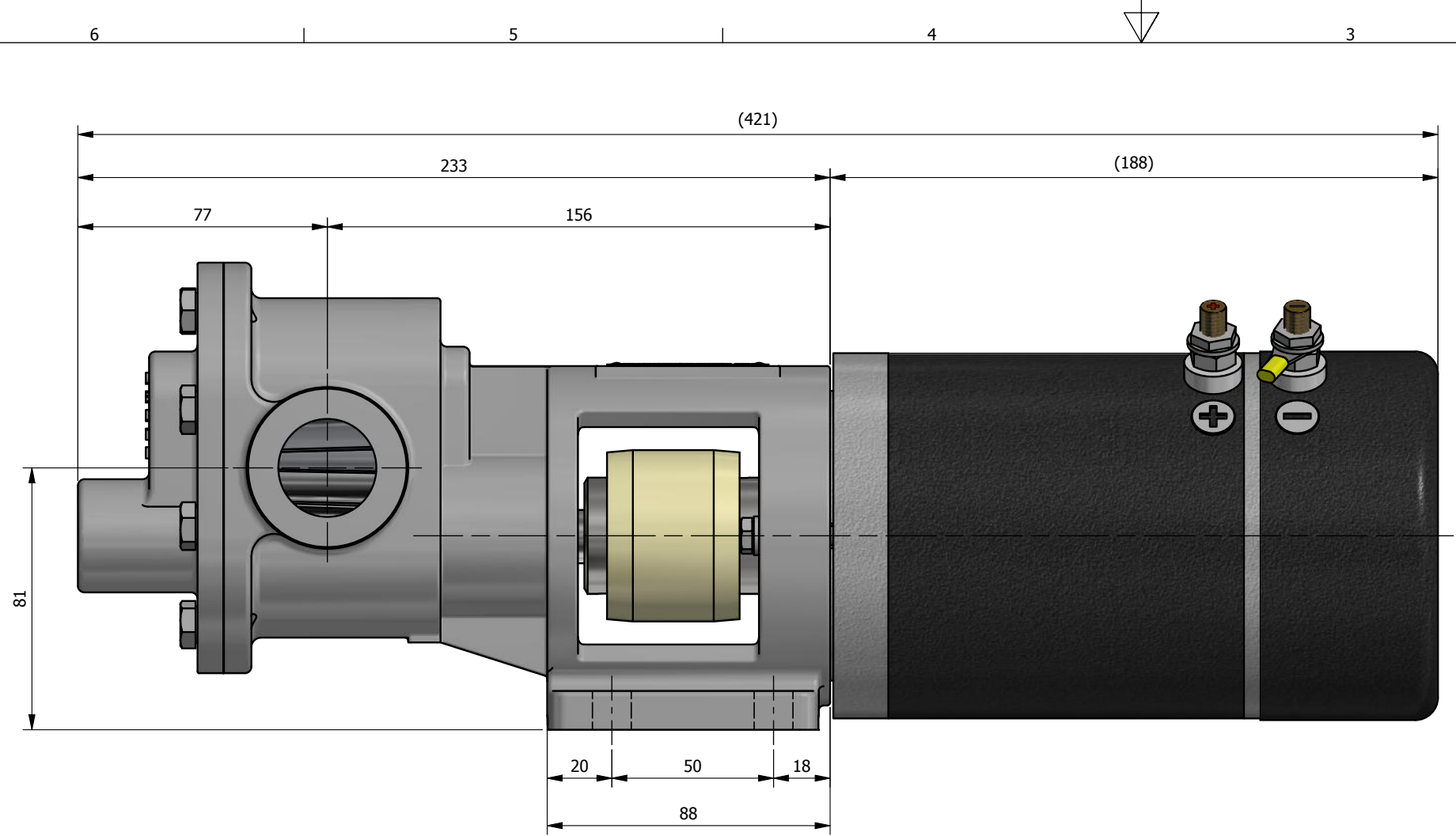


NOTES:

* A Name Plate, is mounted on the Pump

Material: -		Designed by		Date	Deltapump AS	SINCE 1878 deltapump deltapump.no orgnr: 992 107 626
Unless otherwise specified: Dimensions are in MM Machining Tolerances are: NS-ISO-2768-1-M NS-ISO-2768-2-K Surface Finish: Ra3.2 Size: A3 Do Not Scale		RSK	17/11/2020	17/11/2020	5537 Haugesund Norway	
Projection Angle		Checked by	Date	17/11/2020	Mass (kg)	This drawing and the information contained in it are proprietary and the sole property of DELTAPUMP A.S. and any use, reproduction or distribution, in whole or part, without the prior written consent is prohibited.
		Approved by	Date	17/11/2020	6.68 kg	
Description:		Stock Number:		Drawing Reference:		Rev. 0
Delta 595B - Pump ASSY - OUTLINE		9-595B		DP160067		


DELTA PUMP - Reserve "The Right" to change ALL OUTLINE DIMENSIONS without further notice!



DELTA 595B 24V

Flow rate: 150l/min
 Hose dimension, inlet: 1-1/2" BSP (male)
 Hose dimension, outlet: 1" BSP (female)
 Suction height: 3-4 meters
 Rated power: 0,84kW
 Rated voltage: 24V DC
 Rated current: 47A
 Rated Speed: 2500 rpm
 Operation mode: MAX 12min
 Protection class: IP44
 Rotation: CW
 Weight: 14kg (w/ motor)

ITEM	QTY	STOCK NUMBER	DESCRIPTION	MATERIAL
1	1	9-595B-24V	Delta 595B - Pump ASSY	-
2	1	250671	DC Motor 0,84 kW 24V 2500 rpm	Alu/Copper

Material: -		Designed by		Date	Deltapump AS	SINCE 1878
Unless otherwise specified: Dimensions are in MM		RSK	17/11/2020	17/11/2020	5537 Haugesund Norway	
Machining Tolerances are: NS-ISO-2768-1-M NS-ISO-2768-2-K Surface Finish: Ra3.2 Size: A3 Do Not Scale		Checked by	Date	17/11/2020	14.75 kg	 deltapump.no orgnr: 992 107 626
Projection Angle		Approved by	Date	17/11/2020	1 of 1	

Description:	Stock Number:	Drawing Reference:
Delta 595B - Pump & 24V Motor - OUTLINE	9-595B-24V	DP160069 Rev. 0

DELTA PUMP - Reserve "The Right" to change ALL OUTLINE DIMENSIONS without further notice!