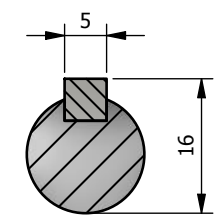




Notes
 Keyway dimensions:
 Length : 20mm
 Width : 5mm



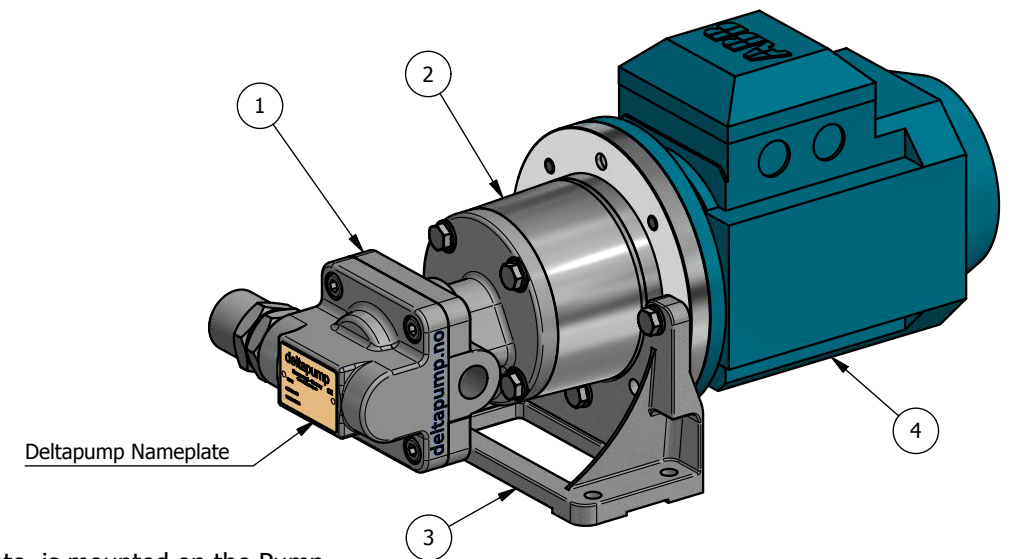
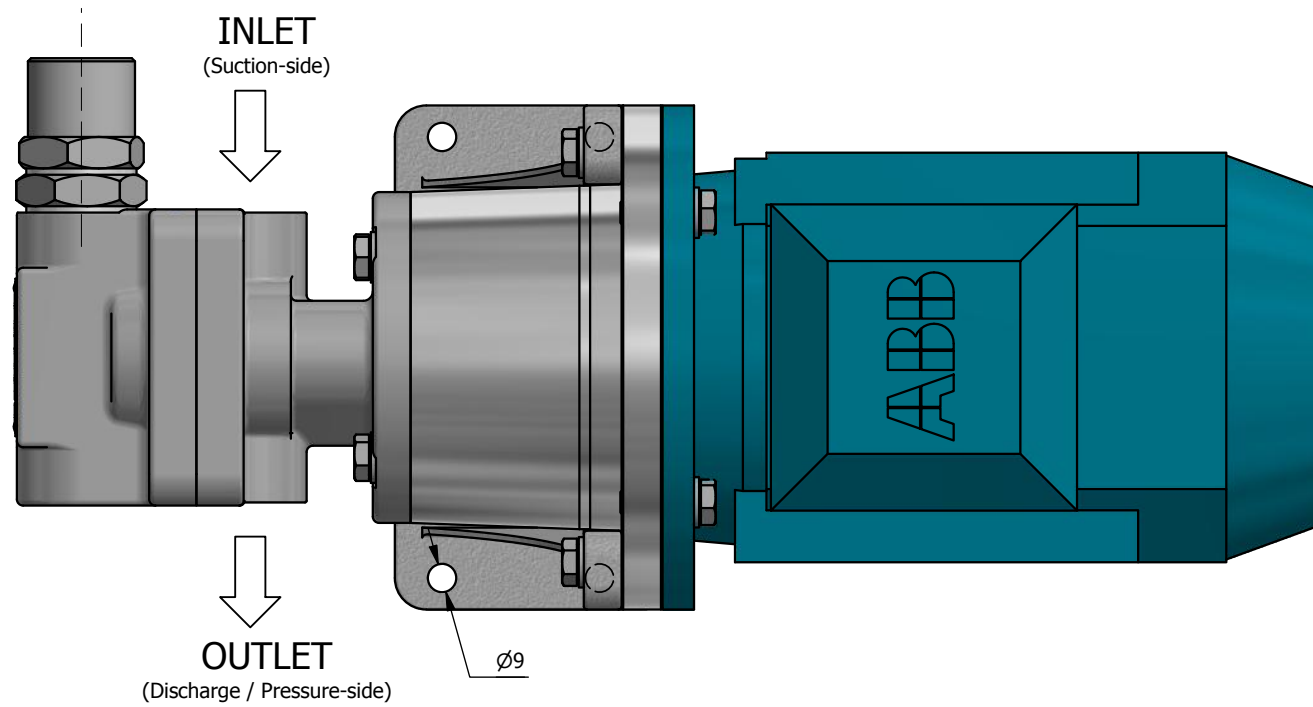
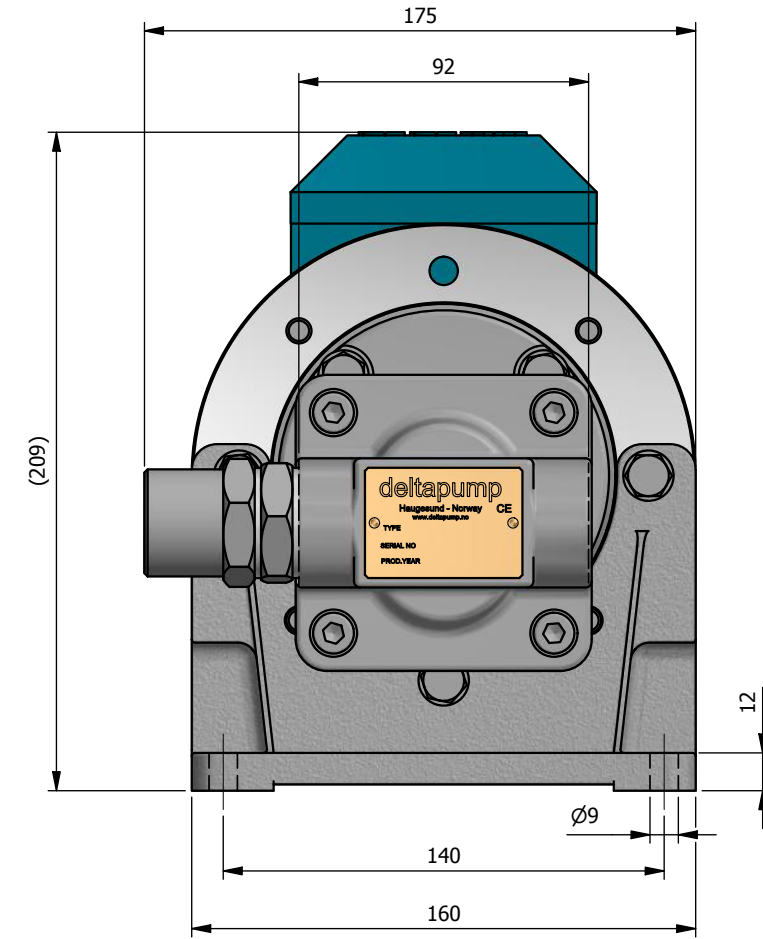
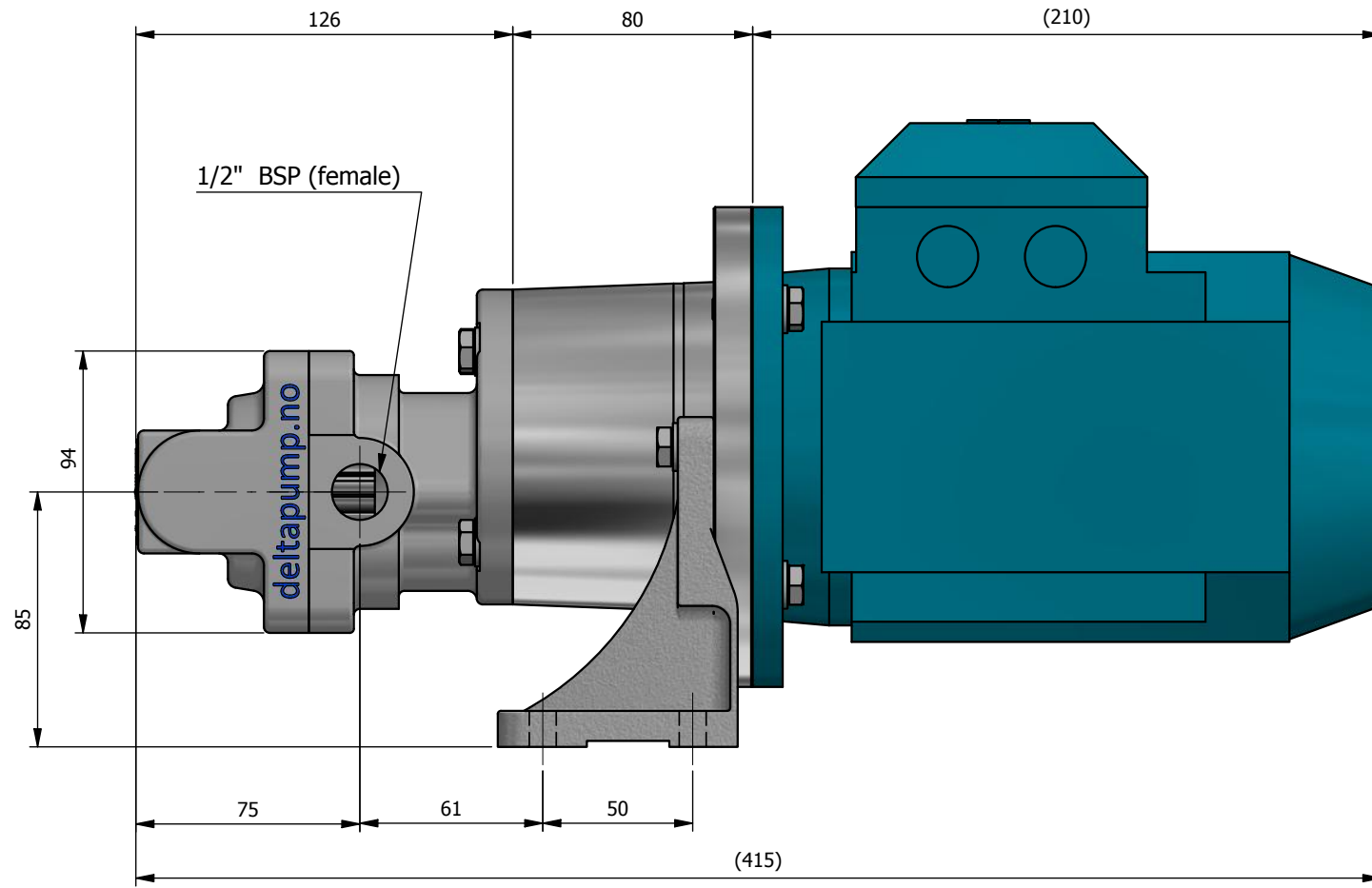
Section B-B

NOTES:

* A Name Plate, is mounted on the Pump

Material: -			 SINCE 1878 deltapump.no orgnr: 992 107 626
Unless otherwise specified: Dimensions are in MM Machining Tolerances are: NS-ISO-2768-1-M NS-ISO-2768-2-K Surface Finish: Ra3.2 Size: A3 Do Not Scale	Designed by RSK	Date 02/11/2020	
	Checked by 	Date 02/11/2020	Mass (kg) 4.72 kg
	Approved by 	Date 02/11/2020	Sheet 1 of 1
Projection Angle 	Description: Delta 596X - Pump ASSY - OUTLINE		Stock Number: 255195
			Drawing Reference: DP160012 Rev. 0

DELTA PUMP - Reserve "The Right" to change ALL OUTLINE DIMENSIONS without further notice!



NOTES:

* A Name Plate, is mounted on the Pump

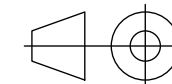
ITEM	QTY	STOCK NUMBER	DESCRIPTION	MATERIAL
1	1	255195	Delta 596X - Pump ASSY	-
2	1	255236	Belhousing	Aluminum
3	1	255237	Foot Flange	Aluminum
4	1	N/A	Electric Motor - Size 71 -B5	Alu./copper

Material: -

Unless otherwise specified:
 Dimensions are in MM
 Machining Tolerances are:
 NS-ISO-2768-1-M
 NS-ISO-2768-2-K
 Surface Finish: Ra3.2
 Size: A3 | Do Not Scale

Designed by	Date	Deltapump AS 5537 Haugesund Norway
RSK	28/10/2020	
Checked by	Date	Mass (kg)
	28/10/2020	12.87 kg
Approved by	Date	Sheet
	28/10/2020	1 of 1

Projection Angle



Description:	Stock Number:	Drawing Reference:
Delta 596X - Pump & Motor - OUTLINE 71 MOTOR	N/A	DP160011

SINCE 1878
deltapump

deltapump.no | orgnr: 992 107 626

This drawing and the information contained in it are proprietary and the sole property of DELTAPUMP A.S. and any use, reproduction or distribution, in whole or part, without the prior written consent is prohibited.

Rev. 0

DELTA PUMP - Reserve "The Right" to change ALL OUTLINE DIMENSIONS without further notice!

Pump Characteristics DELTA 596X

