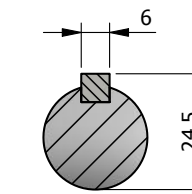
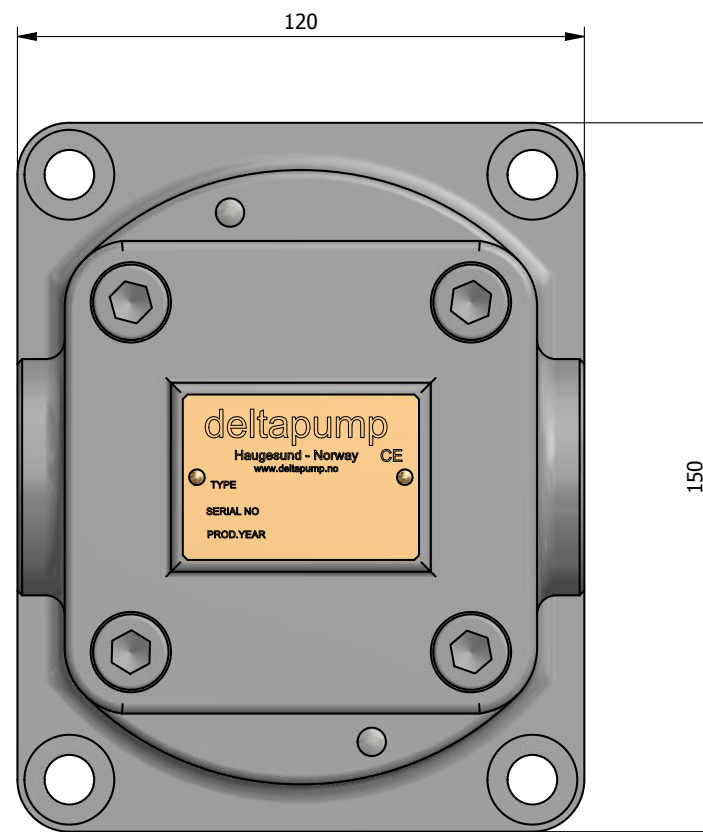


1" BSP (female)

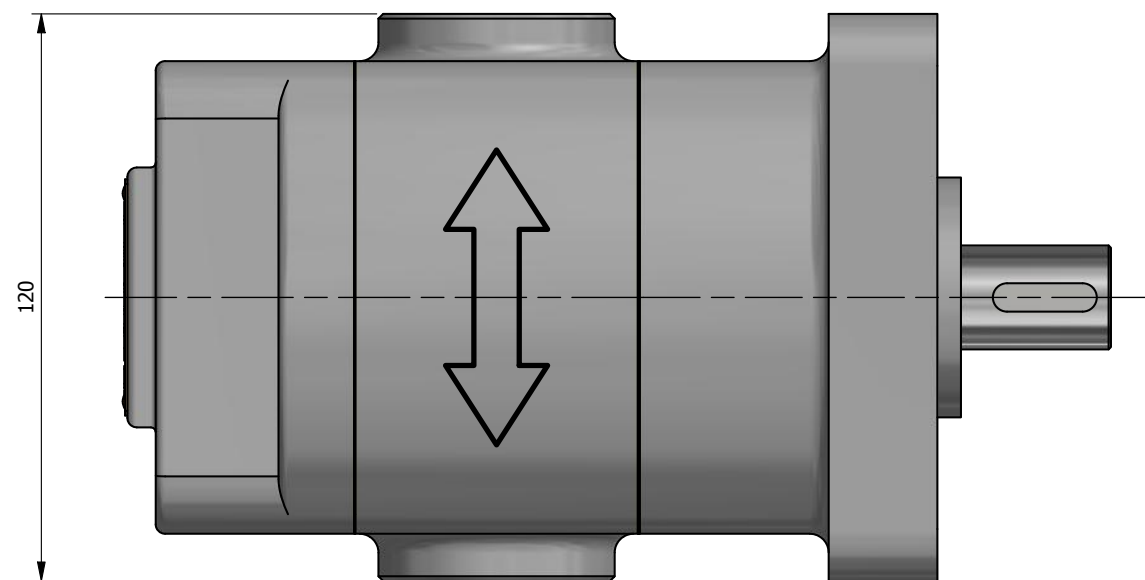
Keyway dim:  
- See Notes



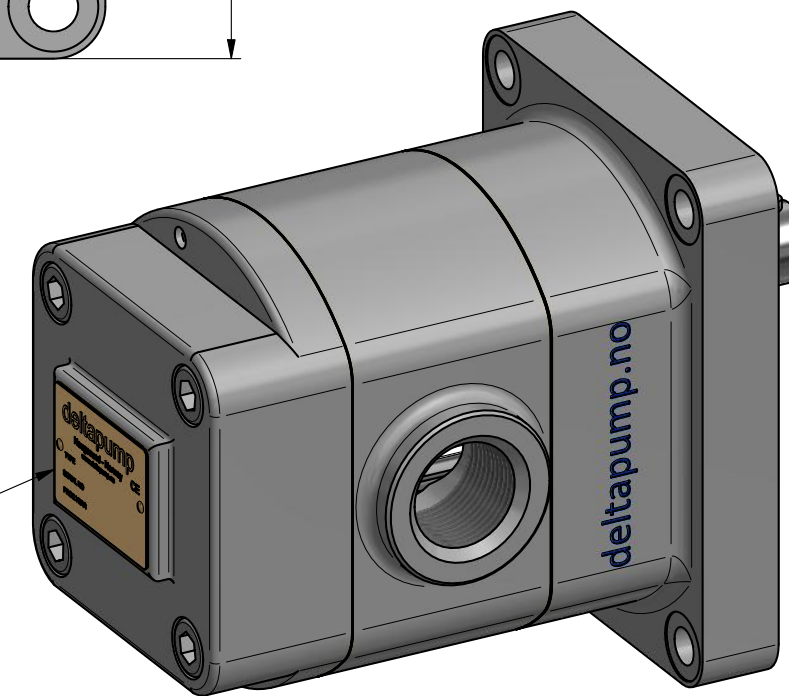
Section A-A

**Notes**  
Keyway dimensions:  
Length : 22mm  
Width : 6mm

**NOTE:**  
Deltapump gear-pumps functions in both directions  
INLET/OUTLET(Flow) is selectable if you change the motor turn direction.



Deltapump Nameplate



**NOTES:**

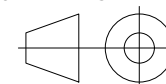
\* A Name Plate, is mounted on the Pump

Material: -

Unless otherwise specified:  
Dimensions are in MM  
Machining Tolerances are:  
NS-ISO-2768-1-M  
NS-ISO-2768-2-K  
Surface Finish: Ra3.2  
Size: A3 | Do Not Scale

Designed by	Date	Deltapump AS 5537 Haugesund Norway
RSK	12/10/2020	
Checked by	Date	Mass (kg)
	12/10/2020	13.03 kg
Approved by	Date	Sheet
	12/10/2020	1 of 1

Projection Angle



Description:  
Delta 599A - Pump ASSY - OUTLINE

Stock Number: 255452  
Drawing Reference: DP160052  
Rev. 0

SINCE 1878  
**deltapump**

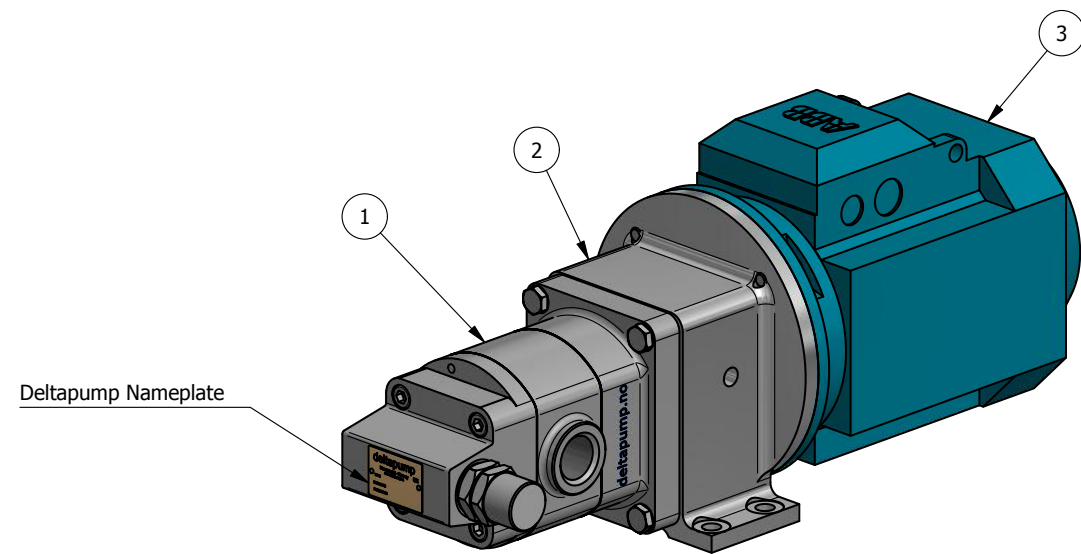
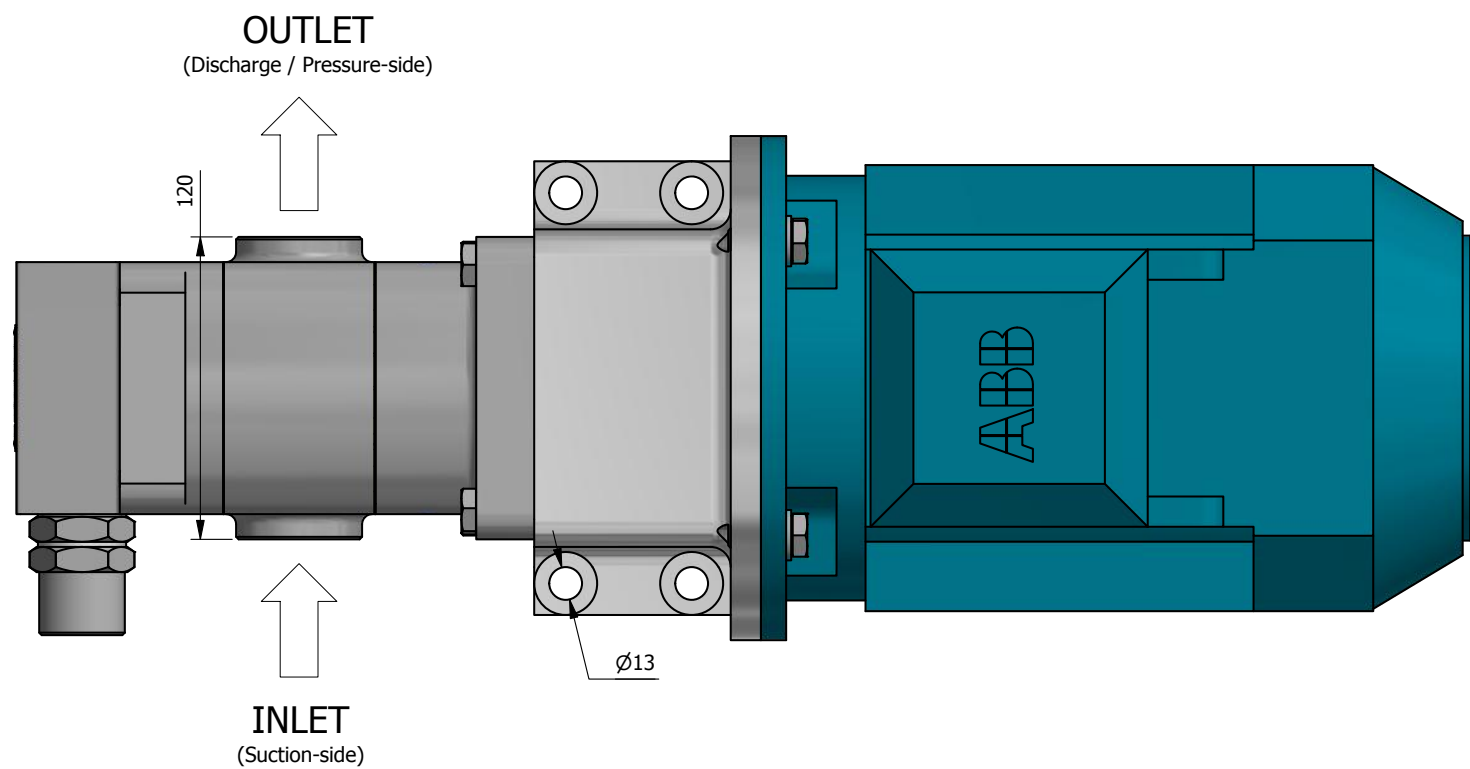
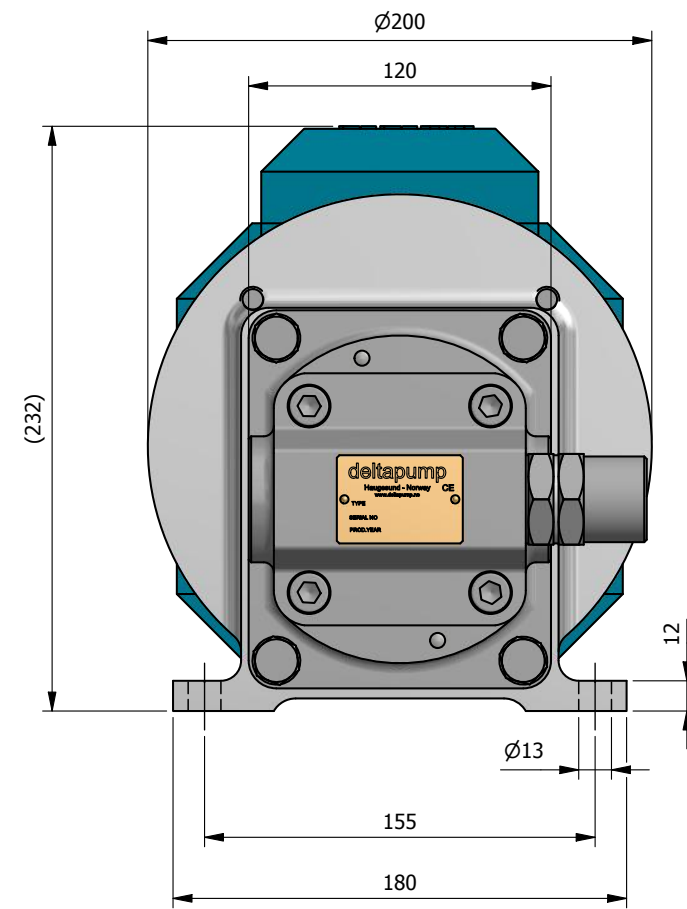
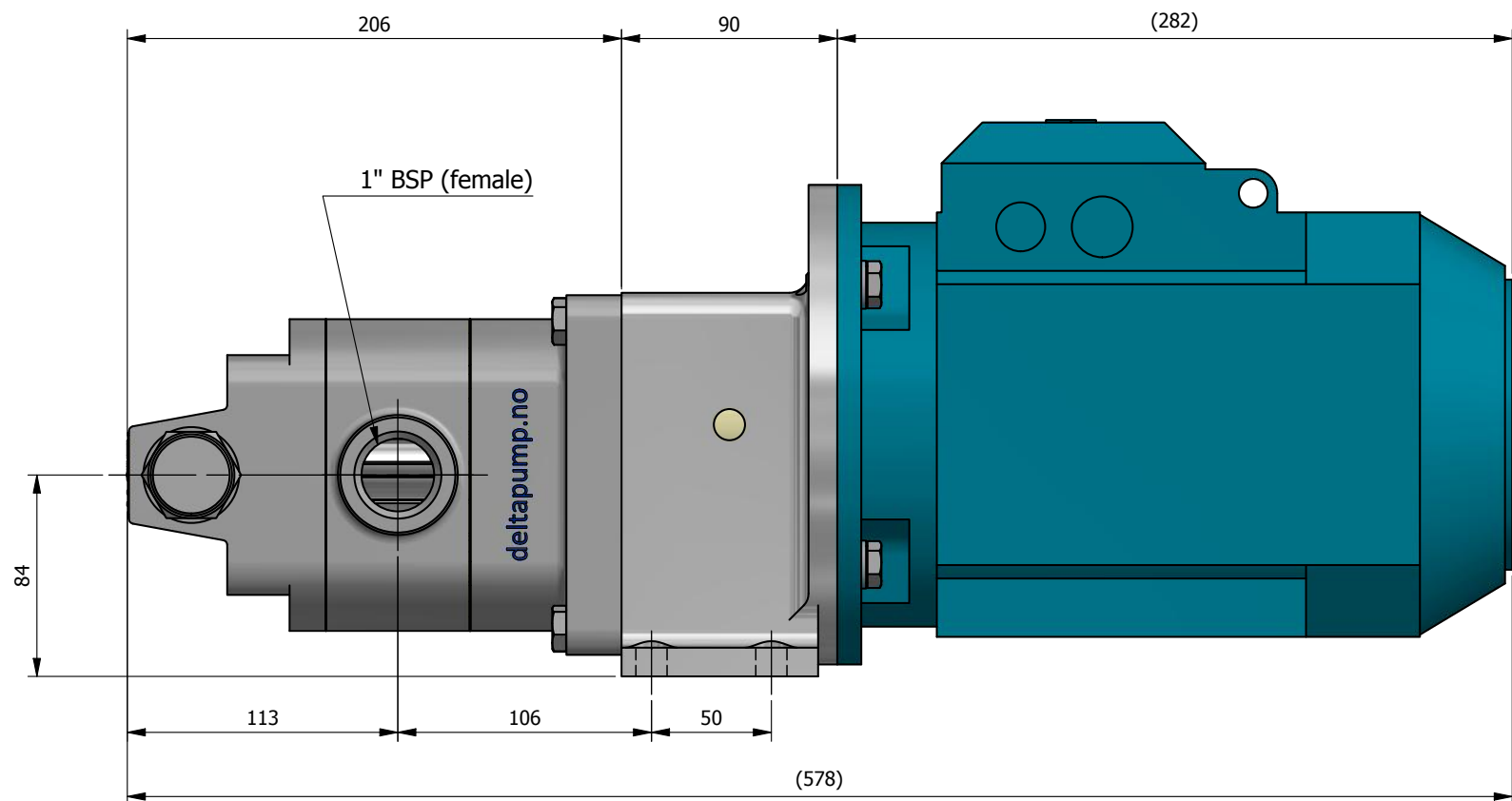
[deltapump.no](http://deltapump.no) | orgnr: 992 107 626

This drawing and the information contained in it are proprietary and the sole property of DELTAPUMP A.S. and any use, reproduction or distribution, in whole or part, without the prior written consent is prohibited.

DELTA PUMP - Reserve "The Right" to change ALL OUTLINE DIMENSIONS without further notice!







**NOTES:**

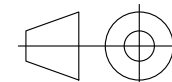
\* A Name Plate, is mounted on the Pump

ITEM	QTY	STOCK NUMBER	DESCRIPTION	MATERIAL
1	1	9-599AX	Delta 599AX - Pump ASSY	-
2	1	251012	599A/599AX - Bracket	Aluminium, 6082
3	1	N/A	Electric motor - Size 90 -B5	Alu/copper

**Material:**

Unless otherwise specified:  
 Dimensions are in MM  
 Machining Tolerances are:  
 NS-ISO-2768-1-M  
 NS-ISO-2768-2-K  
 Surface Finish: Ra3.2  
 Size: A3 | Do Not Scale

Designed by	Date	Deltapump AS 5537 Haugesund Norway
RSK	12/10/2020	
Checked by	Date	Mass (kg)
	12/10/2020	37.10 kg
Approved by	Date	Sheet
	12/10/2020	1 of 1



Description:	Stock Number:	Drawing Reference:
Delta 599AX - Pump & Motor - OUTLINE 90 Motor	N/A	DP160050
		Rev. 0

SINCE 1878

# deltapump

deltapump.no | orgnr: 992 107 626

This drawing and the information contained in it are proprietary and the sole property of DELTAPUMP A.S. and any use, reproduction or distribution, in whole or part, without the prior written consent is prohibited.

# Pump Characteristics DELTA 599A(X)

