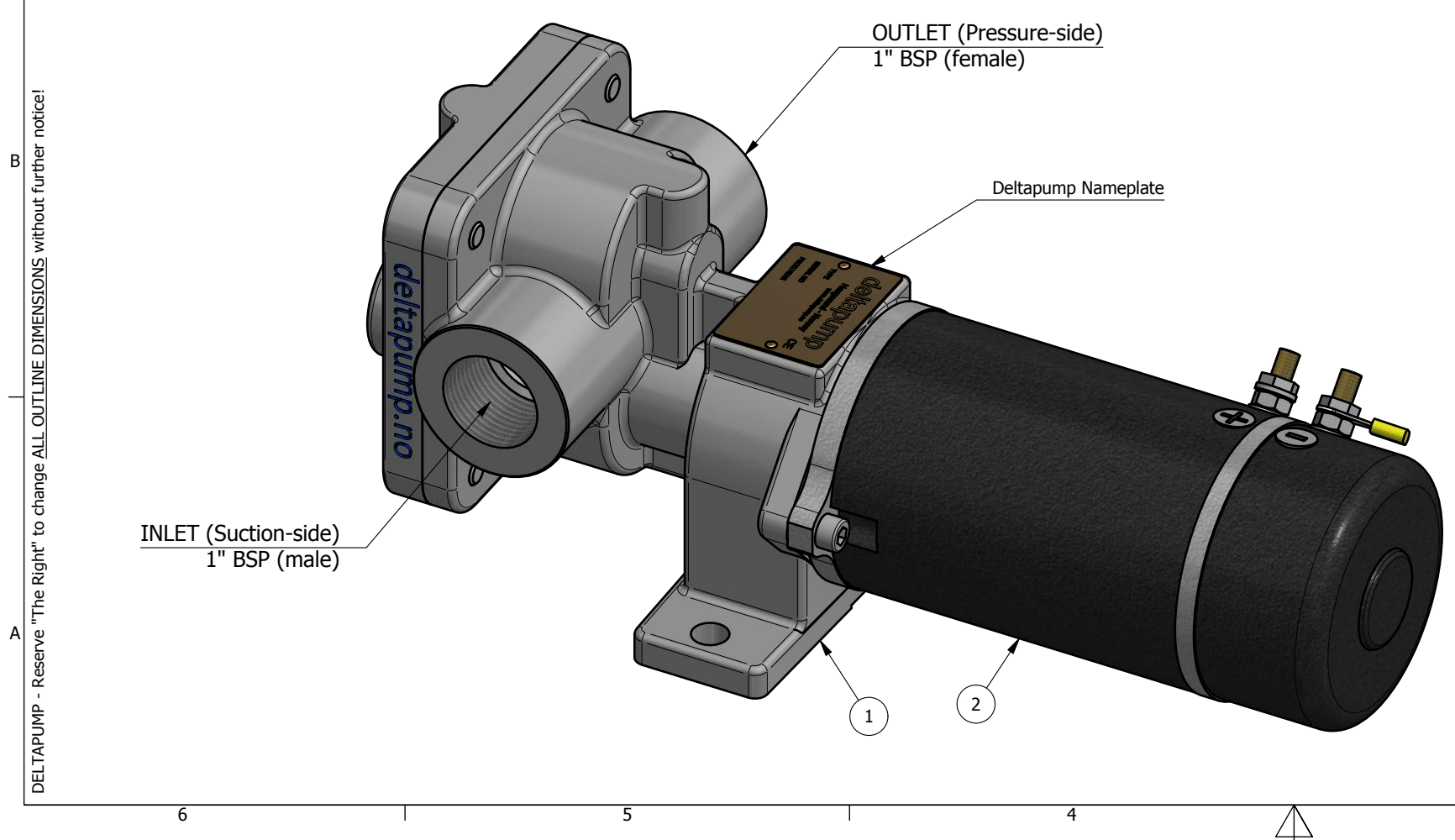
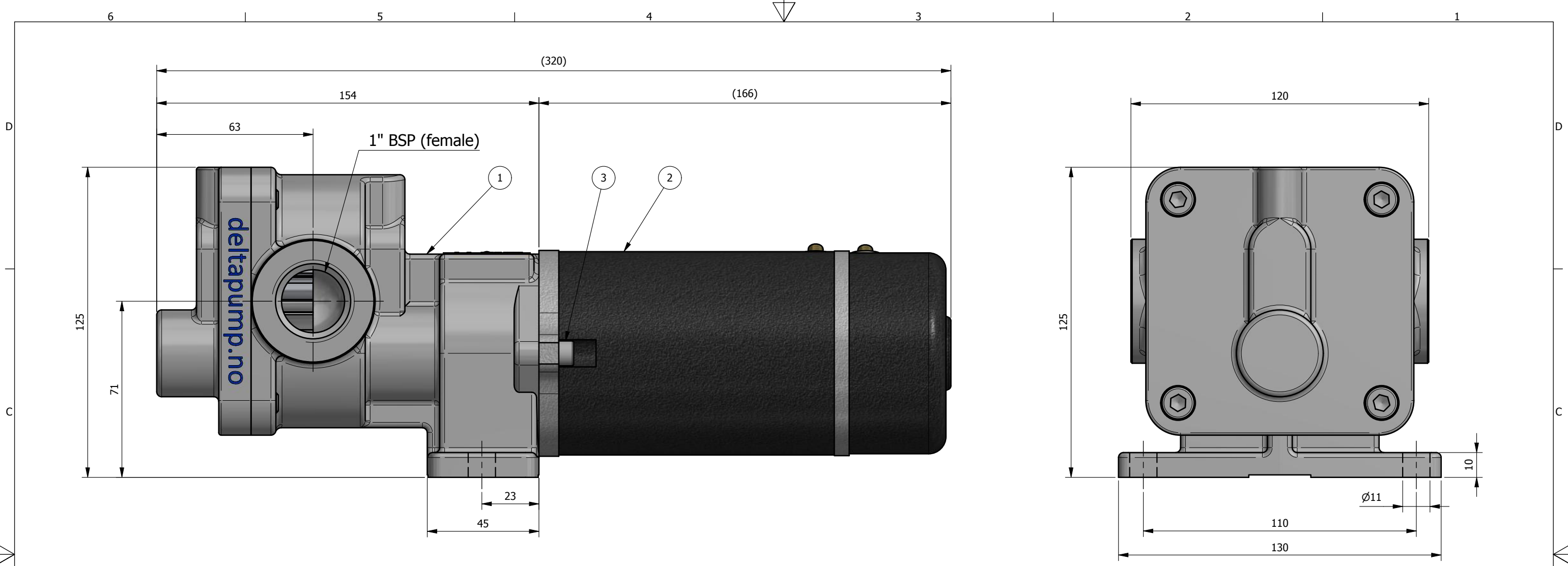


NOTES:

* A Name Plate, is mounted on the Pump

Material: -		Designed by		Date	Deltapump AS	SINCE 1878 deltapump deltapump.no orgrn: 992 107 626
Unless otherwise specified: Dimensions are in MM		RSK	11/01/2021	11/01/2021	5537 Haugesund Norway	
Machining Tolerances are: NS-ISO-2768-1-M NS-ISO-2768-2-K		Checked by	Date	11/01/2021	Mass (kg)	This drawing and the information contained in it are proprietary and the sole property of DELTAPUMP A.S. and any use, reproduction or distribution, in whole or part, without the prior written consent is prohibited.
Surface Finish: Ra3.2 Size: A3 Do Not Scale		Approved by	Date	11/01/2021	1 of 1	
Projection Angle		Description:		Stock Number:		Drawing Reference:
		Delta 676 - Pump ASSY - OUTLINE		9-676		DP160079 Rev. 0

DELTA PUMP - Reserve "The Right" to change ALL OUTLINE DIMENSIONS without further notice!



DELTA 676 - 12V

Flow rate: 60l/min
 Hose dimension, inlet/outlet: 1" BSP (female)
 Suction height: 3-4 meters
 Rated power: 0,47kW
 Rated voltage: 12V DC
 Rated current: 63A
 Rated Speed: 3900 rpm
 Operation mode: MAX 5 min
 Protection class: IP55
 Rotation: CW
 Weight: 8.5kg (w/ motor)

ITEM	QTY	STOCK NUMBER	DESCRIPTION	MATERIAL
1	1	9-676	Delta 676 - Pump ASSY	-
2	1	250673	DC Motor 0,47 kW 12V 3900 rpm	Alu/Copper
3	2	250957	Socket Head Screw	12.9

Material: -

Unless otherwise specified: Dimensions are in MM
 Machining Tolerances are: NS-ISO-2768-1-M NS-ISO-2768-2-K
 Surface Finish: Ra3.2
 Size: A3 | Do Not Scale

Designed by	Date	Deltapump AS 5537 Haugesund Norway
RSK	11/01/2021	
Checked by	Date	Mass (kg)
	11/01/2021	8.47 kg
Approved by	Date	Sheet
	11/01/2021	1 of 1

Projection Angle:

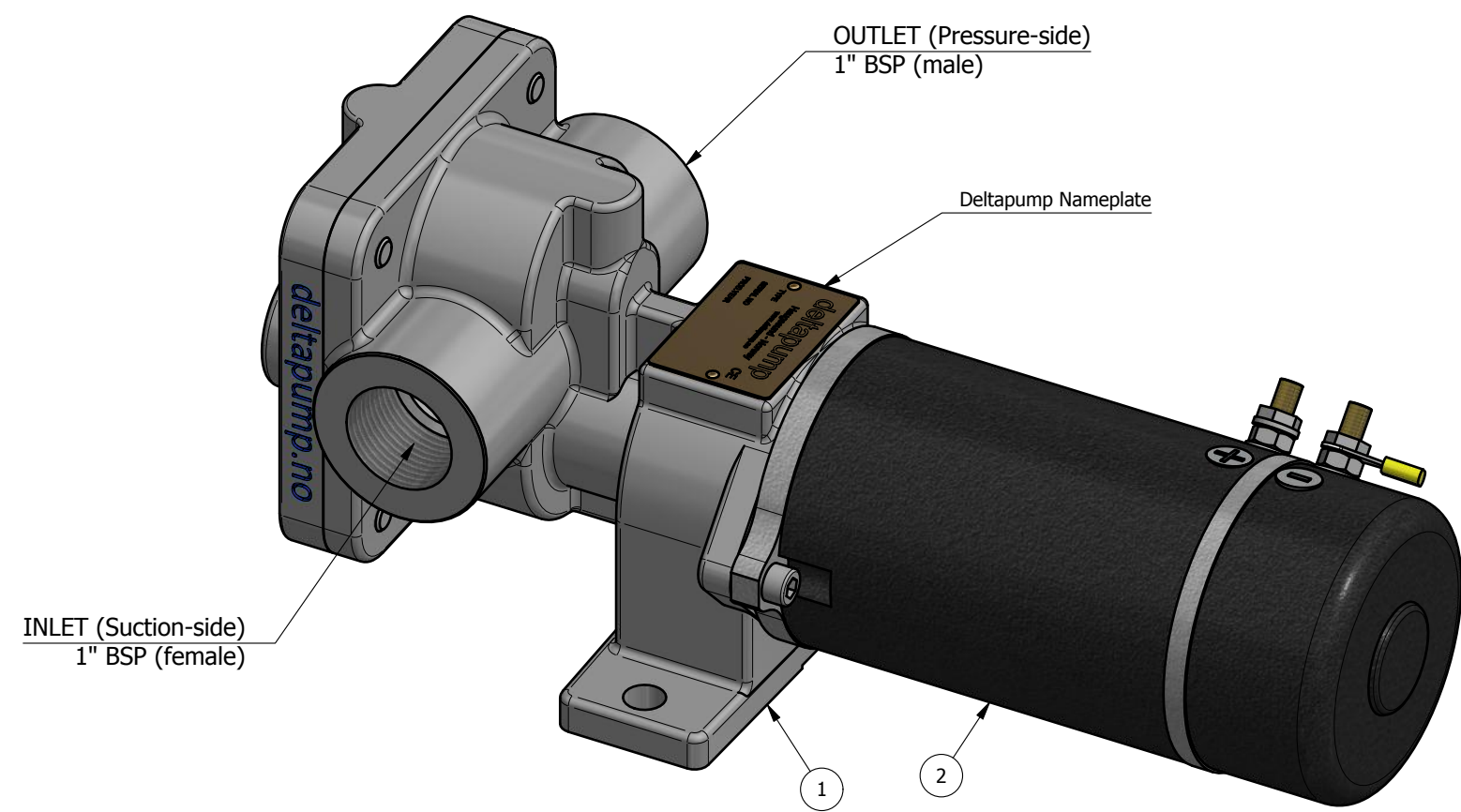
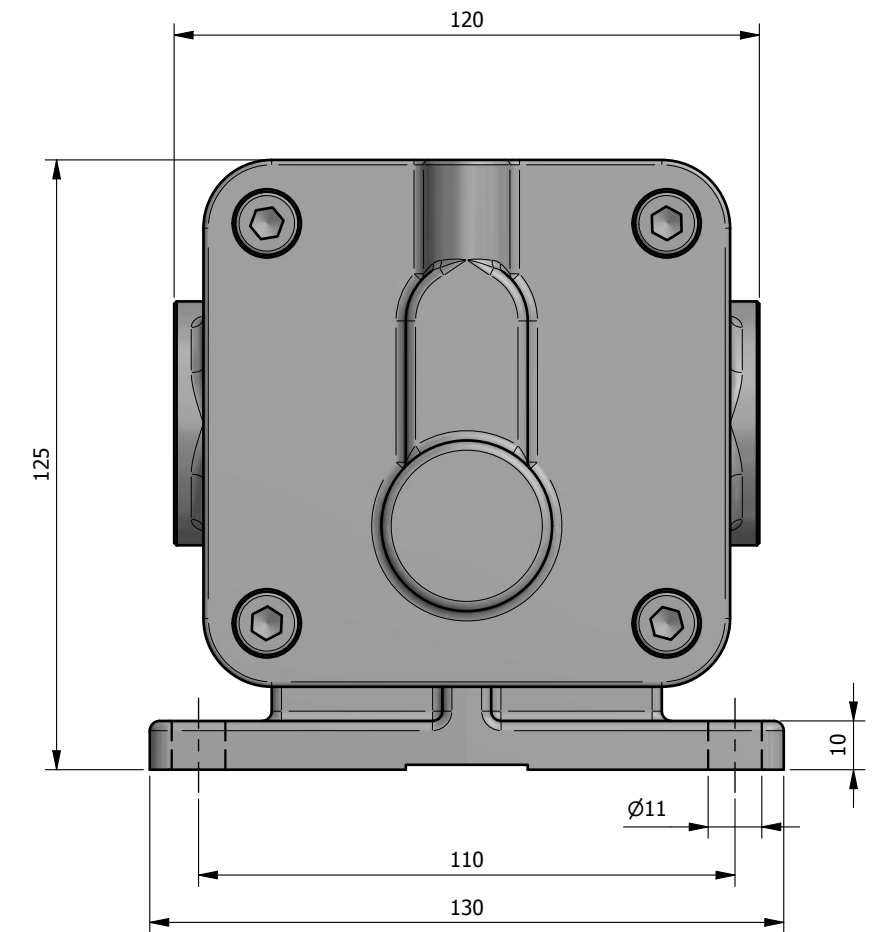
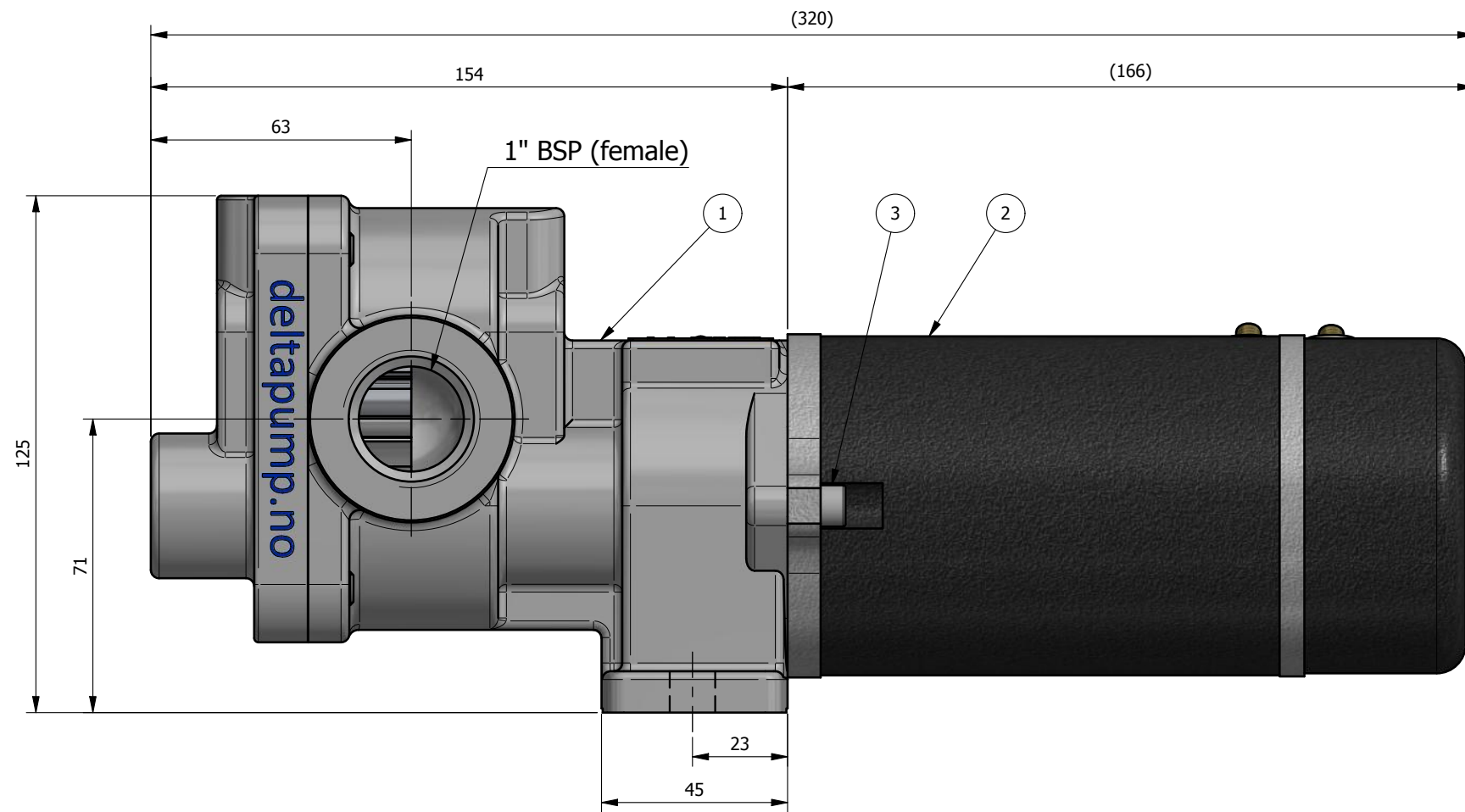
deltapump SINCE 1878
deltapump.no | orgnr: 992 107 626

This drawing and the information contained in it are proprietary and the sole property of DELTAPUMP A.S. and any use, reproduction or distribution, in whole or part, without the prior written consent is prohibited.

Description:	Stock Number:	Drawing Reference:
Delta 676 - Pump & 12V Motor - OUTLINE	9-676-12V	DP160080

Rev. 0

DELTA PUMP - Reserve "The Right" to change ALL OUTLINE DIMENSIONS without further notice!



DELTA 676 - 24V

Flow rate:	60l/min
Hose dimension, inlet/outlet:	1" BSP (female)
Suction height:	3-4 meters
Rated power:	0,47kW
Rated voltage:	24V DC
Rated current:	32,5A
Rated Speed:	3300 rpm
Operation mode:	MAX 6 min
Protection class:	IP55
Rotation:	CW
Weight:	8.5kg (w/ motor)

ITEM	QTY	STOCK NUMBER	DESCRIPTION	MATERIAL
1	1	9-676	Delta 676 - Pump ASSY	-
2	1	250672	DC Motor 0,47 kW 24V 3300 rpm	Alu/Copper
3	2	250957	Socket Head Screw	12.9

Material: -

Unless otherwise specified: Dimensions are in MM
Machining Tolerances are: NS-ISO-2768-1-M NS-ISO-2768-2-K
Surface Finish: Ra3.2
Size: A3 | Do Not Scale

Designed by	Date	Deltapump AS 5537 Haugesund Norway
Checked by	Date	Mass (kg)
Approved by	Date	Sheet

Projection Angle

Stock Number: 9-676-24V
Drawing Reference: DP160081
Rev. 0



DELTA PUMP - Reserve "The Right" to change ALL OUTLINE DIMENSIONS without further notice!